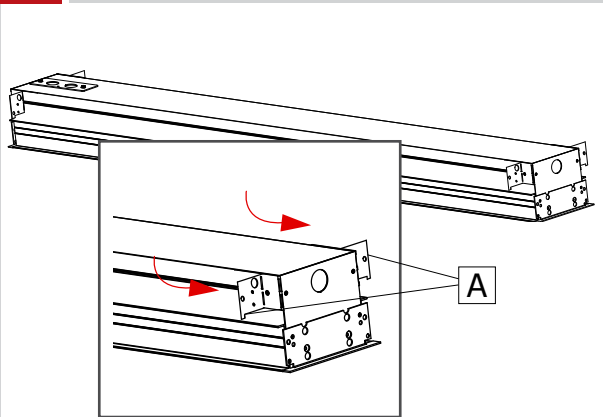


**IMPORTANT:** Installation instructions are shown with Via 4 and applies to all Via sizes

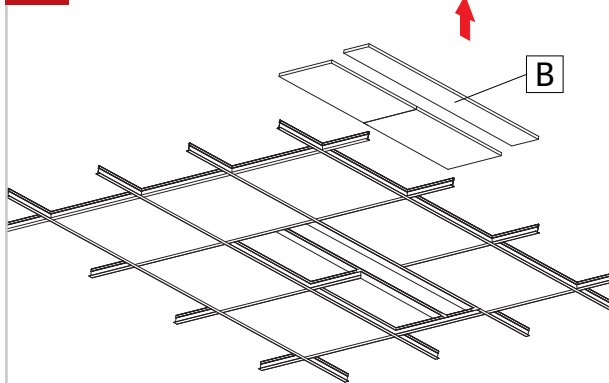
**NOTE:** Wire dimming conductors as Class 1

### 1 SINGLE FIXTURE



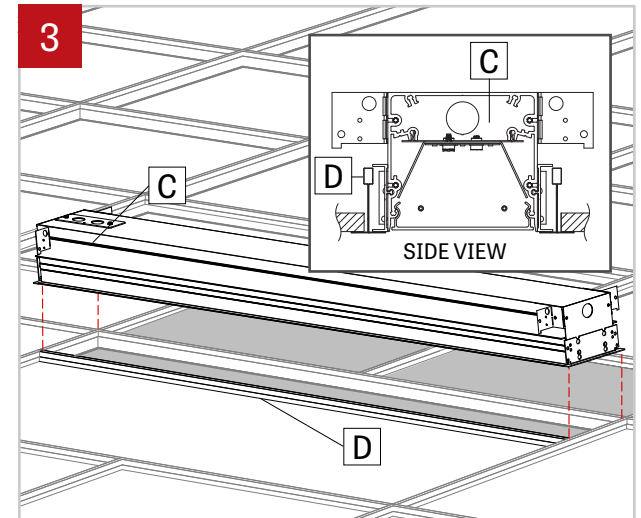
Make sure the power to the fixture is turned off. Bend the tabs (A) on the end of the fixture. For a continuous system, leave tabs close.

### 2



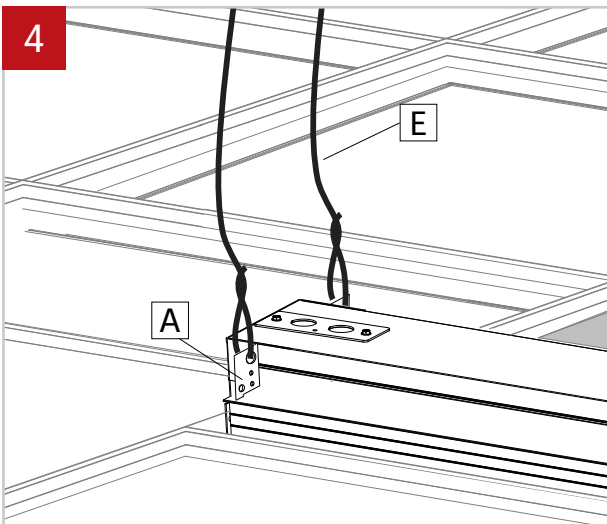
Remove ceiling tiles (B) where the fixture will be installed as well as the adjacent tiles for easy access during installation.

### 3



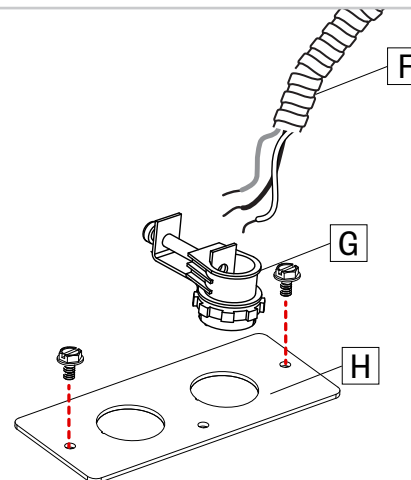
Raise the fixture above the ceiling and lower the fixture (C) onto the T-bars (D).

### 4



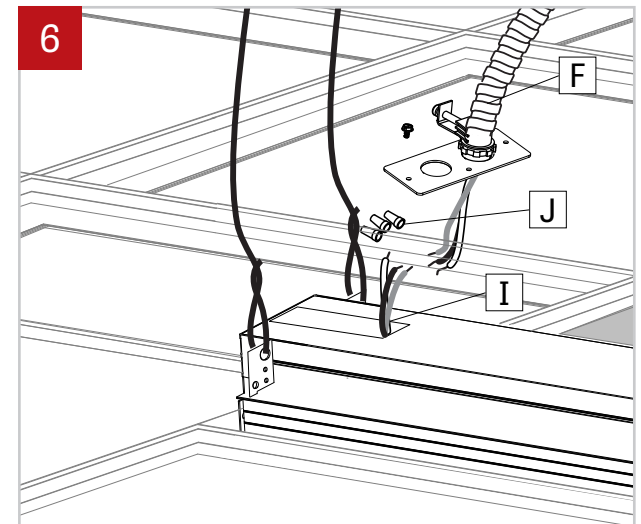
Safety wires (E) should be attached to the tabs (A).

### 5



Remove power plate (H) from fixture and install BX connector (G) (by other) and BX cable (F) (by other) through the power plate. Tighten BX connector (G) screw.

### 6



Connect cables from the BX cable (F) to the driver wires (I) using wire nuts (J). **Number of wires may vary.**

