

# VIA 2 PERIMETER

# LUMENWERX

RECESSED  
STATIC WHITE

Project: \_\_\_\_\_

Type: \_\_\_\_\_



Via 2 Perimeter creates a continuously illuminated "slot" at the wall/ceiling intersection. Lighted corners with an adjustable end sleeves are available. Via Perimeter installs in grid or drywall ceilings in a choice of three arrangements: level, shallow 1", and deep 3 3/4".



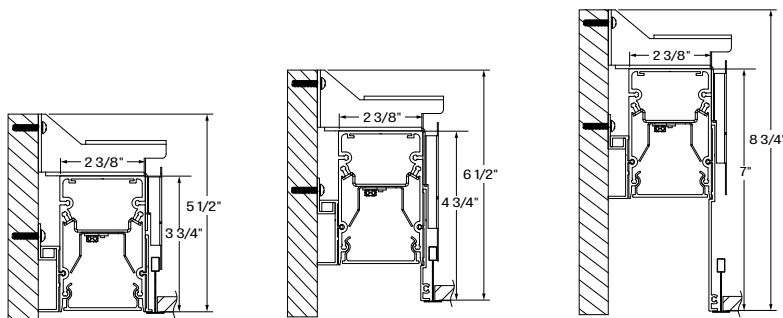
Up to 103 lm/W performance

## Order Guide

IC RATED

LUMINAIRE ID	OPTICS	LIGHT SOURCE <sup>1</sup>	CRI	LUMEN PACKAGE	COLOR TEMP.	LUMINAIRE LENGTH	VOLTAGE
	<b>HLO</b>	<b>SW</b>					
<b>V2PERL</b> - Via 2 Perimeter Level <b>V2PERS</b> - Via 2 Perimeter Shallow <b>V2PERD</b> - Via 2 Perimeter Deep	<b>HLO</b> - High-Efficiency Lambertian Optic	<b>SW</b> - Static white  <sup>1</sup> Chromawerx Solxa and Duo also available. Consult factory.	<b>80</b> - 80CRI <b>90</b> - 90CRI	<b>350</b> - Min. low output 350lm/ft <b>500</b> - Medium output 500lm/ft <b>750</b> - Max. high output 750lm/ft <b>####</b> - Other required lm/ft	<b>27</b> - 2700K <b>30</b> - 3000K <b>35</b> - 3500K <b>40</b> - 4000K	Standard sections - 2', 3', 4', 5', 8' & 12' For all other specify length <b>#FT</b> - nominal length in feet <b>#IN</b> - length in inches Continuous Run - for luminaires over 12' Minimum Individual section 2'	<b>120</b> - 120V <b>277</b> - 277V <b>UNV</b> - 120V-277V <b>347</b> <sup>2</sup> - 347V  <sup>2</sup> Only available with D1 driver option.
DRIVER <sup>2</sup>	ELECTRICAL	MOUNTING	FINISH	CONTROLS	OPTIONS		
<b>D1</b> - 1% 0-10V <b>DA</b> <sup>3</sup> - DALI <b>LTEA2W</b> - Lutron 1% - 2 wire FP 120V <b>LDE1</b> <sup>3</sup> - Lutron Hi-lume 1% Eco <b>ELD1</b> - eldoLED 1% ECOdrive 0-10V <b>ELDO</b> - eldoLED 0.1% SOLOdrive 0-10V  <sup>2</sup> PoE (Power-over-Ethernet) compatible. Consult factory for details. <sup>3</sup> On-site commissioning is required.	<b>1</b> - 1 circuit <b>+#EB</b> <sup>4</sup> - Emergency battery (min 4' fixture for Lutron) <b>+#EM</b> - Emergency light circuit <b>+#NL</b> - Night light circuit <b>+GTD</b> <sup>4</sup> - Generator transfer device  <sup>4</sup> Not available with 347V.	<b>TG9</b> - Tegular 9/16" <b>TG15</b> - Tegular 15/16" <b>TB9</b> - T-bar 9/16" <b>TB15</b> - T-bar 15/16" <b>ST</b> - Screw slot t-bar <b>DTR</b> - Drywall trim <b>DTL</b> - Drywall trimless <b>DMF</b> - Drywall mud flange	<b>W</b> - Matte white <b>CF#</b> - Custom finish, specify RAL#	<b>STANDALONE CONTROLS</b> <sup>5 6</sup> <b>OMS</b> - Onboard Occupancy <b>ODS</b> - Onboard Daylight <b>OCS</b> - Onboard Occupancy & Daylight <b>CONNECTED CONTROLS</b> <b>CCS()</b> - LU-Lutron, <b>EN</b> -Enlighted, <b>OS</b> -Osram  To specify see information on page 4. <sup>5</sup> Not available with shallow or deep fixtures. <sup>6</sup> Available with the D1 driver, and 1 circuit options only.	<b>NEF</b> - No end flanges (for wall-to-wall installations) <b>FUI20</b> - Fuse 120V <b>FU277</b> - Fuse 277V <b>FWC</b> - Flexible whip cable (6' std) <b>CP</b> - Chicago Plenum <b>NA</b> - None		

## Section View



**V2PERL** - Via 2 Perimeter Level    **V2PERS** - Via 2 Perimeter Shallow    **V2PERD** - Via 2 Perimeter Deep

**ADJUSTABLE SLEEVE**

**TES** - Optional adjustable end sleeve (for a minimum 5FT fixture length)

**IMPORTANT:** see page 5 when ordering a sleeve, TES.

TECHZONE™ & USG Compatible with 4" ceiling

3737 Cote Vertu St-Laurent, Quebec, Canada H4R 2C9  
T (514) 225-4304 F (514) 931-4862  
[www.lumenwerx.com](http://www.lumenwerx.com)



Lumenwerx reserves the right to modify product specifications without notification.  
© Lumenwerx, ULC. All rights reserved.  
VIA2PER-RECESSED-SPEC-REVO July 14, 2021



# VIA 2 PERIMETER

**LUMENWERX**

RECESSED  
STATIC WHITE

## Technical Specifications

### OPTICS

**HIGH EFFICIENCY LAMBERTIAN OPTIC (HLO)** - matte white side reflectors combined with High-Efficiency Lambertian Optic (HLO) shielding of diffusing 0.075" thick acrylic with up to 88% transmission and good source obscuration. Luminaire brightness is controlled by the flux-to-shielding area ratio.

### LIGHT SOURCE - LED

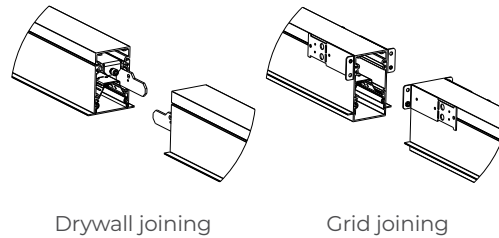
Custom linear array of mid-flux LEDs are cartridge-mounted with quick-connect wiring to facilitate service and thermal management. Available in 2700K, 3000K, 3500K and 4000K with a minimum 80 CRI and an option for 90 CRI with elevated R9 value. Color consistency maintained to within 3 SDCM. LEDs operated at reduced drive current to optimize efficacy and lumen maintenance.

All LEDs have been tested in accordance with IESNA LM-80-08 and the results have shown L80 lumen maintenance greater than 60,000 hours. Absolute product photometry is measured and presented in accordance with IESNA LM-79, unless otherwise indicated.

### LUMINAIRE LENGTH

All individual sections are joined together onsite using the joiner kits provided. Lumenwerx offers joiner kits that are extremely simple to work with in the field and result in a fixture that appears virtually seamless with no light leak at any connection.

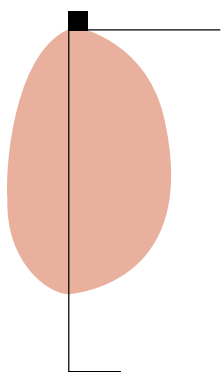
#### Joining system



HLO - Delivered Lumens at 35K at 80 CRI

	LUMEN/FT	TOTAL LUMEN/4FT	INPUT WATTS	LPW
	350	1400	13.5	103
	500	2000	20	101
	750	3000	29.5	102

### LIGHT DISTRIBUTION



V2PERD-HLO-  
LED-80-750-40-20  
Wall Luminaires: 20' run  
Lumen Output: 750 lm/ft  
Watts: 8.3 watts/ft  
Ceiling Height: 10'  
Efficacy: 90 lpw

### ELECTRICAL

Factory-set, adjustable output current LED driver with universal (120-277VAC) input. Dimmable from 100% to 1% with 0-10V dimming control. Rated life (90% survivorship) of 50,000 hours at 50°C max. ambient (and 70°C max. case) temperature. At maximum driver load: Efficiency>84%, PF>0.9, THD<20%. Other specifiable options include Lutron Hi-Lume 1% (specify 2-wire, or Ecosystem Dim-to-Off), eldoLED 1% ECOdrive 0-10V, eldoLED 0.1% SOLOdrive 0-10V, and DALI protocol drivers. All of our standard 0-10V drivers are NEMA 410 compliant.

### PoE

Depending on the PoE manufacturer selected, Lumenwerx will install the node in factory as either integral to the luminaire or as a remote module. Factory programming of the PoE node may or may not enable the following functionalities: lumen package, Duo (tunable white), emergency battery backup, and sensor integration. These must be addressed and evaluated on a case-by-case basis.

### EMERGENCY

Factory installed long life, high temperature, maintenance-free Lithium-Ion battery pack with self-test functionality, test switch and charge indicator. Minimum of 90 minutes operation, up to 10W (25°C) emergency lighting output and recharge time of 24 hours.

#### Foot Candles on 20' wide wall, 10' ceiling

156.9	154.3	162.4	152.9	153.0	152.9	152.9	163.0	154.4	157.5
14.8	14.1	13.1	12.7	12.6	12.6	12.7	13.1	14.2	15.8
8.6	8.0	7.2	6.9	6.8	6.8	6.8	7.2	8.1	8.7
7.0	6.5	6.0	5.8	5.8	5.8	5.9	6.1	6.5	7.0
6.2	5.9	5.5	5.6	5.9	5.9	5.7	5.5	5.9	6.4

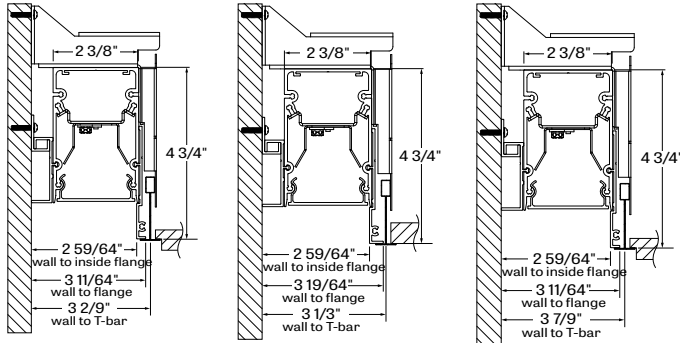
# VIA 2 PERIMETER

# LUMENWERX

RECESSED  
STATIC WHITE

## MOUNTING OPTIONS

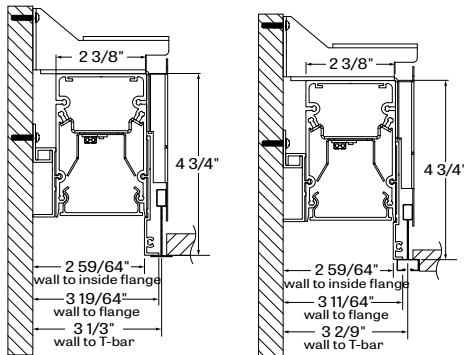
Recess mount into exposed or concealed T-Bar or Tegular grid ceiling.



TC9 - tegular 9/16"

TG15 - tegular 15/16"

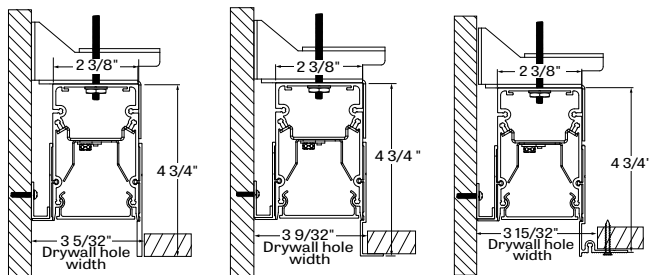
TB9 - t-bar 9/16"



TB15 - t-bar 15/16"

ST - screw slot t-bar

Mounting for drywall ceilings are available with visible trim, mud flange, trim or trimless.



DTL - drywall trimless

DTR - drywall trim

DMF - drywall mud flange

## FINISH

**Interior** - 95%, reflective matte powder coated white paint

**Exterior** - matte white powder coating. Custom finishes are also available.

## CONTROLS

Lumenwerx offers several options for integrating occupancy and daylight harvesting controls in our luminaires.

## STANDALONE CONTROLS

An integrated standalone sensor controls the luminaire in which it is installed. Depending on the length, more than one sensor may be necessary and may control the entire luminaire, or just a section of it. These controls operate independently. Unless otherwise agreed, location and functionality of the sensor within the luminaire are selected by Lumenwerx.

Three types are available:

**OMS:** An integral Passive InfraRed (PIR) sensor turns luminaires on and off automatically with field-adjustable time out period. No wall control is used. Coverage pattern for large motion has a 12' diameter with the sensor mounted 8' above the floor; for small motion, the pattern has an 8' diameter. Typically, one sensor is required for every 10' of a continuous luminaire run.

**ODS:** An integral, daylight harvesting sensor with closed-loop operation dims the luminaire in which it is installed in order to compensate for available daylight. The sensor measures the combination of daylight and luminaire light reflected from horizontal surfaces below the luminaire. Initial onsite calibration is required via the use of provided remote control.

**OCS:** Both an occupancy and a daylight sensor are installed in the luminaire.

# VIA 2 PERIMETER

# LUMENWERX

RECESSED  
STATIC WHITE

## **CONNECTED CONTROLS**

With Connected Controls, sensors or nodes installed in the luminaire form part of a larger control system infrastructure from manufacturers such as: Lutron\*, Enlighted, Osram, and others. These connected controls allow for a scalable system providing features like occupancy and daylight control, manual control, scheduling and configuration of various zones and scenes. Energy reporting and system monitoring are also possible. Specific capabilities depend on the control system being used. Lumenwerx installs the components (sensors, nodes, power packs, etc) which may be supplied to us by a third party, or procured directly by Lumenwerx, depending on the control system manufacturer.

Lumenwerx is solely responsible for the installation of specified components; the controls manufacturer is responsible for performance of the control system.

To indicate a Lumenwerx luminaire with Connected Controls, identify the specific onsite control system to be integrated into the luminaires using the ordering code. Due to the diversity of components, you must contact [controls@lumenwerx.com](mailto:controls@lumenwerx.com) to assure complete compatibility with intended control system and to fully specify the luminaire.

Complete control specifications, sensor/node/power pack layout, and narrative for the control system are required for Lumenwerx to create shop drawings and submittals.

\* Lumenwerx offers a Lutron Vive-Enabled fixture option using either the DFCSJ-OEM-OCC (OCS Option) or DFCSJ-OEM-RF (wireless only, no sensor) Integral Fixture Modules and a DALI or EcoSystem LED driver based on customer dimming requirements.

**Please contact our controls department at [controls@lumenwerx.com](mailto:controls@lumenwerx.com) for further assistance.**

## **CONSTRUCTION**

**Housing** - Extruded aluminum (0.095" nominal) up to 90% recycled content

**Interior brackets** - Die formed cold rolled sheet steel 18 gauge thick

**Joining system** - Die cast zinc (0.95" nominal) and die gormed galvanized sheet 18 gauge

**Reflectors** - Flat rolled aluminum sheet 0.040" thick precisely die formed, 95% reflective matte white painted

**Recessed flanges** - Extruded aluminum (0.075" nominal) up to 90% recycled content

**End plate** - Die formed cold rolled sheet steel 18 gauge thick

## **MAINTENANCE**

LED boards are housed in a removable cartridge for easy replacement. Driver is accessible from below.

## **WEIGHT**

**Via 2 Perimeter 4ft** - 11.12lbs - 5.05kg

**Via 2 Perimeter 8ft** - 22.25lbs - 10.1kg

**Via 2 Perimeter 12ft** - 33.48lbs - 15.2kg

## **CERTIFICATIONS**

**ETL** - Rated for Indoor Dry/Damp locations. Conforms to UL Standard 1598 and certified to CAN/CSA Standard C22.2 No. 250.0.

**IC rated** - suitable for direct contact with insulation.

## **WARRANTY**

Lumenwerx provides a five-year limited warranty of electrical and mechanical performance of the luminaires, including the LED boards, drivers, and auxiliary electronics. LumenWerx will repair or replace defective luminaires or components at our discretion, provided they have been installed and operated in accordance with our specifications.

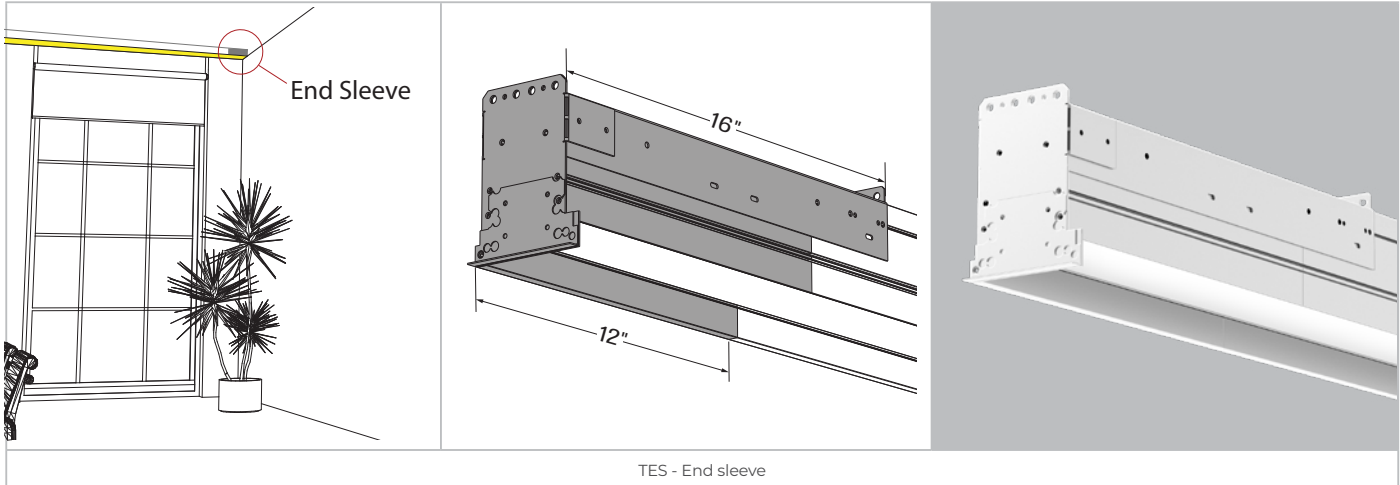
# VIA 2 PERIMETER

LUMENWERX

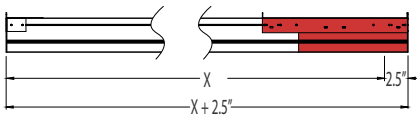
RECESSED  
STATIC WHITE

## ADJUSTABLE SLEEVE INSTALLATION

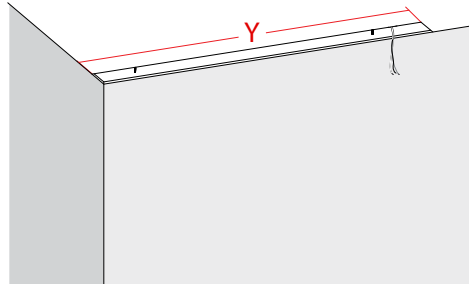
Adjustable sleeve is designed to provide on-site luminaire adjustability of +2.5" to -4.5". A sleeve accommodates an easy installation and maintenance. Available for fixtures over 5ft long. Please read the instruction below before you submit your order.



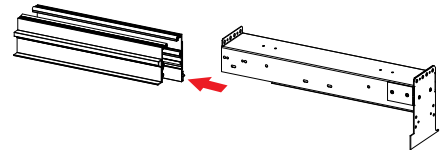
X = fixture measure provided by client  
X+2.5" = measurement built and supplied



STEP 1 - ACTUAL SIZE PRODUCT

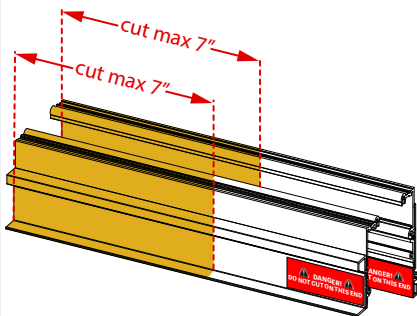


STEP 2 - MEASURE THE OPENING ON SITE

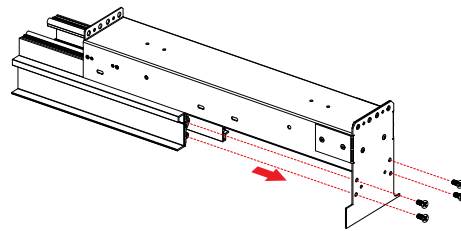


STEP 3 - REMOVE EXTRUSIONS FROM SLEEVE BASE

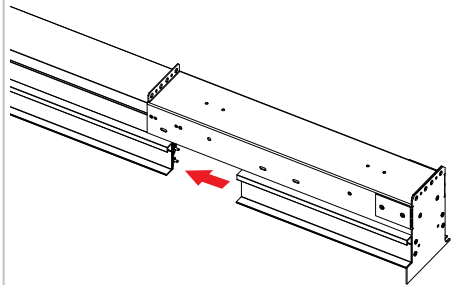
(X+2.5) - Y = length to cut the sleeve's extrusions



STEP 4 - CUT THE EXTRUSIONS



STEP 5 - PUT EXTRUSIONS BACK ON SLEEVE BASE



STEP 6 - RECONNECT SLEEVE BASE TO FIXTURE

FOR MORE DETAILS, SEE OUR WEBSITE FOR INSTALLATION INSTRUCTIONS BY CEILING AND MOUNTING TYPE