

# VIA 3 LED

PENDANT DIRECT/INDIRECT



**LUMENWERX**  
WWW.LUMENWERX.COM

## CHROMAWERX QUADRO - RGBW

**IMPORTANT: a qualified DMX integration consultant is required to ensure proper installation and function of any DMX network**



Shown with HLO flush

Shown with HLO 0.5" drop

Shown with HLO 1.0" drop

### DESCRIPTION

Elegant and flexible, the Via 3 Direct/Indirect pendant features the option of our Widespread Indirect Optics for smooth ceiling brightness. Via 3 Direct/Indirect can be configured in discrete luminaires, continuous runs, and patterns, with a wide range of lumen packages, color choices, and electrical and controls options. Via 3 Direct/Indirect is part of the larger Via family, which includes visually coordinated recessed and mounted luminaires, as well as other light distributions, including wall washing and asymmetric optics. Via 3 is an ideal vehicle for ChromaWerx color tuning in education, office, and healthcare applications where modular luminaires are used.

PROJECT: \_\_\_\_\_

TYPE: \_\_\_\_\_

NOTES: \_\_\_\_\_



### ORDER GUIDE

VIA3PDI	HLO		CLO	LED		
LUMINAIRE ID	DIRECT OPTICS	LENS POSITION	INDIRECT OPTICS	LIGHT SOURCE	CHROMAWERX	DIRECT OUTPUT WATTAGE
VIA3PDI - via 3" pendant direct/indirect	HLO - High-Efficiency Lambertian Optic	<b>FH</b> - Flush <b>0.5D</b> - 0.5" drop <b>1.0D</b> - 1.0" drop	CLO - Clear Lambertian Optic	LED - high performance LED	<b>QUADRO</b> - four-channel RGB with 3500K white <b>RS</b> - red solid <b>GS</b> - green solid <b>BS</b> - blue solid	<b>2.5WF</b> - 2.5 w/ft output (for solid colors only) <b>5WF</b> - 5 w/ft output (quadro only) <b>10WF</b> - 10 w/ft output (quadro only) <b>15WF</b> - 15 w/ft output (quadro only)

INDIRECT OUTPUT WATTAGE	LUMINAIRE LENGTH	VOLTAGE	DRIVER	ELECTRICAL
<b>2.5WF</b> - 2.5 w/ft output (for solid colors only) <b>3WF</b> - 3 w/ft output (quadro only) <b>5WF</b> - 5 w/ft output (quadro only) <b>7WF</b> - 7 w/ft output (quadro only)	Available sections - 4', 6', 8', 10' & 12' <b>#FT</b> - nominal length in feet <b>(2' increments only)</b> Continuous Run - for luminaires over 12' Minimum Individual section 4'	<b>120</b> - 120V <b>277</b> - 277V	<b>DMX</b> - to specify see pages 4 to 9 <b>DA</b> - Dali (solid colors only) local on-site commissioning is required <b>0-10</b> - 0-10 (solid colors only)	<b>1</b> 1 - 1 circuit

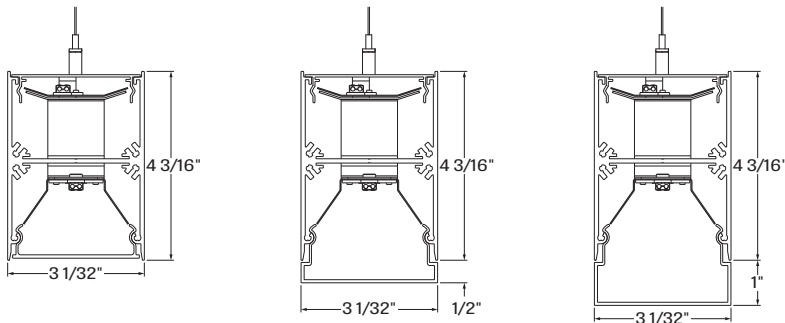
5WAC36		
MOUNTING	FINISH	OPTIONS
<b>53WAC36</b> - power 5" + non power 3" white canopy (36" air craft cable) <a href="#">For all other options refer to our Pendant Mounting Guide</a>	<b>W</b> - matte white <b>AL</b> - aluminum <b>B</b> - matte black <b>CF#</b> - custom finish specify RAL#	<b>FU</b> - fuse <b>TB#</b> - T-bar caddy clip specify grid size <b>TG#</b> - Tegular caddy clip specify grid size <b>ST</b> - Screw Slots caddy clip <b>CU</b> - custom

### DMX WALL CONTROLS

To specify see pages 4 to 9

See page 2 for ordering code detailed information

### CROSS SECTION



VIA3PDI - HLO-CLO

VIA3PDI - HLO-0.5D-CLO

VIA3PDI - HLO-1.0D-CLO

File Name: VIA3-RGBW-PENDANT-DIRECT-INDIRECT-SPEC

Page: 1/9

September 22, 2019



### CHROMAWERX QUADRO - RGBW

#### DIRECT OPTICS

**High Efficiency Lambertian Optic (HLO)** shielding of diffusing 0.075" thick acrylic provides up to 88% transmission and good source obscuration. Matte white reflectors distribute LED output across the shielding. Luminaire brightness is controlled by the ratio of luminous flux to shielding area. HLO is available as a flush diffuser or as a drop diffuser, extending 0.5" or 1.0" below the luminaire housing. Drop diffusers are extruded with glued end caps. HLO optics have a Spacing Criteria of 1.10.

#### INDIRECT OPTICS

The **Clear Lambertian Optic (CLO)** uses a single horizontal LED array and a clear acrylic cover to provide simple uplight with high efficiency.

#### LIGHT SOURCE - LED

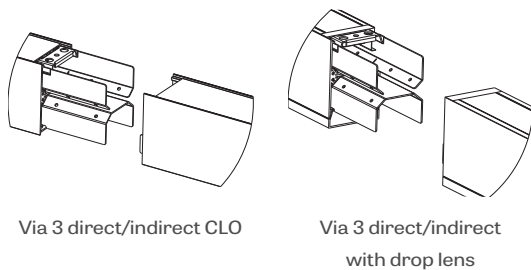
Custom linear array of mid-flux LEDs, comprised of an alternation of an RGB and a dedicated white LED. The white LED is used for when a static white CCT is required in the space. RGB LEDs are tightly binned for excellent color control between fixtures. The white LEDs have been tested in accordance with IESNA LM-80-08 and the results have shown L80 lumen maintenance greater than 60,000 hours. Absolute product photometry is measured and presented in accordance with IESNA LM-79, unless otherwise indicated.

#### LUMINAIRE LENGTH

Via 3 is made up of standard 4, 6, 8, 10 and 12 foot sections that may be joined together to create longer continuous run lengths. Exact run length must be noted in the product code. The minimum individual section available is 4 foot, and continuous run lengths can be ordered in 2 foot increments.

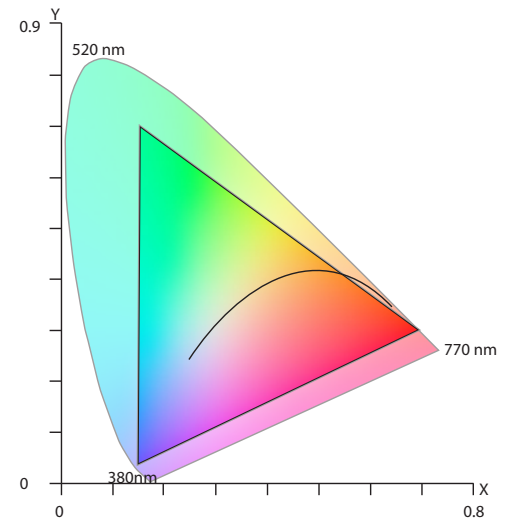
All individual sections are joined together onsite using the joiner kits provided. LumenWerx offers joiner kits that are extremely simple to work with in the field and result in a fixture that appears virtually seamless with no light leak at any connection.

#### Joining system



#### CHROMAWERX - RGBW

**ChromaWerx Quadro** is a four-channel control that operates an RGBW LED array and addresses the need for more expressive color in architectural applications. The DMX driver supports familiar programming tools for both dynamic multi-hued color and precise white color point control. While a typical user interface will be a DMX controller by others, LumenWerx also offers a simple control station for stand-alone color changing applications.



CIE 1931 Chromaticity space

The above diagram overlays the full gamut of colors attainable with the RGBW on top of the CIE 1931 color space. Any color point inside of the triangle can be obtained by setting the correct output levels for each of the individual red, green, blue, and white channels.

#### ELECTRICAL

##### DMX

Factory-set, adjustable output current, multi-channel LED driver with universal (120-277VAC) input. Using DMX wall controls (optionally supplied by LumenWerx) or an existing DMX control system, four channels of LEDs (Red/Green/Blue/White) are independently adjustable. Each DMX driver has multiple output channels that can be independently addressed at the factory or on-site using built-in RDM (Remote Device Management) functionality. Dimming range from 100%-0%. At maximum driver load, efficiency<89%, PF>0.9, THD<20%.

## CHROMAWERX QUADRO - RGBW

**MOUNTING OPTIONS**

Fixtures can be pendant-mounted, using aircraft cables.

Unless otherwise specified, LumenWerx provides the following hardware:

**For cable-mounted fixtures** - 53WAC36 (5" white canopy for all power mounting point, 3" white canopy for non power mounting point, and a 36" cable)

**Caddy clips**, if required specify under **OPTIONS**

[For all other options, see our website for a detailed Pendant Mounting Guide](#)

**FINISH**

**Interior** - 95%, reflective matte powder coated white paint

**Exterior** - matte white, matte black or aluminum powder coating.

Custom finishes are also available.

**CONSTRUCTION**

**Housing** - Extruded Aluminum (0.095" nominal) up to 90% Recycled Content

**Interior brackets** - Die formed cold rolled sheet steel 18 gauge thick

**Joining system** - Die cast Zinc (0.95" nominal)

**Reflectors** - Cold rolled steel 0.024" thick precisely die formed, 95% reflective matte white painted

**End caps** - Die cast Aluminum (0.95" nominal)

**Hanger** - Chromed Griplock securely attached with spring steel hardware in end caps and/or joiners

**Air craft cable suspension** - 7x7 braids Aluminum air craft cable 0.06" thick

**WEIGHT**

**Via 3 4ft** - 13.23lbs - 6.0kg

**Via 3 8ft** - 26.48lbs - 12.0kg

**Via 3 12ft** - 39.84lbs - 18.0kg

**CERTIFICATIONS**

**ETL** - Rated for Indoor Dry/Damp locations. Conforms to UL Standard 1598 and certified to CAN/CSA Standard C22.2 No. 250.0.

**WARRANTY**

For all ChromaWerx products, LumenWerx provides a three-year limited warranty of electrical and mechanical performance of the luminaires, including the LED boards, drivers, and auxiliary electronics. LumenWerx will repair or replace defective luminaires or components at our discretion, provided they have been installed and operated in accordance with our specifications. Other limitations apply, please refer to the full warranty on our website.

Wall controllers are covered by the manufacturer warranty.

CHROMAWERX QUADRO - RGBW

QUADRO DMX SPECIFICATION

A qualified DMX integrator is required to assure proper installation and commissioning of the DMX network. **When placing the PO, please provide the contact information of your DMX integrator.**

Please answer the following questions to help us identify your DMX network requirements.

YES

Do you require a wall controller provided by Lumenwerx?

NO

DMX control system supplied by others. Lumenwerx will supply DMX-enabled fixtures with default DMX addressing. See following pages for technical DMX informations. ✓

DMX controller supplied by Lumenwerx

**How many zones do you have?**  
A zone consists of one or more luminaires behaving identically.



1 Zone



2 Zones

**How to calculate the required number of drivers:**

per 4' fixture  
**Driver**  
1x driver  
Less than 12.5W/ft, direct only

per 4' fixture  
**Driver Driver**  
2x driver  
Above 12.5W/ft or for all direct/indirect fixture

To Calculate # of drivers

1 Zone

2 to 3 Zones

4 or more Zones

Do you have more than 32 drivers in total?

NO

YES

Order a standard Lumenwerx wall controller type 1.

**WALL CONTROLLER**

**WC1W** - wall controller 1 white  
**WC1B** - wall controller 1 black

Add the control code at the end of your order code. Please provide a fixture layout or RCP (Reflected Ceiling Plan) showing the locations of the DMX fixtures, zones and the DMX wall controller. Refer to your DMX integrator for the installation. ✓

Subject to factory evaluation. Please contact our controls specialist at [controls@lumenwerx.com](mailto:controls@lumenwerx.com). Additional cost and equipment will be required. ✓

NO

YES

Order a standard Lumenwerx wall controller type 2.

**WALL CONTROLLER**

**WC2W** - wall controller 2 white  
**WC2B** - wall controller 2 black

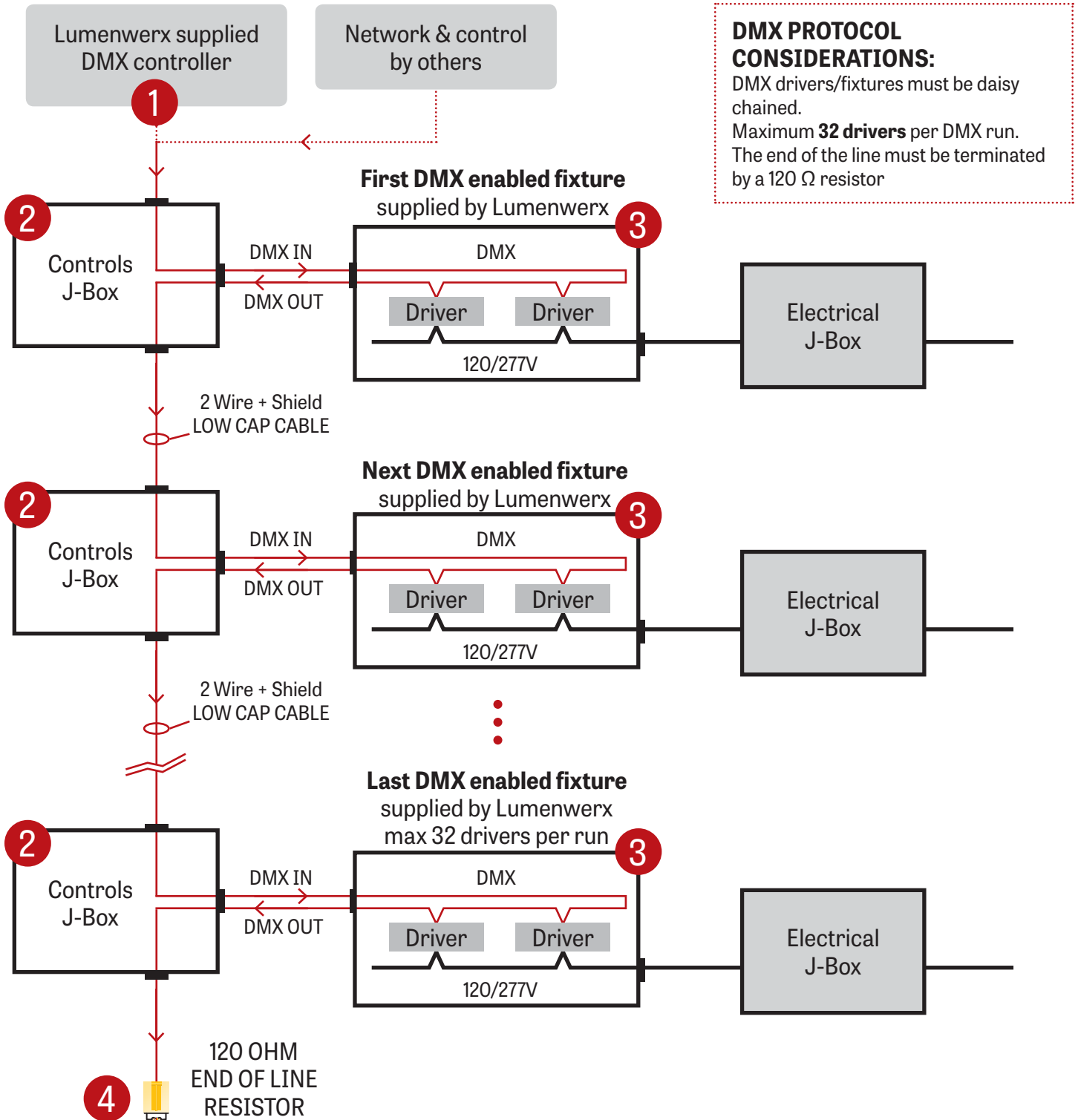
Add the control code at the end of your order code. Please provide a fixture layout or RCP (Reflected Ceiling Plan) showing the locations of the DMX fixtures, zones and the DMX wall controller. Refer to your DMX integrator for the installation. ✓

Subject to factory evaluation. Please contact our controls specialist at [controls@lumenwerx.com](mailto:controls@lumenwerx.com). Additional cost and equipment will be required. ✓

Subject to factory evaluation and approval. Please contact our controls specialist at [controls@lumenwerx.com](mailto:controls@lumenwerx.com). Additional cost and equipment will be required. ✓

CHROMAWERX QUADRO - RGBW

GENERIC DMX NETWORK ARCHITECTURE

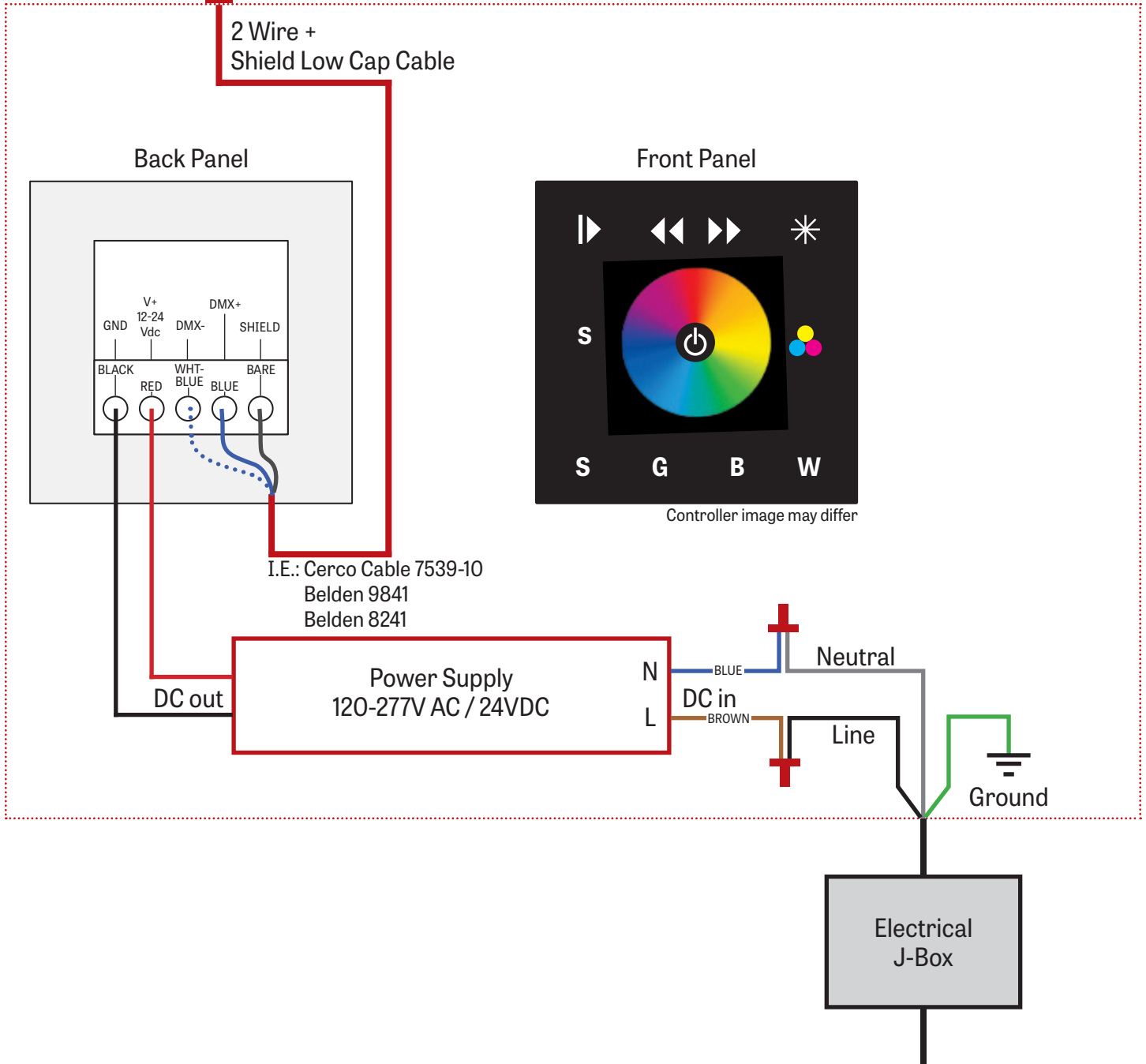


CHROMAWERX QUADRO - RGBW

1 LUMENWERX SUPPLIED DMX CONTROLLER

To the first fixture

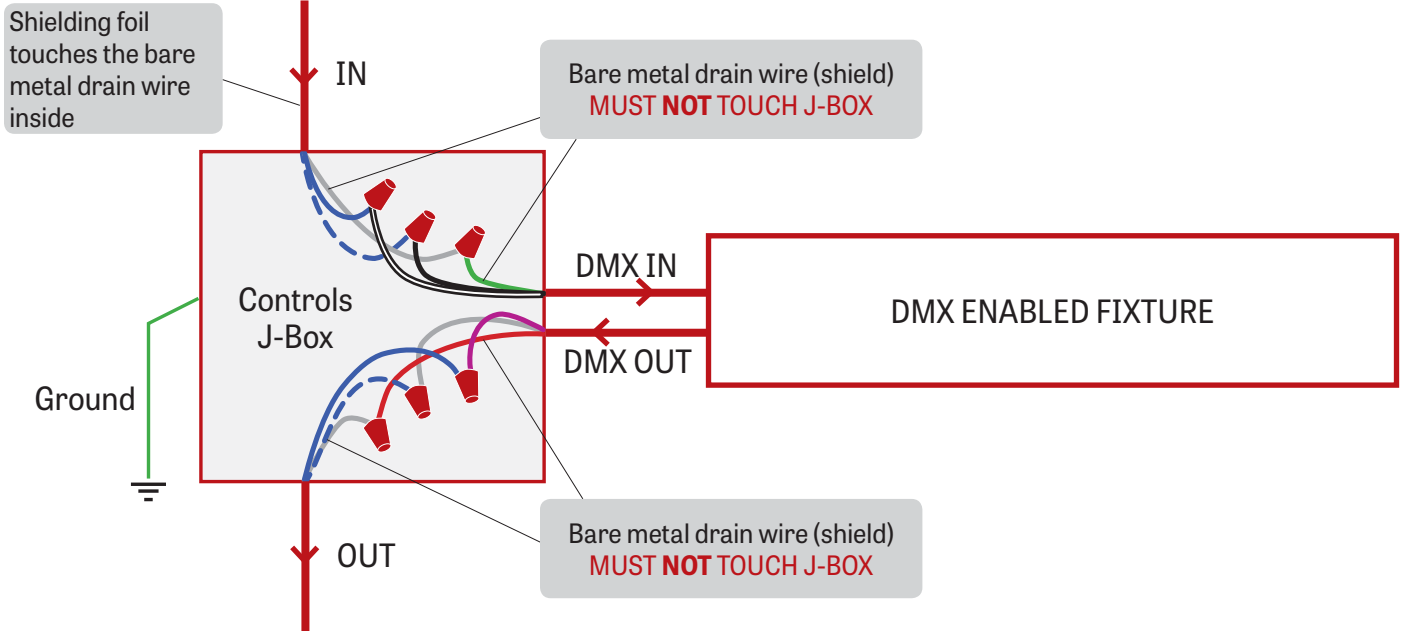
WALL BOX SUPPLIED BY OTHERS



CHROMAWERX QUADRO - RGBW

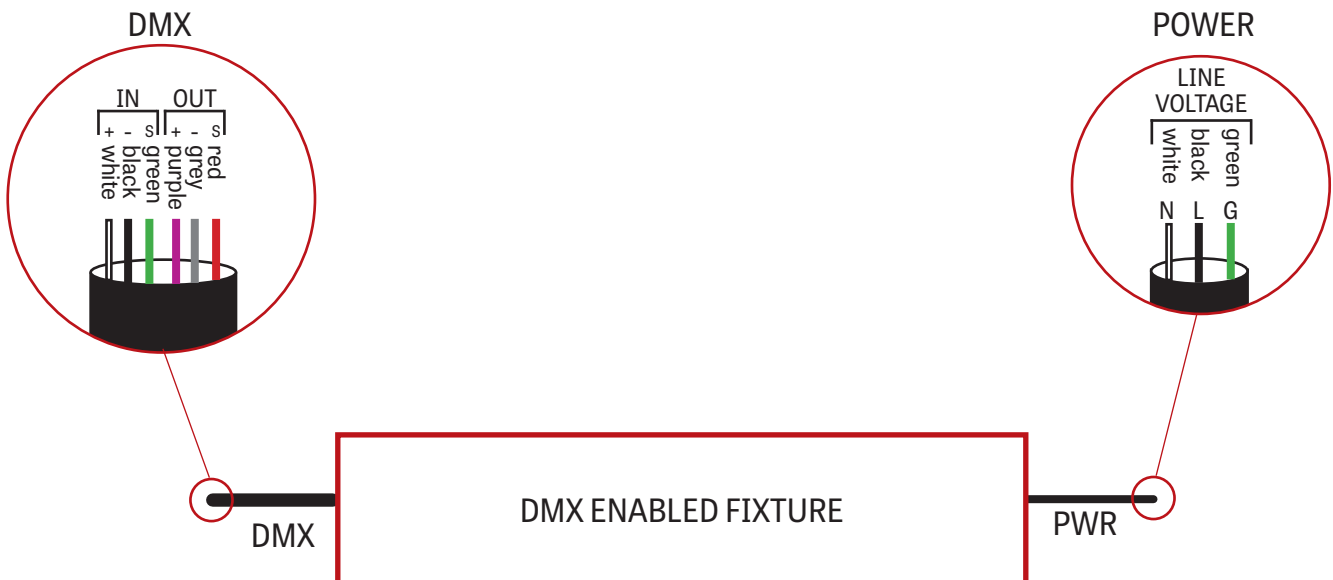
2 J-BOX DMX DAISY CHAIN DETAIL

Low capacitance DMX Cable from Previous Fixture



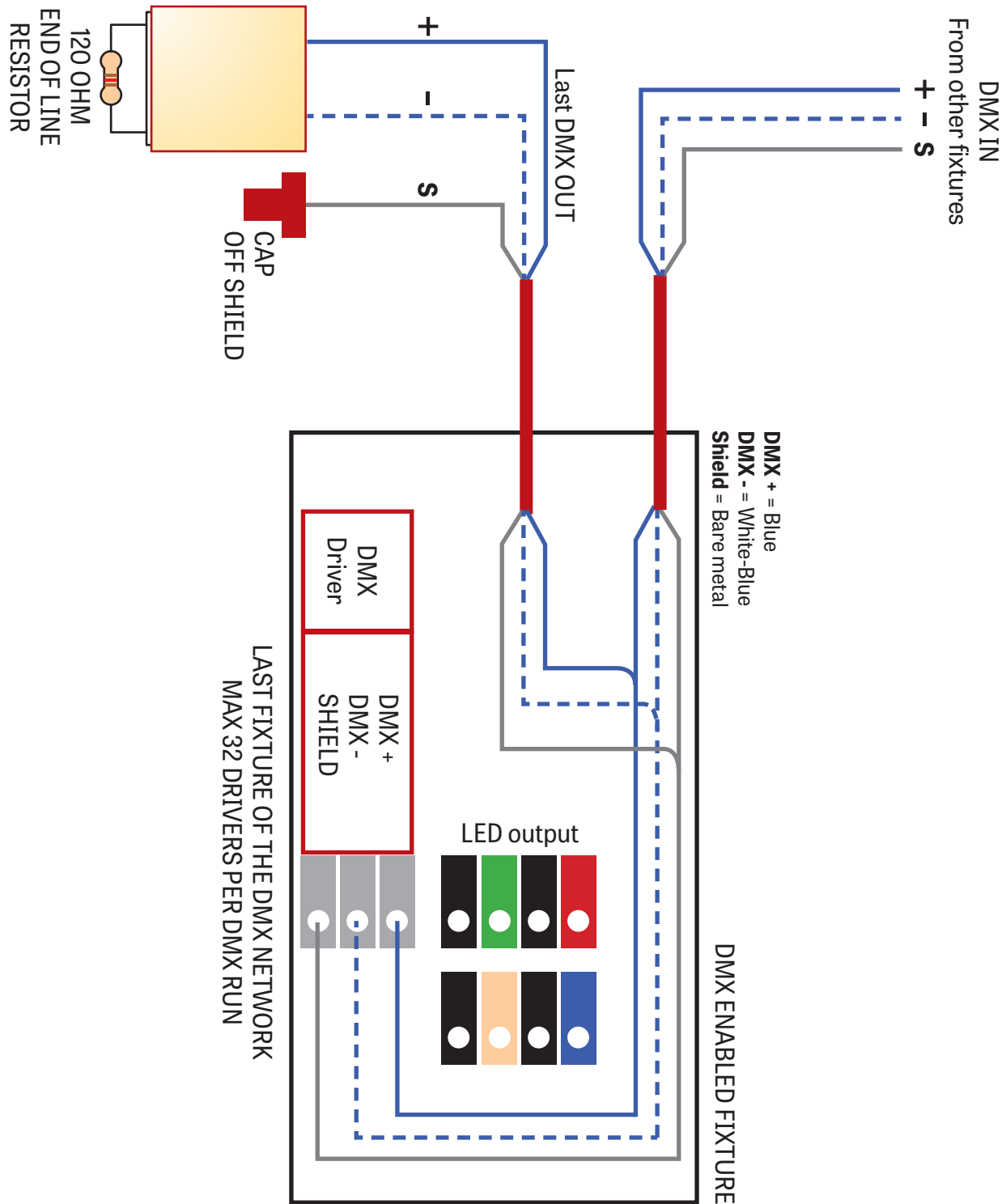
Low capacitance DMX cable to next fixture

3 DMX CONNECTION PENDANT & WALL



CHROMAWERX QUADRO - RGBW

4 DMX LAST FIXTURE DETAIL

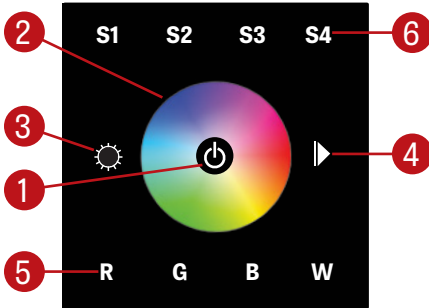




## CHROMAWERX QUADRO - RGBW

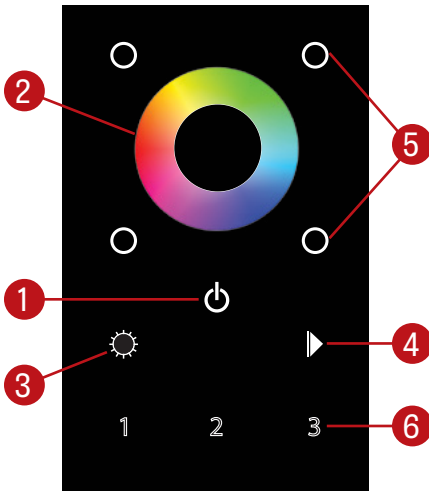
### DMX WALL CONTROLLER

#### WC1



- (1) Power: Use this button to turn ON or OFF the RGBW fixture
- (2) Color Wheel: The wheel is used to rapidly select a color
- (3) Brightness (RGB): Hold down this button to either increase or decrease the brightness of the current RGB selection. White will not be affected by the RGB brightness button.
- (4) Color Cycle: This button will start an animation, rotating between Reds Greens and Blues, the arrows allows the user to speed up or slow down the animation
- (5) Individual Colors: By pressing and holding a color it will be possible to brighten or dim it. Quickly pressing a color will turn it OFF or turn it ON to it's previous dim level.  
White: In Order to activate or deactivate and dim the White channel, the White button needs to be used.
- (6) Scenes: By holding down one of the scenes button, the current color selection is saved. It can be later accessed by quickly pressing on one of the Scene buttons.

#### WC2



- (1) Power: Use this button to turn ON or OFF the RGBW fixture
- (2) Color Wheel: The wheel is used to rapidly select a color
- (3) Brightness: Hold down this button to either increase or decrease the brightness of the current RGB selection. White will not be affected by the RGB brightness button.
- (4) Color Cycle: This button will start an animation, rotating between Reds Greens and Blues, the arrows allows the user to speed up or slow down the animation
- (5) Individual Colors: By pressing a color it will be possible to brighten or dim that specific color White: In Order to activate or deactivate and dim the White channel, the White button needs to be used.
- (6) Zone: By holding down one of the zone button, a zone can be selected and control

#### Default DMX Addresses:

- 1 Red
- 2 Green
- 3 Blue
- 4 White