

# VIA 3 PERIMETER LED - PATTERNS



V3PERDPAT - via 3 perimeter deep pattern

## DESCRIPTION

**Via Perimeter 3** creates a continuously illuminated "slot" at the wall/ceiling intersection. Lighted corners with an adjustable end and middle sleeves are available. Via Perimeter installs in grid or drywall ceilings in a choice of three arrangements: level, shallow 1", and deep 3 1/4".

PROJECT: \_\_\_\_\_

TYPE: \_\_\_\_\_

NOTES: \_\_\_\_\_



up to 100 lm/w performance

IC RATED

## ORDER GUIDE

LUMINAIRE ID	HLO	LED	CRI	LUMEN PACKAGES	COLOR TEMP.	PATTERN LENGTH
<b>V3PERLPAT</b> - Via 3 perimeter levelled pattern <b>V3PERSPAT</b> - Via 3 perimeter shallow pattern <b>V3PERDPAT</b> - Via 3 perimeter deep pattern	<b>HLO</b> - High-Efficiency Lambertian Optic	<b>LED</b> - High performance LED	<b>80</b> - 80CRI <b>90</b> - 90CRI	<b>500</b> - Min. low output 500lm/ft <b>750</b> - Medium output 750lm/ft <b>1000</b> - Max. high output 1000lm/ft <b>####</b> - Other required lm/ft	<b>27</b> - 2700K <b>30</b> - 3000K <b>35</b> - 3500K <b>40</b> - 4000K	<b>#FT</b> - Nominal length in feet <b>#IN</b> - Length in inches Continuous Run - for luminaires over 12'

CORNER TYPE	CORNERS DEGREE	VOLTAGE	DRIVER	ELECTRICAL	MOUNTING
<b>LEVO</b> - Leveled outside corner <b>LEVI</b> - Leveled inside corner	<b>90</b> - 90 degrees <b>#</b> - other degrees	<b>120</b> - 120V <b>277</b> - 277V <b>UNV</b> - 120V-277V <b>347</b> - 347V (not available with Lutron)	<b>D1</b> - 1% 0-10V <b>DA</b> - DALI <b>LTEA2W</b> - Lutron 1% - 2 wire FP 120V <b>LDE1</b> - Lutron Hi-lume 1% Eco <b>LDE5</b> - Lutron 5% EcoSystem	<b>1</b> - 1 circuit <b>+#EB</b> - Emergency battery (min 4' fixture, except Lutron) <b>+#EM</b> - Emergency light circuit <b>+#NL</b> - Night light circuit <b>+GTD</b> - Generator transfer device	<b>TG9</b> - Tegular 9/16" <b>TG15</b> - Tegular 15/16" <b>TB9</b> - T-bar 9/16" <b>TB15</b> - T-bar 15/16" <b>ST</b> - Screw slot t-bar <b>DTR</b> - Drywall trim <b>DTL</b> - Drywall trimless <b>DMF</b> - Drywall mud flange

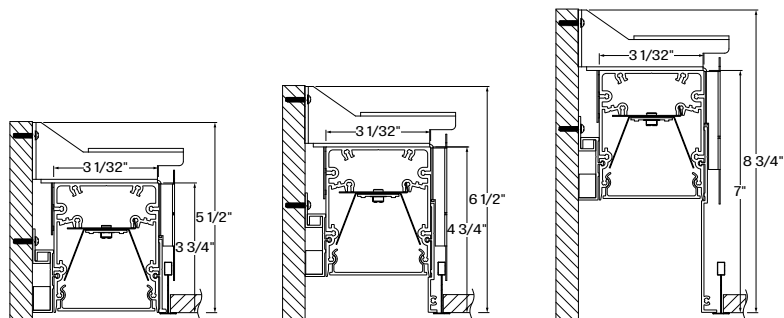
FINISH	CONTROLS	OPTIONS
<b>W</b> - Matte white <b>CF#</b> - Custom finish specify RAL#	<b>STANDALONE CONTROLS</b> <sup>1&amp;2</sup> <b>OMS</b> - Onboard Occupancy <b>ODS</b> - Onboard Daylight <b>OCS</b> - Onboard Occupancy & Daylight <b>CONNECTED CONTROLS</b> <b>CCS()</b> - <b>LU</b> -Lutron, <b>EN</b> -Enlighted, <b>OS</b> -Osram, <b>CR</b> -Crestron.  To specify see information on page 4 <sup>1</sup> Not available with shallow or deep fixtures. <sup>2</sup> Available with the 0-10V dimming, and 1 circuit options only.	<b>FU</b> - Fuse <b>FWC</b> - Flexible whip cable (6' std) <b>CP</b> - Chicago Plenum <b>CU</b> - Custom

ADJUSTABLE SLEEVE
<b>TES</b> - Optional adjustable end sleeve (for a minimum 5FT fixture length) <b>#TMS</b> - Optional adjustable mid sleeve (for a minimum 5FT fixture length, maximum 1 sleeve per section)

**IMPORTANT:** see page 6 when ordering a sleeve. TES & TMS

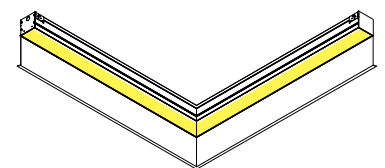
## CROSS SECTION

See page 2 for ordering code detailed information



V3PERL - via 3 perimeter levelled    V3PERS - via 3 perimeter shallow    V3PERD - via 3 perimeter deep

## 3D VIEW



V3PERDPAT - via 3 perimeter deep pattern

TECHZONE™ & USG Compatible

File Name: VIA3PER-PAT-RECESSED-SPEC

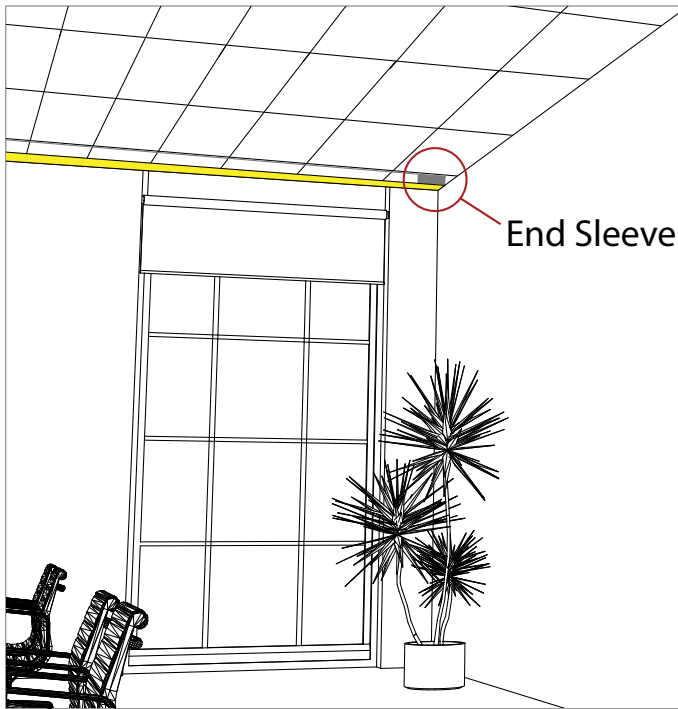
Page: 1 / 8

June 26, 2020

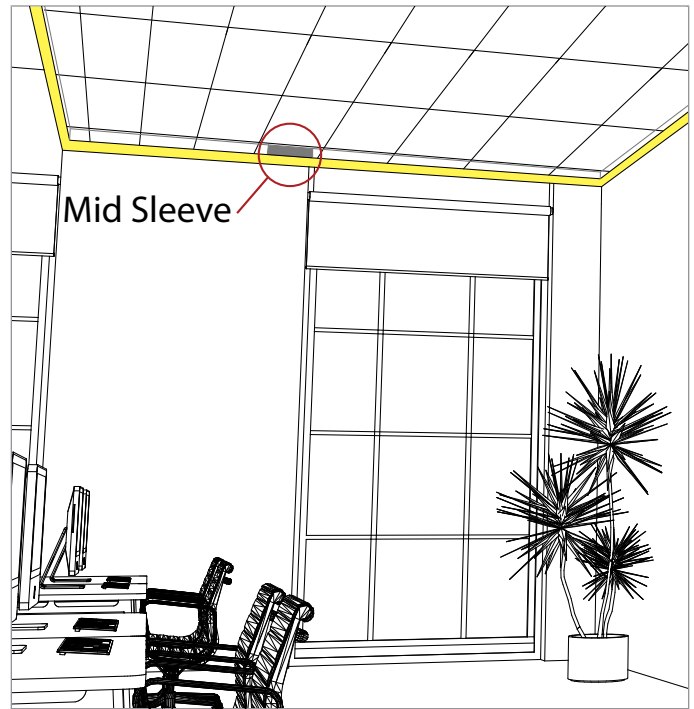


# VIA 3 PERIMETER LED - PATTERNS

## PATTERN - LEVELED CORNER WITH END SLEEVE



## PATTERN - LEVELED CORNER WITH MID SLEEVE



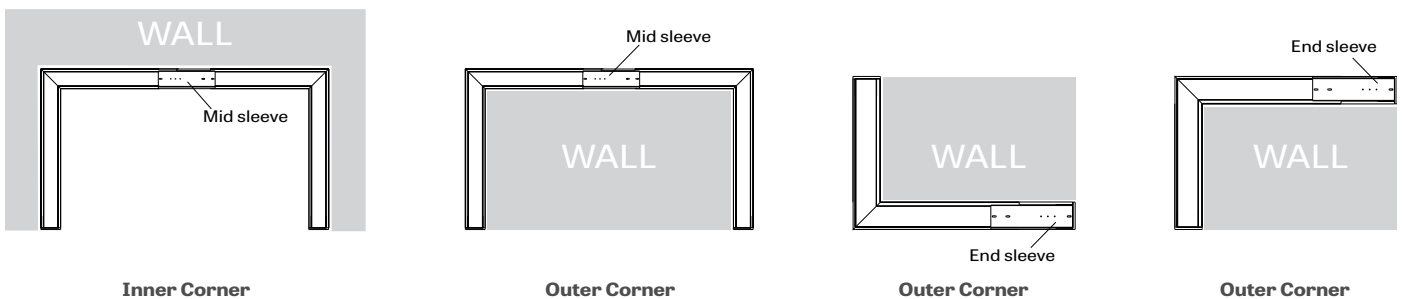
### HOW TO SPECIFY A PATTERN?

Please follow these steps when specifying in order to be as precise as possible.

- (1) We require a drawing illustrating the pattern you are trying to achieve - anything from a simple line drawing to elaborate architectural drawings will suffice. Please mark clearly on the drawing the location of the wall.
- (2) Under **PATTERN LENGTH**, enter the overall length of your pattern - either in feet or inches.
- (3) Under **CORNER TYPE**, please enter LEVO for leveled outside corner or LEVI for leveled inside corner.
- (4) Under **CORNERS DEGREE**, please enter the angle in degrees of each corner required to complete your pattern (for example 90+90+90).
- (5) Under **TELESCOPIC SLEEVE**, please enter the quantity and type of sleeve if applicable.

PATTERN LENGTH	CORNER TYPE	CORNERS DEGREE	ADJUSTABLE SLEEVE
#FT - nominal length in feet #IN - length in inches Continuous Run - for luminaires over 12'	LEVO - leveled outside corner LEVI - leveled inside corner	90 - 90 degrees # - other degrees	TES - optional adjustable end sleeve (for a minimum 5FT fixture length) #TMS - optional adjustable mid sleeve (for a minimum 5FT fixture length, maximum 1 sleeve per section)

### MID SLEEVE AND END SLEEVE APPLICATION



# VIA 3 PERIMETER LED - PATTERNS

## OPTICS

**HIGH EFFICIENCY LAMBERTIAN OPTIC (HLO)** - matte white side reflectors combined with High-Efficiency Lambertian Optic (HLO) shielding of diffusing 0.075" thick acrylic with up to 88% transmission and good source obscuration. Luminaire brightness is controlled by the flux-to-shielding area ratio.

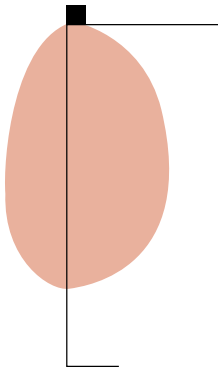
## LIGHT SOURCE - LED

Custom linear array of mid-flux LED's are cartridge-mounted with quick-connect wiring to facilitate service and thermal management. Available in 2700K, 3000K, 3500K and 4000K with a minimum 80 CRI and an option for 90 CRI with elevated R9 value. Color consistency maintained to within 3 SDCM. LEDs operated at reduced drive current to optimize efficacy and lumen maintenance. All LEDs have been tested in accordance with IESNA LM-80-08 and the results have shown L80 lumen maintenance greater than 60,000 hours. Absolute product photometry is measured and presented in accordance with IESNA LM-79, unless otherwise indicated.

## PERFORMANCE PER 4' AT 4000K

LED output	Color Temp	Watts	Nominal Delivered Lumens	Efficacy LPW
low output	4000K	20	2000	100
medium output	4000K	31	3000	96
high output	4000K	42.5	4000	94

## LIGHT DISTRIBUTION



V3PERD-HLO-  
LED-80-750-40-20  
Wall Luminaires: 20' run  
Lumen Output: 750 lm/ft  
Watts: 8.3 watts/ft  
Ceiling Height: 10'  
Efficacy: 90 lpw

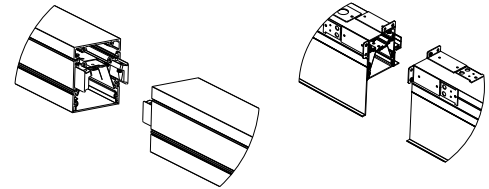
## Foot Candles on 20' wide wall, 10' ceiling

156.9	154.3	162.4	152.9	153.0	152.9	152.9	163.0	154.4	157.5
14.8	14.1	13.1	12.7	12.6	12.6	12.7	13.1	14.2	15.8
8.6	8.0	7.2	6.9	6.8	6.8	6.8	7.2	8.1	8.7
7.0	6.5	6.0	5.8	5.8	5.8	5.9	6.1	6.5	7.0
6.2	5.9	5.5	5.6	5.9	5.9	5.7	5.5	5.9	6.4

## LUMINAIRE LENGTH

All individual sections are joined together onsite using the joiner kits provided. LumenWerx offers joiner kits that are extremely simple to work with in the field and result in a fixture that appears virtually seamless with no light leak at any connection.

## Joining system



Drywall joining

Grid joining

## ELECTRICAL

Factory-set, adjustable output current LED driver with universal (120-277VAC) input. Dimmable from 100% to 1% with 0-10V dimming control. Rated life (90% survivorship) of 50,000 hours at 50°C max. ambient (and 70°C max. case) temperature. At maximum driver load: Efficiency > 84%, PF > 0.9, THD < 20%. Other specifiable options include Lutron Hi-Lume 1% (specify 2-wire, or Ecosystem Dim-to-Off), Lutron 5-Series (5% Ecosystem), DMX (RDM compatible) and DALI protocol drivers. All of our standard 0-10V drivers are NEMA 410 compliant.

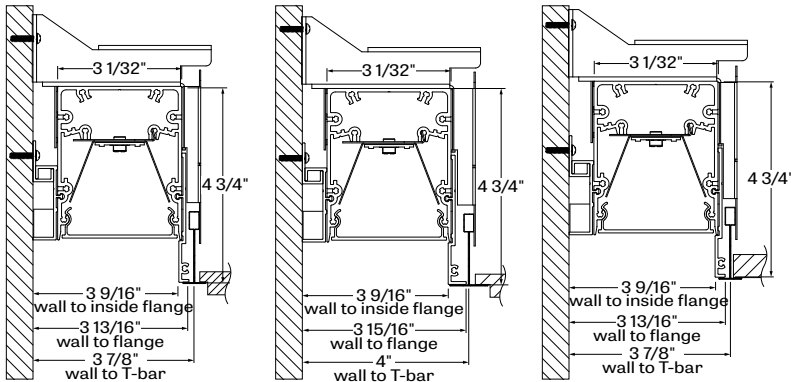
## EMERGENCY

Factory installed long life high temperature recyclable Ni-Cad battery pack with test switch and charge indicator, minimum of 90 minutes operation, up to 1000 lumens per 4ft (25°C) emergency lighting output. Recharge time of 24 hours.

# VIA 3 PERIMETER LED - PATTERNS

## MOUNTING OPTIONS

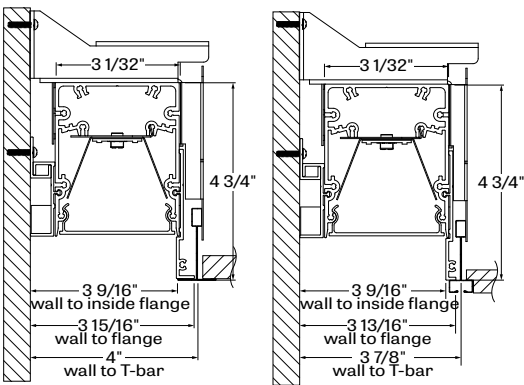
Recess mount into exposed or concealed T-Bar or Tegular grid ceiling,



**TG9** - tegular 9/16"

**TG15** - tegular 15/16"

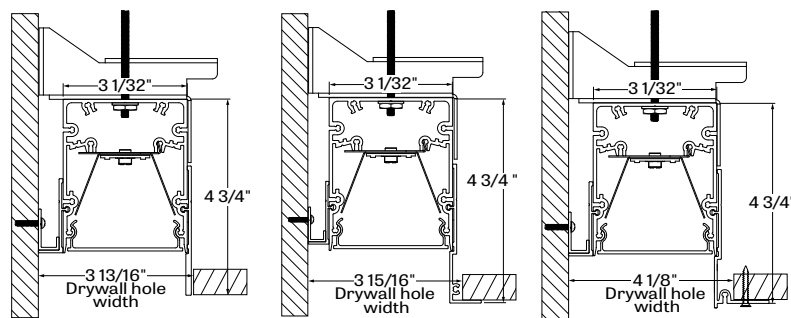
**TB9** - t-bar 9/16"



**TB15** - t-bar 15/16"

**ST** - screw slot t-bar

Mounting for drywall ceilings are available with visible trim, mud flange, trim or trimless.



**DTL** - drywall trimless

**DTR** - drywall trim

**DMF** - drywall mud flange

## FINISH

**Interior** - 95%, reflective matte powder coated white paint

**Exterior** - matte white powder coating.

Custom finishes are also available.

## CONTROLS

LumenWerx offers several options for integrating occupancy and daylight harvesting controls in our luminaires.

### STANDALONE CONTROLS

An integrated standalone sensor controls the luminaire in which it is installed. Depending on the length, more than one sensor may be necessary and may control the entire luminaire, or just a section of it. These controls operate independently. Unless otherwise agreed, location and functionality of the sensor within the luminaire are selected by LumenWerx.

Three types are available:

**OMS:** An integral Passive InfraRed (PIR) sensor turns luminaires on and off automatically with field-adjustable time out period. No wall control is used. Coverage pattern for large motion has a 12' diameter with the sensor mounted 8' above the floor; for small motion, the pattern has an 8' diameter. Typically, one sensor is required for every 10' of a continuous luminaire run.

**ODS:** An integral, daylight harvesting sensor with closed-loop operation dims the luminaire in which it is installed in order to compensate for available daylight. The sensor measures the combination of daylight and luminaire light reflected from horizontal surfaces below the luminaire. Initial onsite calibration is required via the use of provided remote control.

**OCS:** Both an occupancy and a daylight sensor are installed in the luminaire.

### CONNECTED CONTROLS

With Connected Controls, sensors or nodes installed in the luminaire form part of a larger control system infrastructure from manufacturers such as: Lutron\*, Enlighted, Osram ENCELIUM, Acuity nLight, Crestron and others. These connected controls allow for a scalable system providing features like occupancy and daylight control, manual control, scheduling and configuration of various zones and scenes. Energy reporting and system monitoring are also possible. Specific capabilities depend on the control system being used.

LumenWerx installs the components (sensors, nodes, power packs, etc) which may be supplied to us by a third party, or procured directly by LumenWerx, depending on the control system manufacturer.

# VIA 3 PERIMETER LED - PATTERNS

LumenWerx is solely responsible for the installation of specified components; the controls manufacturer is responsible for performance of the control system. To indicate a LumenWerx luminaire with Connected Controls, identify the specific onsite control system to be integrated into the luminaires using the ordering code. Due to the diversity of components, you must contact [controls@lumenwerx.com](mailto:controls@lumenwerx.com) to assure complete compatibility with intended control system and to fully specify the luminaire.

Complete control specifications, sensor/node/power pack layout, and narrative for the control system are required for LumenWerx to create shop drawings and submittals.

\* Lumenwerx offers a Lutron Vive-Enabled fixture option using either the DFCSJ-OEM-OCC (OCS Option) or DFCSJ-OEM-RF (wireless only, no sensor) Integral Fixture Modules and a DALI or EcoSystem LED driver based on customer dimming requirements.

**Please contact our controls department at [controls@lumenwerx.com](mailto:controls@lumenwerx.com) for further assistance.**

## CONSTRUCTION

**Housing** - Extruded Aluminum (0.095" nominal) up to 90% Recycled Content

**Interior brackets** - Die formed cold rolled sheet steel 18 gauge thick

**Joining system** - Die cast Zinc (0.95" nominal) and die Formed galvanized sheet 18 gauge

**Reflectors** - Flat rolled Aluminum sheet 0.040" thick precisely die formed, 95% reflective matte white painted

**Recessed flanges** - Extruded Aluminum (0.075" nominal) up to 90% Recycled Content

**End plate** - Die formed cold rolled sheet steel 18 gauge thick

## MAINTENANCE

LED boards are housed in a removable cartridge for easy replacement. Driver is accessible from below.

## WEIGHT

**Via 3 perimeter** 4ft - 11.12lbs - 5.05kg

**Via 3 perimeter** 8ft - 22.25lbs - 10.1kg

**Via 3 perimeter** 12ft - 33.48lbs - 15.2kg

## CERTIFICATIONS

**ETL** - Rated for Indoor Dry/Damp locations. Conforms to UL Standard 1598 and certified to CAN/CSA Standard C22.2 No. 250.0.

**IC rated** - suitable for direct contact with insulation.

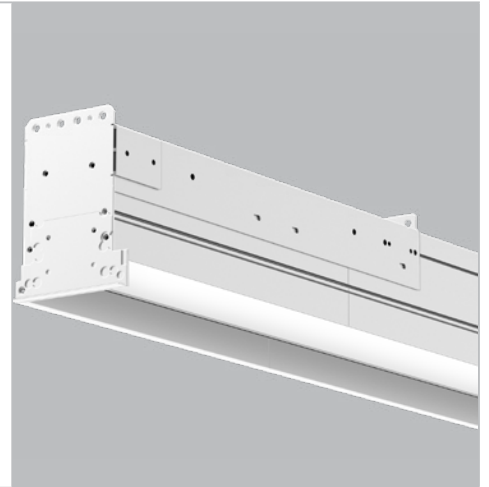
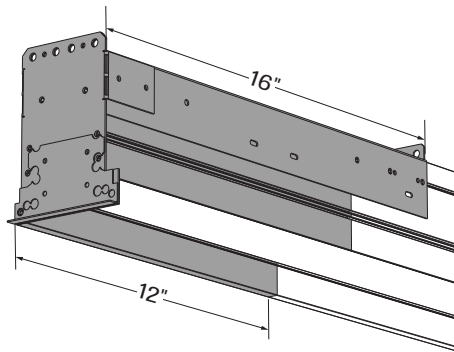
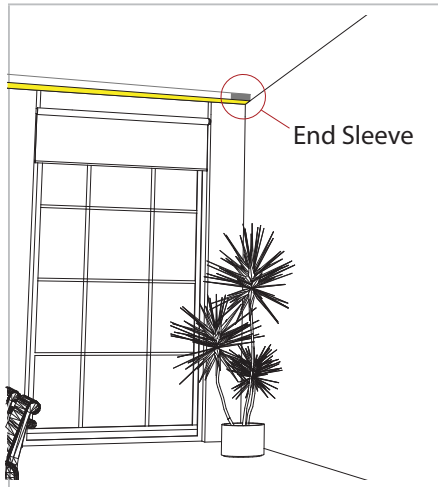
## WARRANTY

LumenWerx provides a five-year limited warranty of electrical and mechanical performance of the luminaires, including the LED boards, drivers, and auxiliary electronics. LumenWerx will repair or replace defective luminaires or components at our discretion, provided they have been installed and operated in accordance with our specifications.

# VIA 3 PERIMETER LED - PATTERNS

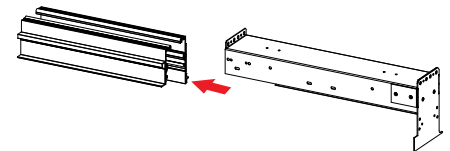
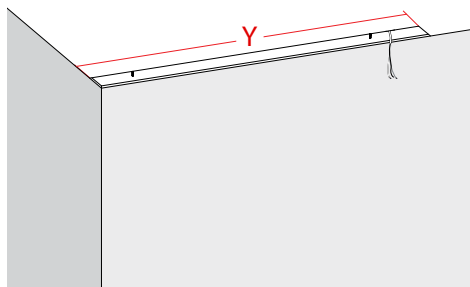
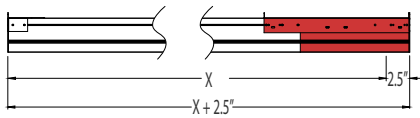
## ADJUSTABLE SLEEVE INSTALLATION

Adjustable sleeve is designed to provide on-site luminaire adjustability of +2.5" to -4.5". A sleeve accommodates an easy installation and maintenance. **Available for fixtures over 5ft long.** Please read the instruction below before you submit your order.



TES - End sleeve

X = fixture measure provided by client  
X+2.5" = measurement built and supplied

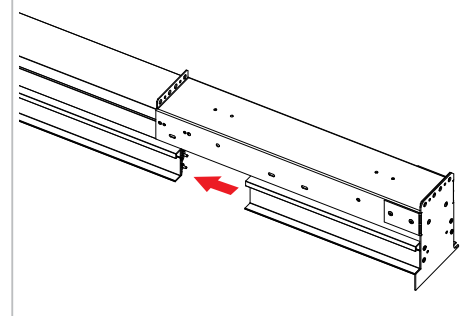
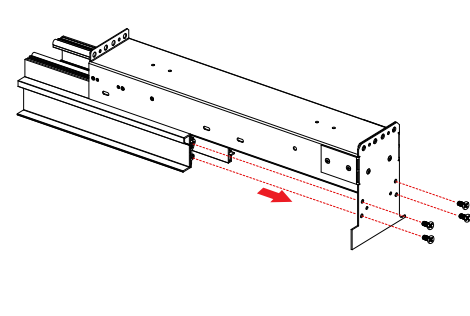
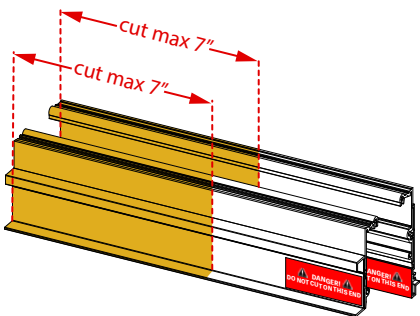


STEP 1 - ACTUAL SIZE PRODUCT

STEP 2 - MEASURE THE OPENING ON SITE

STEP 3 - REMOVE EXTRUSIONS FROM SLEEVE BASE

$(X+2.5) - Y$  = length to cut the sleeve's extrusions



STEP 4 - CUT THE EXTRUSIONS

STEP 5 - PUT EXTRUSIONS BACK ON SLEEVE BASE

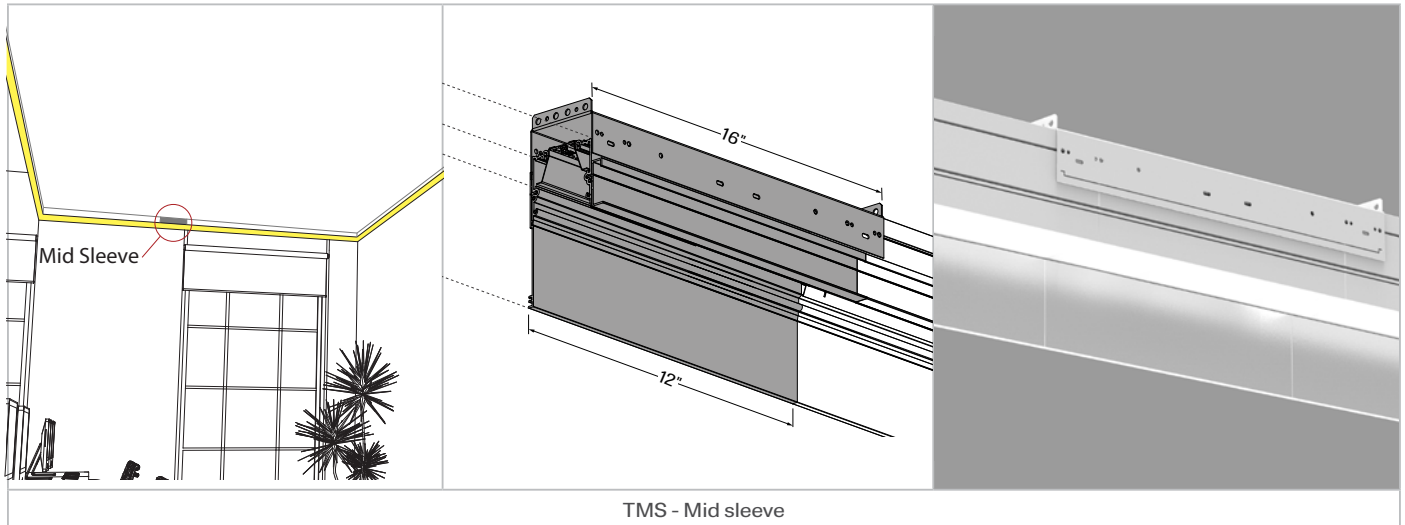
STEP 6 - RECONNECT SLEEVE BASE TO FIXTURE

**FOR MORE DETAILS, SEE OUR WEBSITE FOR INSTALLATION INSTRUCTIONS BY CEILING AND MOUNTING TYPE**

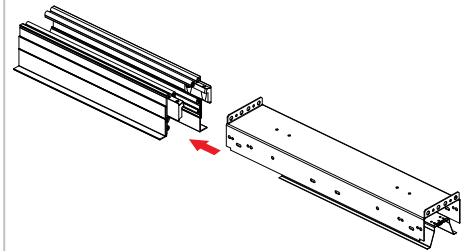
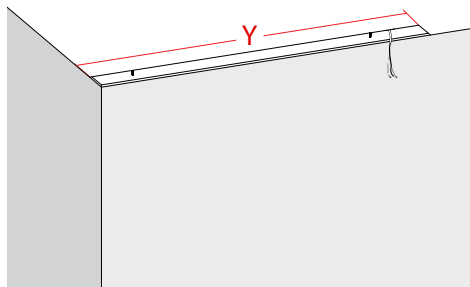
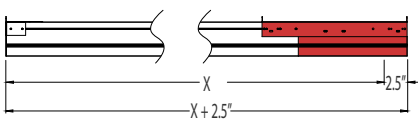
# VIA 3 PERIMETER LED - PATTERNS

## ADJUSTABLE SLEEVE INSTALLATION

Adjustable sleeve is designed to provide on-site luminaire adjustability of +2.5" to -4.5". A sleeve accommodates an easy installation and maintenance. **Available for fixtures over 8ft long.** Please read the instruction below before you submit your order.



X = fixture measure provided by client  
X+2.5" = measurement built and supplied

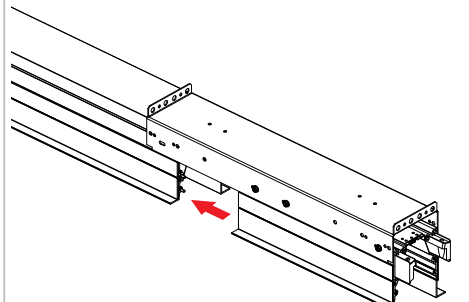
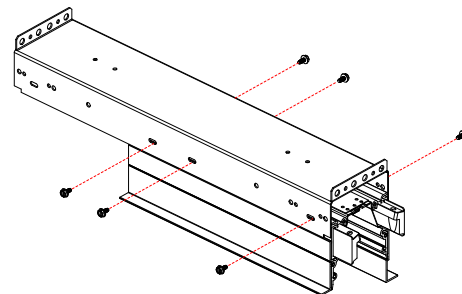
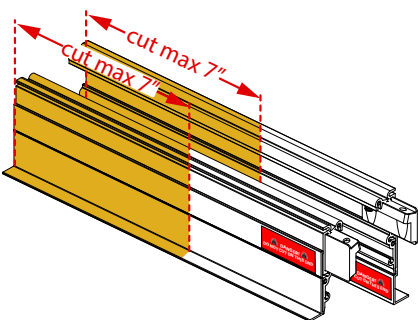


**STEP 1 - ACTUAL SIZE PRODUCT**

**STEP 2 - MEASURE THE OPENING ON SITE**

**STEP 3 - REMOVE EXTRUSIONS FROM SLEEVE BASE**

$(X+2.5) - Y$  = length to cut the sleeve's extrusions



**STEP 4 - CUT THE EXTRUSIONS**

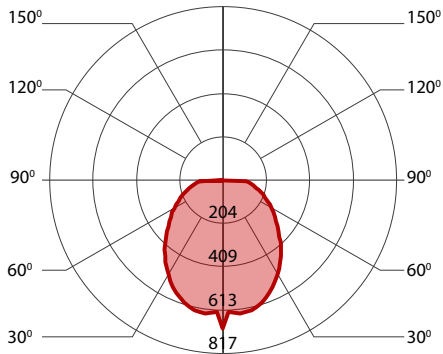
**STEP 5 - PUT EXTRUSIONS BACK ON SLEEVE BASE**

**STEP 6 - RECONNECT SLEEVE BASE TO FIXTURE**

**FOR MORE DETAILS, SEE OUR WEBSITE FOR INSTALLATION INSTRUCTIONS BY CEILING AND MOUNTING TYPE**

# VIA 3 PERIMETER LED - PATTERNS

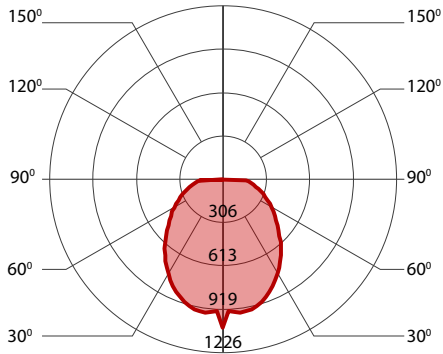
## 500 LUMEN AT 80CRI - LOW OUTPUT



### PERFORMANCE PER 4'

LED output	Color Temp	Watts	Nominal Delivered Lumens	Efficacy LPW
low output	2700K	21.5	2000	92
low output	3000K	21	2000	95
low output	3500K	20.5	2000	97
low output	4000K	20	2000	100

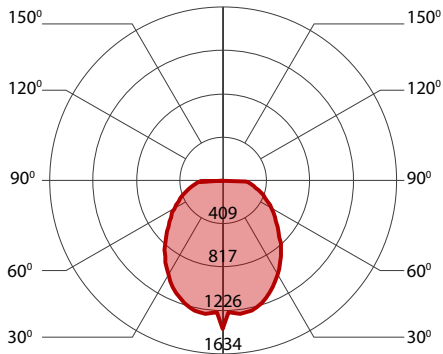
## 750 LUMEN AT 80CRI - MEDIUM OUTPUT



### PERFORMANCE PER 4'

LED output	Color Temp	Watts	Nominal Delivered Lumens	Efficacy LPW
medium output	2700K	33.5	3000	89
medium output	3000K	33	3000	91
medium output	3500K	32.5	3000	93
medium output	4000K	31	3000	96

## 1000 LUMEN AT 80CRI - HIGH OUTPUT



### PERFORMANCE PER 4'

LED output	Color Temp	Watts	Nominal Delivered Lumens	Efficacy LPW
high output	2700K	46	4000	87
high output	3000K	45	4000	89
high output	3500K	44	4000	91
high output	4000K	42.5	4000	94