

VIA 3 PERIMETER LED

RECESSED



DESCRIPTION

Via Perimeter 3 creates a continuously illuminated "slot" at the wall/ceiling intersection. Lighted corners with an adjustable end sleeves are available. Via Perimeter installs in grid or drywall ceilings in a choice of three arrangements: level, shallow 1", and deep 3 1/4".

PROJECT: _____

TYPE: _____

NOTES: _____



up to 100 lm/w performance

ORDER GUIDE

					IC RATED
LUMINAIRE ID	HLO	LED	CRI	LUMEN PACKAGES	COLOR TEMP.
V3PERL - Via 3 perimeter levelled	HLO - High-Efficiency Lambertian Optic	LED - High performance LED	80 - 80CRI	500 - Min. low output 500lm/ft	27 - 2700K
V3PERS - Via 3 perimeter shallow			90 - 90CRI	750 - Medium output 750lm/ft	30 - 3000K
V3PERD - Via 3 perimeter deep				1000 - Max. high output 1000lm/ft	35 - 3500K
				#### - Other required lm/ft	40 - 4000K

LUMINAIRE LENGTH	VOLTAGE	DRIVER	ELECTRICAL	MOUNTING
Standard sections - 2', 3', 4', 5', 8' & 12' For all other specify length #FT - nominal length in feet #IN - length in inches Continuous Run - for luminaires over 12' Minimum Individual section 2'	120 - 120V 277 - 277V UNV - 120V-277V 347 - 347V (not available with Lutron)	D1 - 1% 0-10V DA - DALI LTEA2W - Lutron 1% - 2 wire FP 120V LDE1 - Lutron Hi-lume 1% Eco LDE5 - Lutron 5% EcoSystem	1 - 1 circuit +#EB - Emergency battery (min 4' fixture, except Lutron) +#EM - Emergency light circuit +#NL - Night light circuit +GTD - Generator transfer device	TG9 - Tegular 9/16" TG15 - Tegular 15/16" TB9 - T-bar 9/16" TB15 - T-bar 15/16" ST - Screw slot t-bar DTR - Drywall trim DTL - Drywall trimless DMF - Drywall mud flange

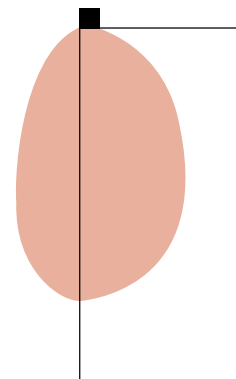
FINISH	CONTROLS	OPTIONS
W - Matte white CF# - Custom finish specify RAL#	STANDALONE CONTROLS ^{1&2} OMS - Onboard Occupancy ODS - Onboard Daylight OCS - Onboard Occupancy & Daylight CONNECTED CONTROLS CCS() - LU -Lutron, EN -Enlighted, OS -Osram, CR -Crestron. To specify see information on page 3 ¹ Not available with shallow or deep fixtures. ² Available with the D1 driver, and 1 circuit options only.	FU - Fuse FWC - Flexible whip cable (6' std) CP - Chicago Plenum CU - Custom

ADJUSTABLE SLEEVE

TES - Optional adjustable end sleeve (for a minimum 5FT fixture length)

IMPORTANT: see page 5 when ordering a sleeve, TES.

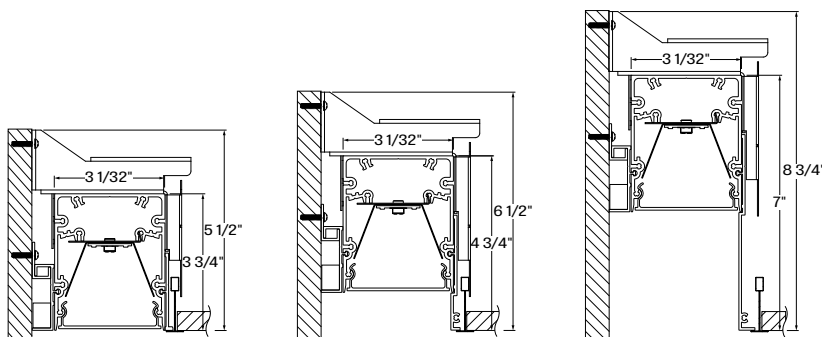
LIGHT DISTRIBUTION



V3PERL - via 3 perimeter levelled

CROSS SECTION

See page 2 for ordering code detailed information



V3PERL - via 3 perimeter levelled **V3PERS** - via 3 perimeter shallow **V3PERD** - via 3 perimeter deep

TECHZONE™ & USG Compatible with 4" ceiling

File Name: VIA3PER-RECESSED-SPEC

Page: 1 / 6

June 26, 2020

VIA 3 PERIMETER LED

RECESSED

OPTICS

HIGH EFFICIENCY LAMBERTIAN OPTIC (HLO) - matte white side reflectors combined with High-Efficiency Lambertian Optic (HLO) shielding of diffusing 0.075" thick acrylic with up to 88% transmission and good source obscuration. Luminaire brightness is controlled by the flux-to-shielding area ratio.

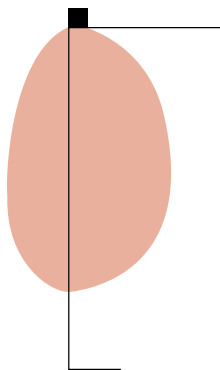
LIGHT SOURCE - LED

Custom linear array of mid-flux LED's are cartridge-mounted with quick-connect wiring to facilitate service and thermal management. Available in 2700K, 3000K, 3500K and 4000K with a minimum 80 CRI and an option for 90 CRI with elevated R9 value. Color consistency maintained to within 3 SDCM. LEDs operated at reduced drive current to optimize efficacy and lumen maintenance. All LEDs have been tested in accordance with IESNA LM-80-08 and the results have shown L80 lumen maintenance greater than 60,000 hours. Absolute product photometry is measured and presented in accordance with IESNA LM-79, unless otherwise indicated.

PERFORMANCE PER 4' AT 4000K

LED output	Color Temp	Watts	Nominal Delivered Lumens	Efficacy LPW
low output	4000K	20	2000	100
medium output	4000K	31	3000	96
high output	4000K	42.5	4000	94

LIGHT DISTRIBUTION



V3PERD-HLO-
LED-80-750-40-20
Wall Luminaires: 20' run
Lumen Output: 750 lm/ft
Watts: 8.3 watts/ft
Ceiling Height: 10'
Efficacy: 90 lpw

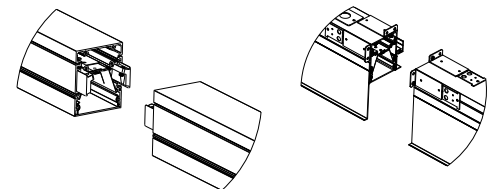
Foot Candles on 20' wide wall, 10' ceiling

156.9	154.3	162.4	152.9	153.0	152.9	152.9	163.0	154.4	157.5
14.8	14.1	13.1	12.7	12.6	12.6	12.7	13.1	14.2	15.8
8.6	8.0	7.2	6.9	6.8	6.8	6.8	7.2	8.1	8.7
7.0	6.5	6.0	5.8	5.8	5.8	5.9	6.1	6.5	7.0
6.2	5.9	5.5	5.6	5.9	5.9	5.7	5.5	5.9	6.4

LUMINAIRE LENGTH

All individual sections are joined together onsite using the joiner kits provided. Lumenwerx offers joiner kits that are extremely simple to work with in the field and result in a fixture that appears virtually seamless with no light leak at any connection.

Joining system



Drywall joining

Grid joining

ELECTRICAL

Factory-set, adjustable output current LED driver with universal (120-277VAC) input. Dimmable from 100% to 1% with 0-10V dimming control. Rated life (90% survivorship) of 50,000 hours at 50°C max. ambient (and 70°C max. case) temperature. At maximum driver load: Efficiency>84%, PF>0.9, THD<20%. Other specifiable options include Lutron Hi-Lume 1% (specify 2-wire, or Ecosystem Dim-to-Off), Lutron 5-Series (5% Ecosystem) and DALI protocol drivers. All of our standard 0-10V drivers are NEMA 410 compliant.

EMERGENCY

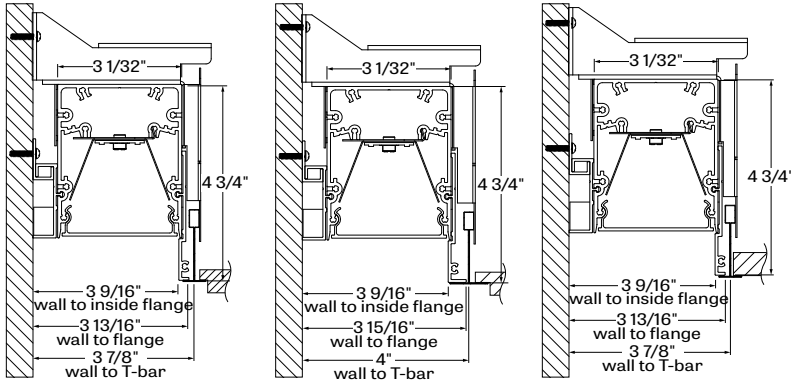
Factory installed long life high temperature recyclable Ni-Cad battery pack with test switch and charge indicator, minimum of 90 minutes operation, up to 1000 lumens per 4ft (25°C) emergency lighting output. Recharge time of 24 hours.

VIA 3 PERIMETER LED

RECESSED

MOUNTING OPTIONS

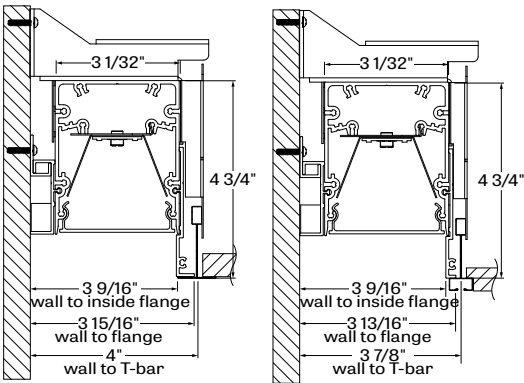
Recess mount into exposed or concealed T-Bar or Tegular grid ceiling,



TG9 - tegular 9/16"

TG15 - tegular 15/16"

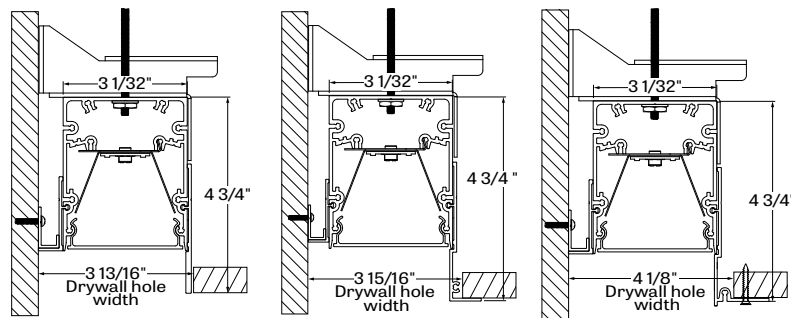
TB9 - t-bar 9/16"



TB15 - t-bar 15/16"

ST - screw slot t-bar

Mounting for drywall ceilings are available with visible trim, mud flange, trim or trimless.



DTL - drywall trimless

DTR - drywall trim

DMF - drywall mud flange

FINISH

Interior - 95%, reflective matte powder coated white paint

Exterior - matte white powder coating.

Custom finishes are also available.

CONTROLS

LumenWerx offers several options for integrating occupancy and daylight harvesting controls in our luminaires.

STANDALONE CONTROLS

An integrated standalone sensor controls the luminaire in which it is installed. Depending on the length, more than one sensor may be necessary and may control the entire luminaire, or just a section of it. These controls operate independently. Unless otherwise agreed, location and functionality of the sensor within the luminaire are selected by LumenWerx.

Three types are available:

OMS: An integral Passive InfraRed (PIR) sensor turns luminaires on and off automatically with field-adjustable time out period. No wall control is used. Coverage pattern for large motion has a 12' diameter with the sensor mounted 8' above the floor; for small motion, the pattern has an 8' diameter. Typically, one sensor is required for every 10' of a continuous luminaire run.

ODS: An integral, daylight harvesting sensor with closed-loop operation dims the luminaire in which it is installed in order to compensate for available daylight. The sensor measures the combination of daylight and luminaire light reflected from horizontal surfaces below the luminaire. Initial onsite calibration is required via the use of provided remote control.

OCS: Both an occupancy and a daylight sensor are installed in the luminaire.

CONNECTED CONTROLS

With Connected Controls, sensors or nodes installed in the luminaire form part of a larger control system infrastructure from manufacturers such as: Lutron*, Enlighted, Osram ENCELIUM, Acuity nLight, Crestron and others. These connected controls allow for a scalable system providing features like occupancy and daylight control, manual control, scheduling and configuration of various zones and scenes. Energy reporting and system monitoring are also possible. Specific capabilities depend on the control system being used.

LumenWerx installs the components (sensors, nodes, power packs, etc) which may be supplied to us by a third party, or procured directly by LumenWerx, depending on the control system manufacturer.

VIA 3 PERIMETER LED

RECESSED

LUMENWERX
WWW.LUMENWERX.COM

LumenWerx is solely responsible for the installation of specified components; the controls manufacturer is responsible for performance of the control system. To indicate a LumenWerx luminaire with Connected Controls, identify the specific onsite control system to be integrated into the luminaires using the ordering code. Due to the diversity of components, you must contact controls@lumenwerx.com to assure complete compatibility with intended control system and to fully specify the luminaire.

Complete control specifications, sensor/node/power pack layout, and narrative for the control system are required for LumenWerx to create shop drawings and submittals.

* Lumenwerx offers a Lutron Vive-Enabled fixture option using either the DFCSJ-OEM-OCC (OCS Option) or DFCSJ-OEM-RF (wireless only, no sensor) Integral Fixture Modules and a DALI or EcoSystem LED driver based on customer dimming requirements.

Please contact our controls department at controls@lumenwerx.com for further assistance.

CONSTRUCTION

Housing - Extruded Aluminum (0.095" nominal) up to 90% Recycled Content

Interior brackets - Die formed cold rolled sheet steel 18 gauge thick

Joining system - Die cast Zinc (0.95" nominal) and die Formed galvanized sheet 18 gauge

Reflectors - Flat rolled Aluminum sheet 0.040" thick precisely die formed, 95% reflective matte white painted

Recessed flanges - Extruded Aluminum (0.075" nominal) up to 90% Recycled Content

End plate - Die formed cold rolled sheet steel 18 gauge thick

MAINTENANCE

LED boards are housed in a removable cartridge for easy replacement. Driver is accessible from below.

WEIGHT

Via 3 perimeter 4ft - 11.12lbs - 5.05kg

Via 3 perimeter 8ft - 22.25lbs - 10.1kg

Via 3 perimeter 12ft - 33.48lbs - 15.2kg

CERTIFICATIONS

ETL - Rated for Indoor Dry/Damp locations. Conforms to UL Standard 1598 and certified to CAN/CSA Standard C22.2 No. 250.0.

IC rated - suitable for direct contact with insulation.

WARRANTY

LumenWerx provides a five-year limited warranty of electrical and mechanical performance of the luminaires, including the LED boards, drivers, and auxiliary electronics. LumenWerx will repair or replace defective luminaires or components at our discretion, provided they have been installed and operated in accordance with our specifications.

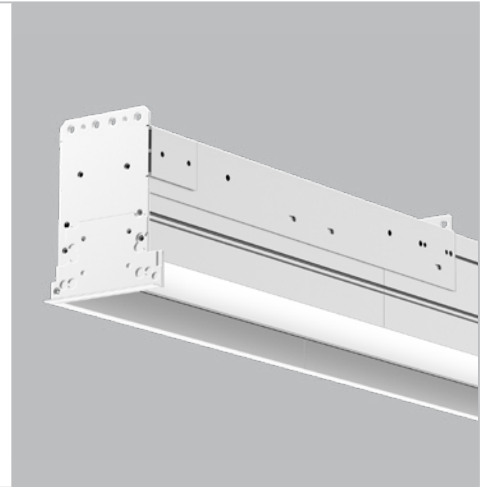
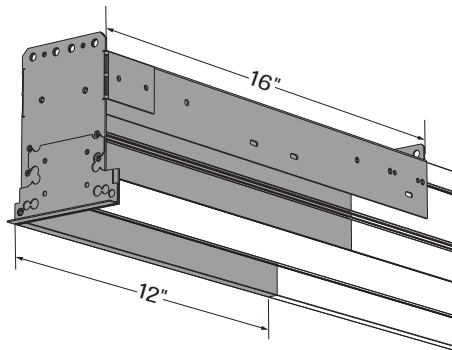
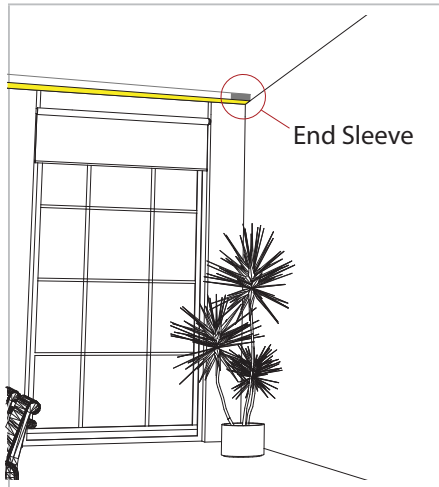
VIA 3 PERIMETER LED

RECESSED

LUMENWERX
WWW.LUMENWERX.COM

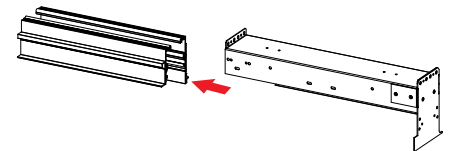
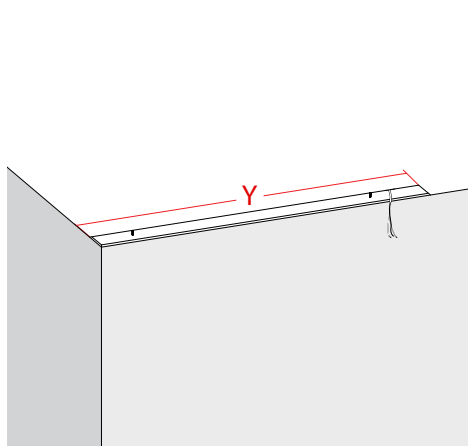
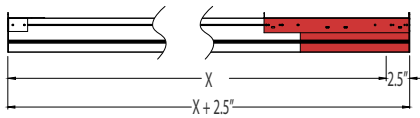
ADJUSTABLE SLEEVE INSTALLATION

Adjustable sleeve is designed to provide on-site luminaire adjustability of +2.5" to -4.5". A sleeve accommodates an easy installation and maintenance. Available for fixtures over 5ft long. Please read the instruction below before you submit your order.



TES - End sleeve

X = fixture measure provided by client
X+2.5" = measurement built and supplied

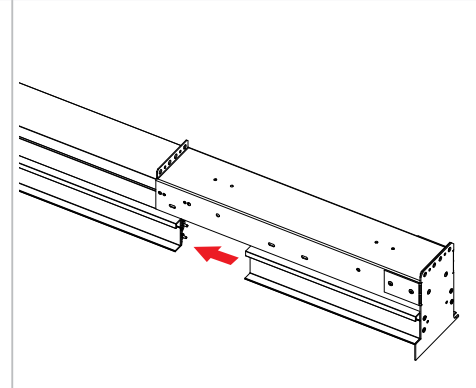
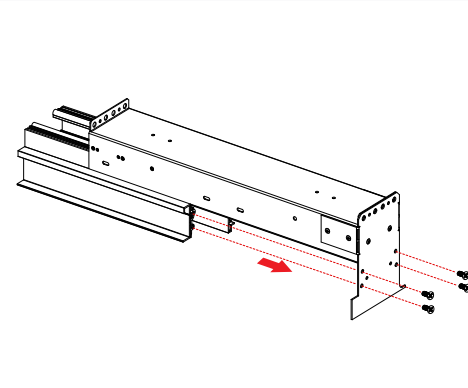
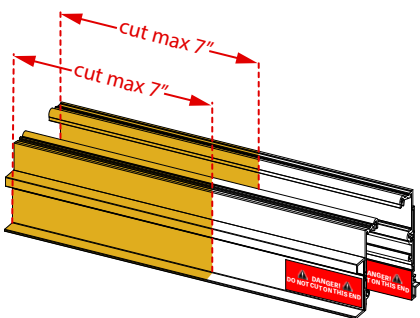


STEP 1 - ACTUAL SIZE PRODUCT

STEP 2 - MEASURE THE OPENING ON SITE

STEP 3 - REMOVE EXTRUSIONS FROM SLEEVE BASE

$(X+2.5) - Y$ = length to cut the sleeve's extrusions



STEP 4 - CUT THE EXTRUSIONS

STEP 5 - PUT EXTRUSIONS BACK ON SLEEVE BASE

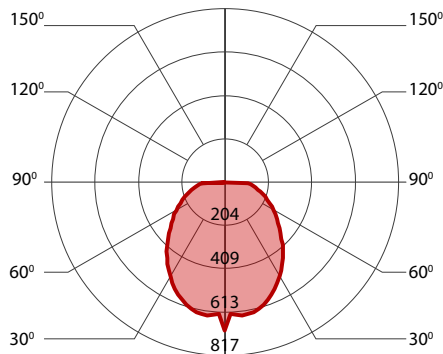
STEP 6 - RECONNECT SLEEVE BASE TO FIXTURE

FOR MORE DETAILS, SEE OUR WEBSITE FOR INSTALLATION INSTRUCTIONS BY CEILING AND MOUNTING TYPE

VIA 3 PERIMETER LED

RECESSED

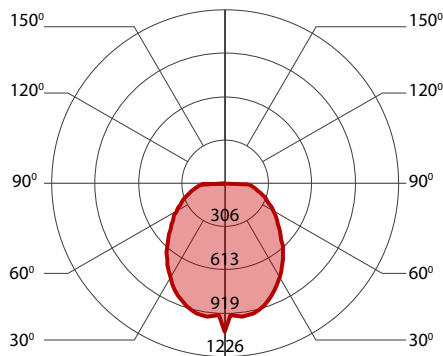
500 LUMEN AT 80CRI - LOW OUTPUT



PERFORMANCE PER 4'

LED output	Color Temp	Watts	Nominal Delivered Lumens	Efficacy LPW
low output	2700K	21.5	2000	92
low output	3000K	21	2000	95
low output	3500K	20.5	2000	97
low output	4000K	20	2000	100

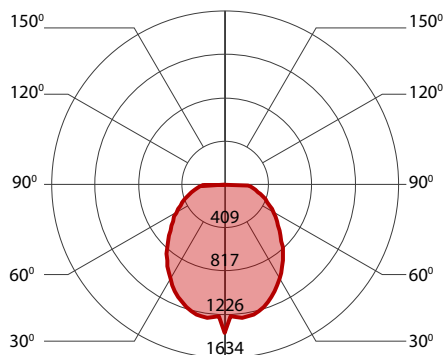
750 LUMEN AT 80CRI - MEDIUM OUTPUT



PERFORMANCE PER 4'

LED output	Color Temp	Watts	Nominal Delivered Lumens	Efficacy LPW
medium output	2700K	33.5	3000	89
medium output	3000K	33	3000	91
medium output	3500K	32.5	3000	93
medium output	4000K	31	3000	96

1000 LUMEN AT 80CRI - HIGH OUTPUT



PERFORMANCE PER 4'

LED output	Color Temp	Watts	Nominal Delivered Lumens	Efficacy LPW
high output	2700K	46	4000	87
high output	3000K	45	4000	89
high output	3500K	44	4000	91
high output	4000K	42.5	4000	94