

# VIA 3 PERIMETER LED

RECESSED



**LUMENWERX**  
WWW.LUMENWERX.COM

## CHROMAWERX QUADRO - RGBW

**IMPORTANT: a qualified DMX integration consultant is required to ensure proper installation and function of any DMX network**



### DESCRIPTION

**Via Perimeter 3** creates a continuously illuminated "slot" at the wall/ceiling intersection. Lighted corners are available. Via Perimeter installs in grid or drywall ceilings in a choice of three arrangements: level, shallow 1", and deep 3 1/4". Via Perimeter 3 is an ideal vehicle for ChromaWerx color tuning in education, office, and healthcare applications where modular luminaires are used.

**PROJECT:** \_\_\_\_\_

**TYPE:** \_\_\_\_\_

**NOTES:** \_\_\_\_\_

### ORDER GUIDE

IC RATED

LUMINAIRE ID	HLO	LED	CHROMAWERX	OUTPUT WATTAGE
<b>V3PERL</b> - via 3 perimeter levelled <b>V3PERS</b> - via 3 perimeter shallow <b>V3PERD</b> - via 3 perimeter deep	HLO - High-Efficiency Lambertian Optic	LED - high performance LED	<b>QUADRO</b> - four-channel RGB with 3500K white <b>RS</b> - red solid <b>GS</b> - green solid <b>BS</b> - blue solid	<b>2.5WF</b> - 2.5 w/ft output (for solid colors only) <b>5WF</b> - 5 w/ft output (quadro only) <b>10WF</b> - 10 w/ft output (quadro only) <b>15WF</b> - 15 w/ft output (quadro only)

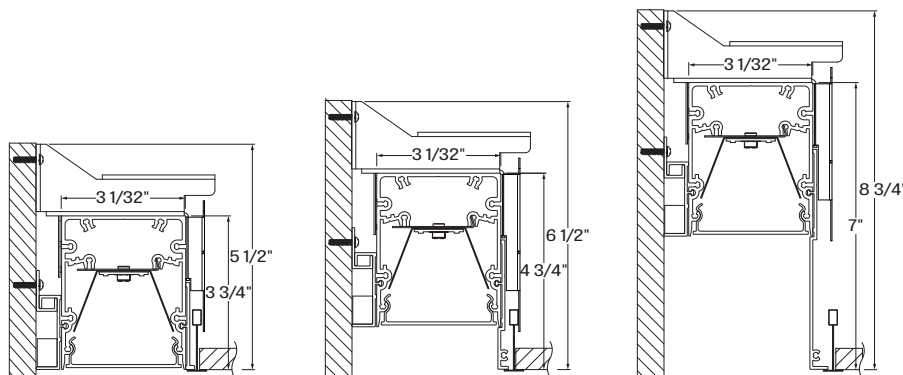
LUMINAIRE LENGTH	VOLTAGE	DRIVER	ELECTRICAL	MOUNTING	FINISH	OPTIONS
Available sections - 4', 8' & 12' #FT - nominal length in feet (2' increments only) Continuous Run - for luminaires over 12' Minimum Individual section 4'	<b>120</b> - 120V <b>277</b> - 277V	<b>DMX</b> - to specify see pages 6 to 11 <b>DA</b> - Dali (solid colors only) local on-site commissioning is required <b>O-10</b> - 0-10 (solid colors only)	<b>1</b> 1 - 1 circuit	<b>TG9</b> - tegular 9/16" <b>TG15</b> - tegular 15/16" <b>TB9</b> - t-bar 9/16" <b>TB15</b> - t-bar 15/16" <b>ST</b> - screw slot t-bar <b>DTR</b> - drywall trim <b>DTL</b> - drywall trimless <b>DMF</b> - drywall mud flange	<b>W</b> - matte white <b>CF#</b> - custom finish specify RAL#	<b>FU</b> - fuse <b>FWC</b> - flexible whip cable (6' std) <b>CP</b> - Chicago Plenum <b>CU</b> - custom

See page 2 for ordering code detailed information

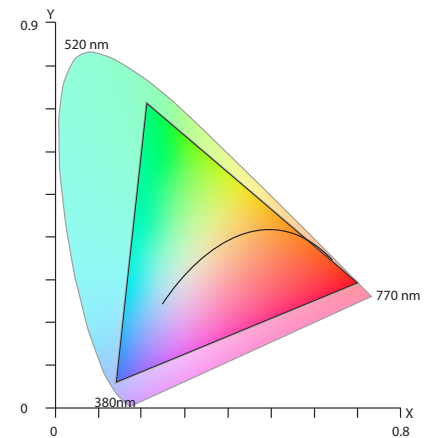
### DMX WALL CONTROLS

To specify see pages 6 to 11

### CROSS SECTION



**V3PERL** - via 3 perimeter levelled    **V3PERS** - via 3 perimeter shallow    **V3PERD** - via 3 perimeter deep



TECHZONE™ & USG Compatible with 4" ceiling

File Name: VIA3PER-RGBW-RECESSED-SPEC

Page: 1 / 10

July 7, 2019

www.lumenwerx.com (T) 514-225-4304 (F) 514-931-4862 © All rights are reserved to LumenWerx ULC. LumenWerx ULC. reserves the right to change or modify product specifications without notification



# VIA 3 PERIMETER LED

RECESSED

## CHROMAWERX QUADRO - RGBW

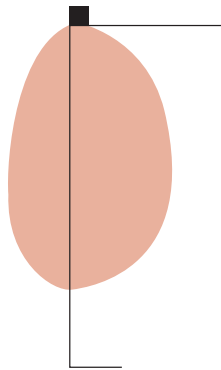
### OPTICS

**HIGH EFFICIENCY LAMBERTIAN OPTIC (HLO)** - matte white side reflectors combined with High-Efficiency Lambertian Optic (HLO) shielding of diffusing 0.075" thick acrylic with up to 88% transmission and good source obscuration. Luminaire brightness is controlled by the flux-to-shielding area ratio.

### LIGHT SOURCE - LED

Custom linear array of mid-flux LEDs, comprised of an alternation of an RGB and a dedicated white LED. The white LED is used for when a static white CCT is required in the space. RGB LEDs are tightly binned for excellent color control between fixtures. The white LEDs have been tested in accordance with IESNA LM-80-08 and the results have shown L80 lumen maintenance greater than 60,000 hours. Absolute product photometry is measured and presented in accordance with IESNA LM-79, unless otherwise indicated.

### LIGHT DISTRIBUTION



V3PERD-HLO-  
LED-80-750-40-20  
Wall Luminaires: 20' run  
Lumen Output: 750 lm/ft  
Watts: 8.3 watts/ft  
Ceiling Height: 10'  
Efficacy: 90 lpw

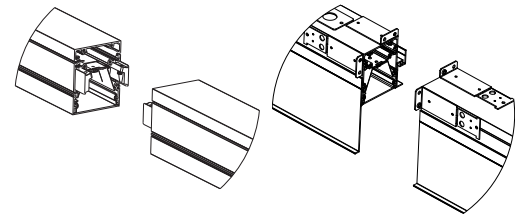
Foot Candles on 20' wide wall, 10' ceiling

156.9	154.3	162.4	152.9	153.0	152.9	152.9	163.0	154.4	157.5
14.8	14.1	13.1	12.7	12.6	12.6	12.7	13.1	14.2	15.8
8.6	8.0	7.2	6.9	6.8	6.8	6.8	7.2	8.1	8.7
7.0	6.5	6.0	5.8	5.8	5.8	5.9	6.1	6.5	7.0
6.2	5.9	5.5	5.6	5.9	5.9	5.7	5.5	5.9	6.4

### LUMINAIRE LENGTH

Via Perimeter 3 is made up of standard 4, 8 and 12 foot sections that may be joined together to create longer continuous run lengths. Exact run length must be noted in the product code. The minimum individual section available is 4 foot, and continuous run lengths can be ordered in 2 foot increments. All individual sections are joined together onsite using the joiner kits provided. LumenWerx offers joiner kits that are extremely simple to work with in the field and result in a fixture that appears virtually seamless with no light leak at any connection.

### Joining system



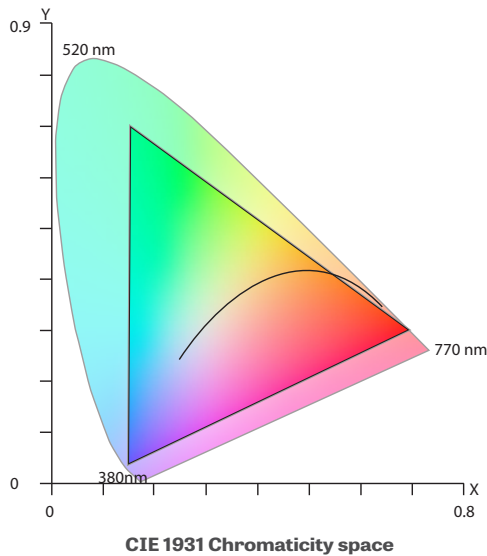
Drywall joining

Grid joining

## CHROMAWERX QUADRO - RGBW

### CHROMAWERX - RGBW

**ChromaWerx Quadro** is a four-channel control that operates an RGBW LED array and addresses the need for more expressive color in architectural applications. The DMX driver supports familiar programming tools for both dynamic multi-hued color and precise white color point control. While a typical user interface will be a DMX controller by others, LumenWerx also offers a simple control station for stand-alone color changing applications.



The above diagram overlays the full gamut of colors attainable with the RGBW on top of the CIE 1931 color space. Any color point inside of the triangle can be obtained by setting the correct output levels for each of the individual red, green, blue, and white channels.

### ELECTRICAL

#### DMX

Factory-set, adjustable output current, multi-channel LED driver with universal (120-277VAC) input. Using DMX wall controls (optionally supplied by LumenWerx) or an existing DMX control system, four channels of LEDs (Red/Green/Blue/White) are independently adjustable. Each DMX driver has multiple output channels that can be independently addressed at the factory or on-site using built-in RDM (Remote Device Management) functionality. Dimming range from 100%-0%. At maximum driver load, efficiency<89%, PF>0.9, THD<20%.

# VIA 3 PERIMETER LED

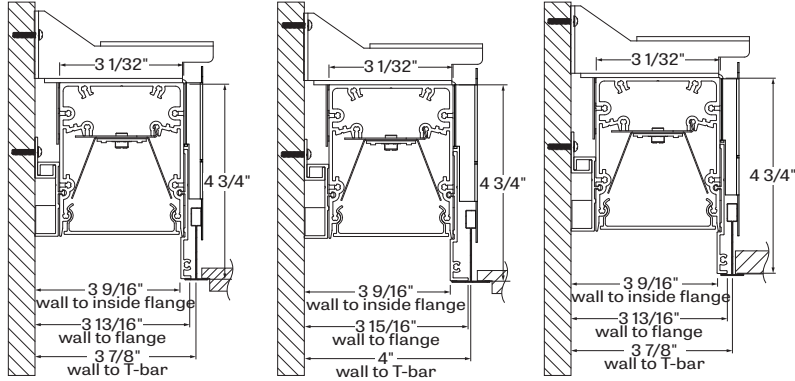
RECESSED

**LUMENWERX**  
WWW.LUMENWERX.COM

## CHROMAWERX QUADRO - RGBW

### MOUNTING OPTIONS

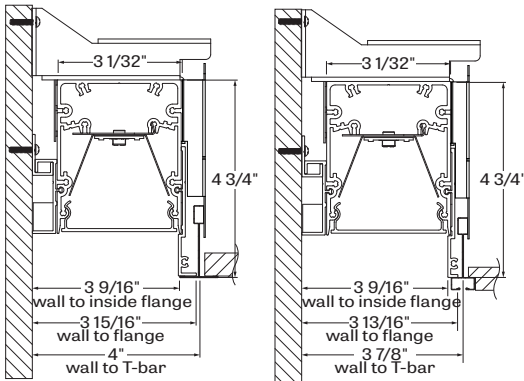
Recess mount into exposed or concealed T-Bar or Tegular grid ceiling,



TG9 - tegular 9/16"

TG15 - tegular 15/16"

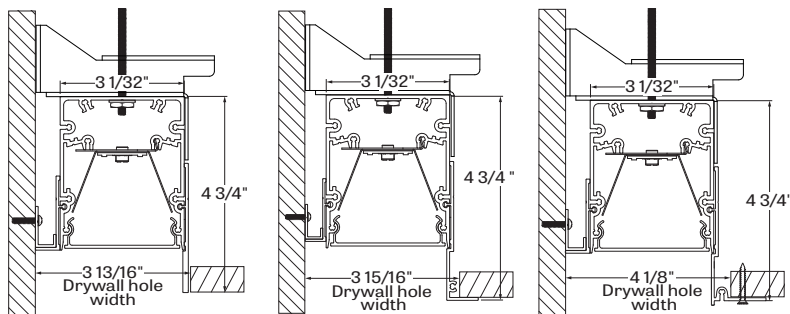
TB9 - t-bar 9/16"



TB15 - t-bar 15/16"

ST - screw slot t-bar

Mounting for drywall ceilings are available with visible trim, mud flange, trim or trimless.



DTL - drywall trimless

DTR - drywall trim

DMF - drywall mud flange

### FINISH

**Interior** - 95%, reflective matte powder coated white paint

**Exterior** - matte white powder coating.

Custom finishes are also available.

### CONSTRUCTION

**Housing** - Extruded Aluminum (0.095" nominal) up to 90% Recycled Content

**Interior brackets** - Die formed cold rolled sheet steel 18 gauge thick

**Joining system** - Die cast Zinc (0.95" nominal) and die Formed galvanized sheet 18 gauge

**Reflectors** - Flat rolled Aluminum sheet 0.040" thick precisely die formed, 95% reflective matte white painted

**Recessed flanges** - Extruded Aluminum (0.075" nominal) up to 90% Recycled Content

**End plate** - Die formed cold rolled sheet steel 18 gauge thick

### MAINTENANCE

LED boards are housed in a removable cartridge for easy replacement. Driver is accessible from below.

### WEIGHT

**Via 3 perimeter 4ft** - 11.12lbs - 5.05kg

**Via 3 perimeter 8ft** - 22.25lbs - 10.1kg

**Via 3 perimeter 12ft** - 33.48lbs - 15.2kg

### CERTIFICATIONS

**ETL** - Rated for Indoor Dry/Damp locations.

Conforms to UL Standard 1598 and certified to CAN/CSA Standard C22.2 No. 250.0.

**IC rated** - suitable for direct contact with insulation.

### WARRANTY

For all ChromaWerx products, LumenWerx provides a three-year limited warranty of electrical and mechanical performance of the luminaires, including the LED boards, drivers, and auxiliary electronics.

LumenWerx will repair or replace defective luminaires or components at our discretion, provided they have been installed and operated in accordance with our specifications. Other limitations apply, please refer to the full warranty on our website.

Wall controllers are covered by the manufacturer warranty.

# VIA 3 PERIMETER LED

RECESSED

LUMENWERX  
WWW.LUMENWERX.COM

## CHROMAWERX QUADRO - RGBW

### QUADRO DMX SPECIFICATION

A qualified DMX integrator is required to assure proper installation and commissioning of the DMX network. **When placing the PO, please provide the contact information of your DMX integrator.**

Please answer the following questions to help us identify your DMX network requirements.

YES

Do you require a wall controller provided by Lumenwerx?

NO

DMX control system supplied by others. Lumenwerx will supply DMX-enabled fixtures with default DMX addressing. See following pages for technical DMX informations. ✓

DMX controller supplied by Lumenwerx

**How many zones do you have?**  
A zone consists of one or more luminaires behaving identically.



1 Zone



2 Zones

#### How to calculate the required number of drivers:

per 4' fixture  
**Driver**  
1x driver  
Less than 12.5W/ft, direct only

per 4' fixture  
**Driver Driver**  
2x driver  
Above 12.5W/ft or for all direct/indirect fixture

To Calculate # of drivers

1 Zone

2 to 3 Zones

4 or more Zones

Do you have more than 32 drivers in total?

NO

YES

Order a standard Lumenwerx wall controller type 1.

#### WALL CONTROLLER

**WC1W** - wall controller 1 white  
**WC1B** - wall controller 1 black

Add the control code at the end of your order code.

Please provide a fixture layout or RCP (Reflected Ceiling Plan) showing the locations of the DMX fixtures, zones and the DMX wall controller.

Refer to your DMX integrator for the installation. ✓

Subject to factory evaluation. Please contact our controls specialist at [controls@lumenwerx.com](mailto:controls@lumenwerx.com). Additional cost and equipment will be required. ✓

Order a standard Lumenwerx wall controller type 2.

#### WALL CONTROLLER

**WC2W** - wall controller 2 white  
**WC2B** - wall controller 2 black

Add the control code at the end of your order code.

Please provide a fixture layout or RCP (Reflected Ceiling Plan) showing the locations of the DMX fixtures, zones and the DMX wall controller.

Refer to your DMX integrator for the installation. ✓

Subject to factory evaluation. Please contact our controls specialist at [controls@lumenwerx.com](mailto:controls@lumenwerx.com). Additional cost and equipment will be required. ✓

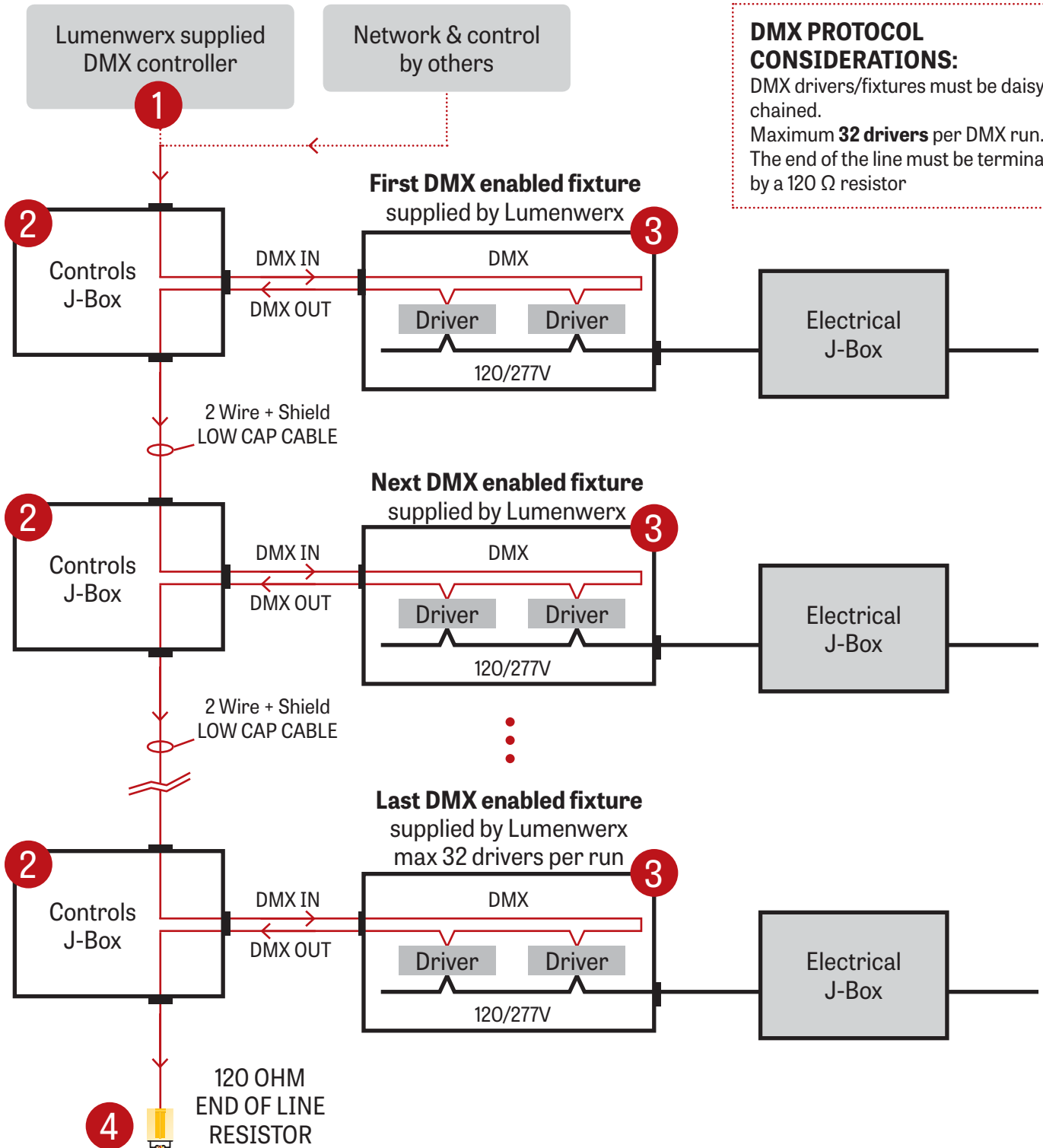
Subject to factory evaluation and approval. Please contact our controls specialist at [controls@lumenwerx.com](mailto:controls@lumenwerx.com). Additional cost and equipment will be required. ✓

# VIA 3 PERIMETER LED

RECESSED

## CHROMAWERX QUADRO - RGBW

### GENERIC DMX NETWORK ARCHITECTURE



# VIA 3 PERIMETER LED

RECESSED

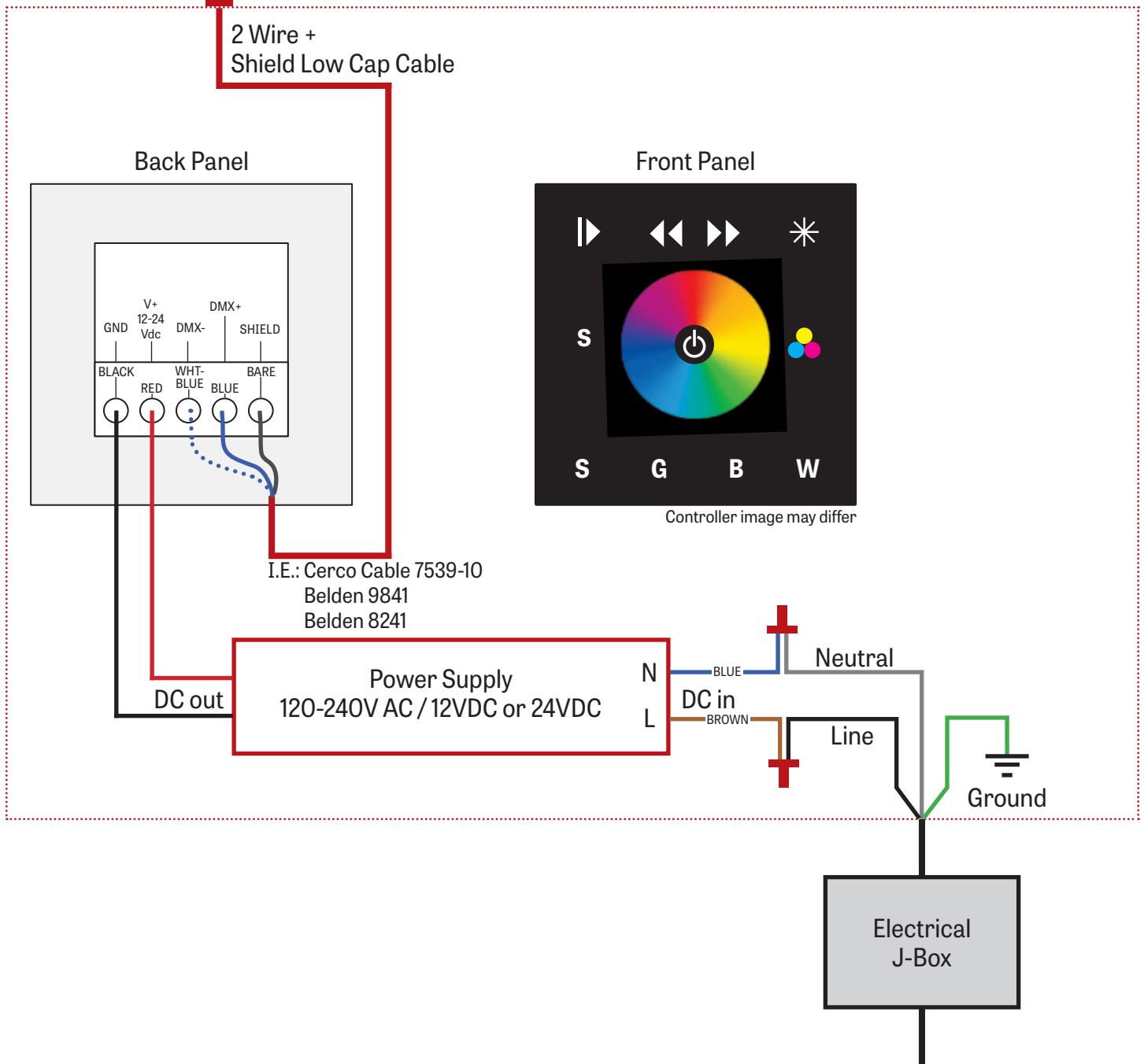
LUMENWERX  
WWW.LUMENWERX.COM

## CHROMAWERX QUADRO - RGBW

### 1 LUMENWERX SUPPLIED DMX CONTROLLER

To the first fixture

WALL BOX SUPPLIED BY OTHERS



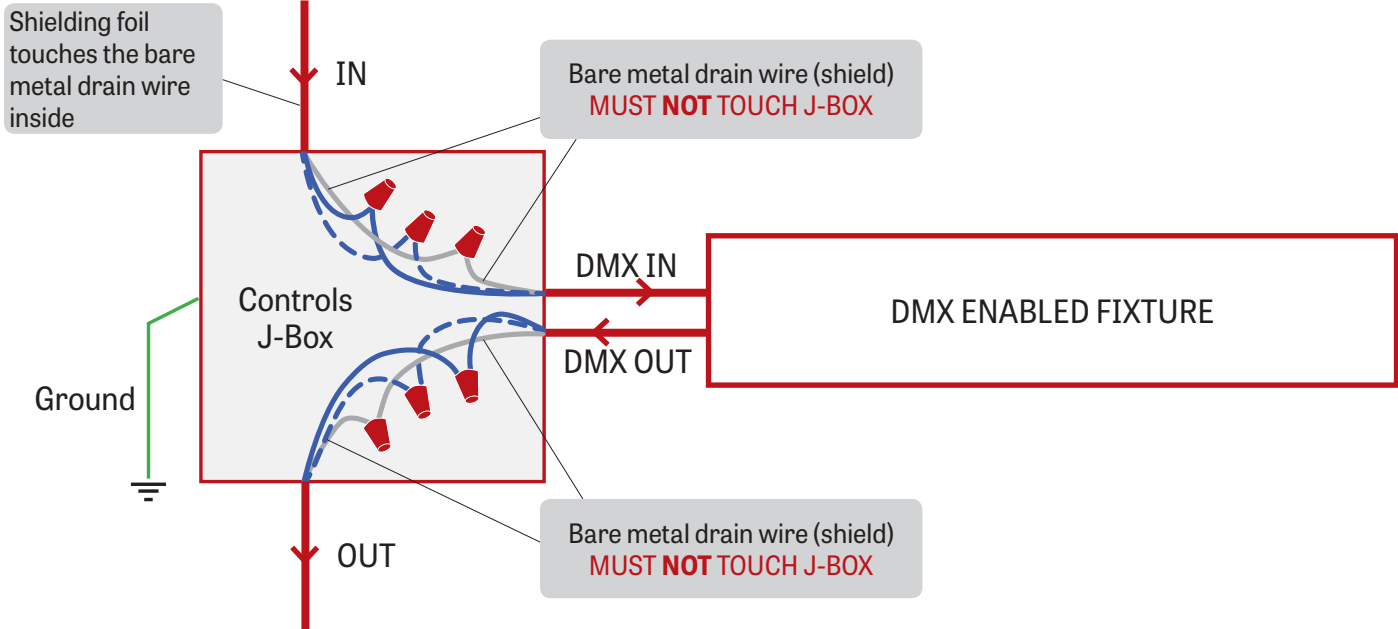
# VIA 3 PERIMETER LED

RECESSED

## CHROMAWERX QUADRO - RGBW

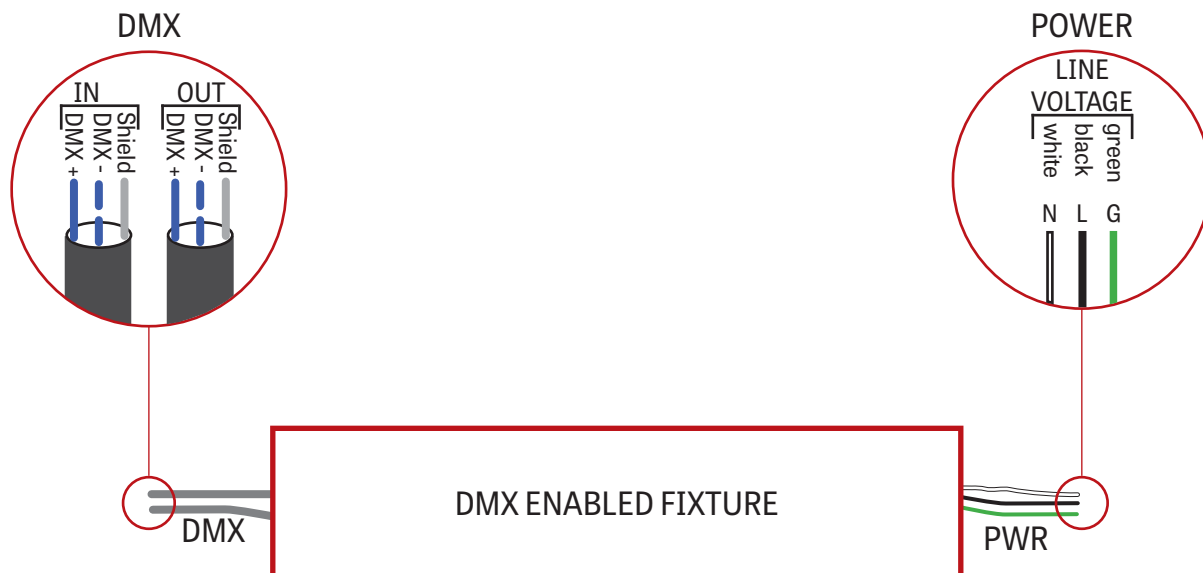
### 2 J-BOX DMX DAISY CHAIN DETAIL

#### Low capacitance DMX Cable from Previous Fixture



#### Low capacitance DMX cable to next fixture

### 3 DMX CONNECTION RECESSED & SURFACE



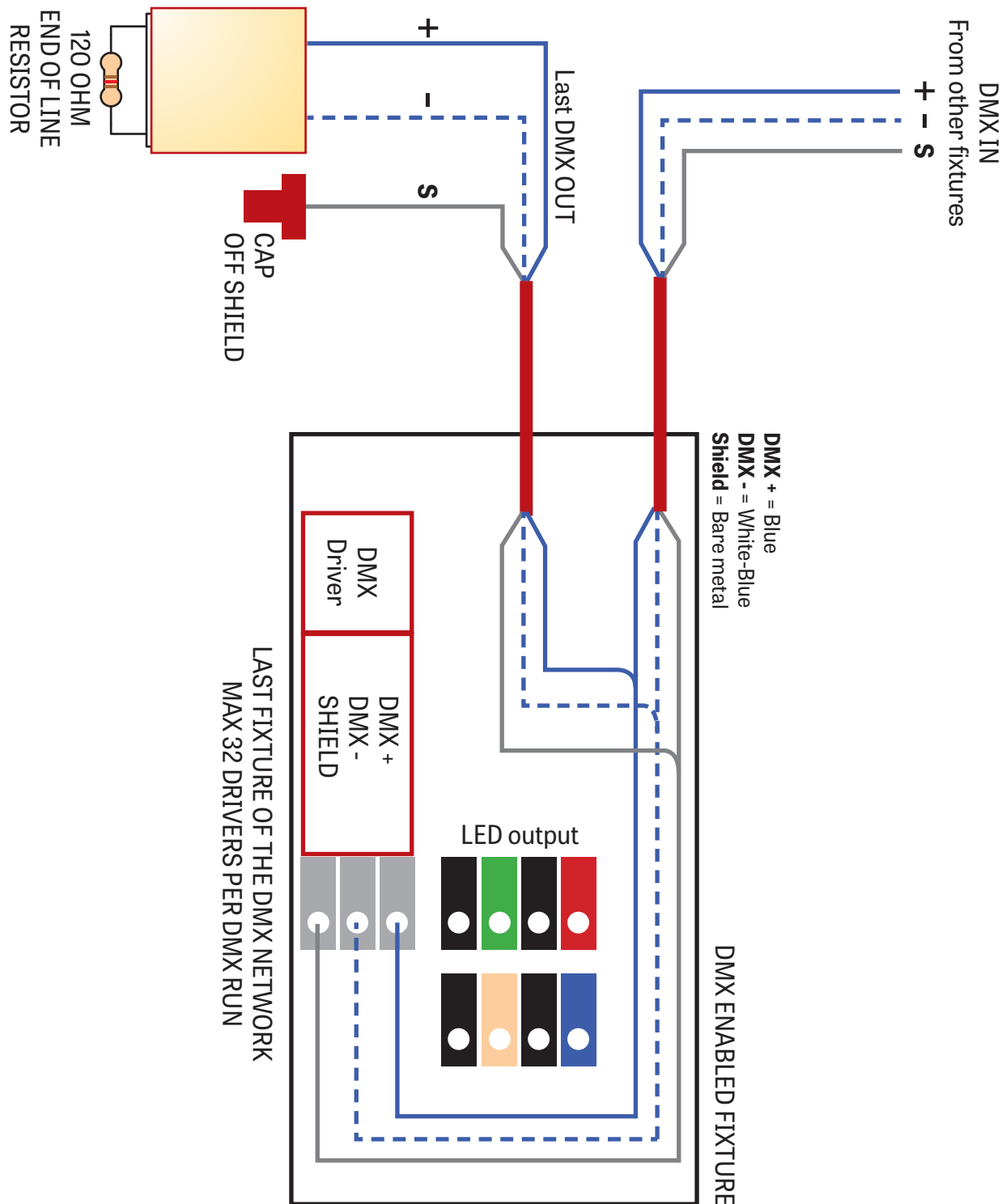


# VIA 3 PERIMETER LED

RECESSED

## CHROMAWERX QUADRO - RGBW

### 4 DMX LAST FIXTURE DETAIL



# VIA 3 PERIMETER LED

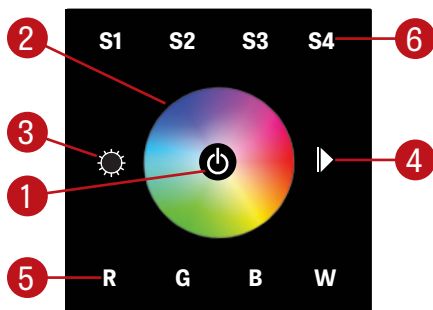
RECESSED

LUMENWERX  
WWW.LUMENWERX.COM

## CHROMAWERX QUADRO - RGBW

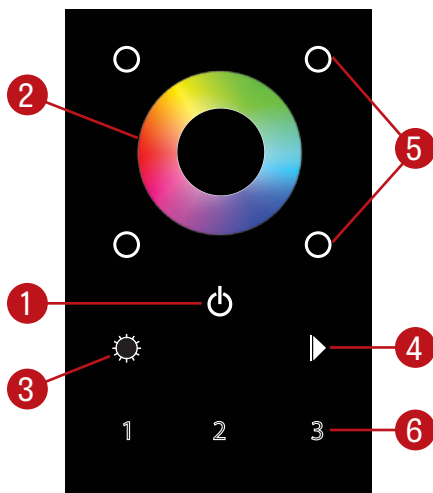
### DMX WALL CONTROLLER

#### WC1



- (1) Power: Use this button to turn ON or OFF the RGBW fixture
- (2) Color Wheel: The wheel is used to rapidly select a color
- (3) Brightness (RGB): Hold down this button to either increase or decrease the brightness of the current RGB selection. White will not be affected by the RGB brightness button.
- (4) Color Cycle: This button will start an animation, rotating between Reds Greens and Blues, the arrows allows the user to speed up or slow down the animation
- (5) Individual Colors: By pressing and holding a color it will be possible to brighten or dim it. Quickly pressing a color will turn it OFF or turn it ON to it's previous dim level.  
White: In Order to activate or deactivate and dim the White channel, the White button needs to be used.
- (6) Scenes: By holding down one of the scenes button, the current color selection is saved. It can be later accessed by quickly pressing on one of the Scene buttons.

#### WC2



- (1) Power: Use this button to turn ON or OFF the RGBW fixture
- (2) Color Wheel: The wheel is used to rapidly select a color
- (3) Brightness: Hold down this button to either increase or decrease the brightness of the current RGB selection. White will not be affected by the RGB brightness button.
- (4) Color Cycle: This button will start an animation, rotating between Reds Greens and Blues, the arrows allows the user to speed up or slow down the animation
- (5) Individual Colors: By pressing a color it will be possible to brighten or dim that specific color White: In Order to activate or deactivate and dim the White channel, the White button needs to be used.
- (6) Zone: By holding down one of the zone button, a zone can be selected and control

#### Default DMX Addresses:

- 1 Red
- 2 Green
- 3 Blue
- 4 White