

VIA SKIM 3 LED

RECESSED



LUMENWERX
WWW.Lumenwerx.COM



Via skim recessed deep

DESCRIPTION

Via Skim is designed to illuminate textured or polished vertical surfaces with a grazing light from the wall/ceiling intersection. Via Skim provides continuous illumination across the wall surface.

The intense light distribution is achieved with our Grazing Reflector Optic (GRO) oriented to project light with maximum luminous intensity at 5° from nadir. The Via Skim is available with two depth options: shallow and deep. Total recessed depth ranges from 4¾" to 7".

PROJECT: _____

TYPE: _____

NOTES: _____

Via Skim is not recommended to illuminate drywall surface applications

ORDER GUIDE

IC RATED

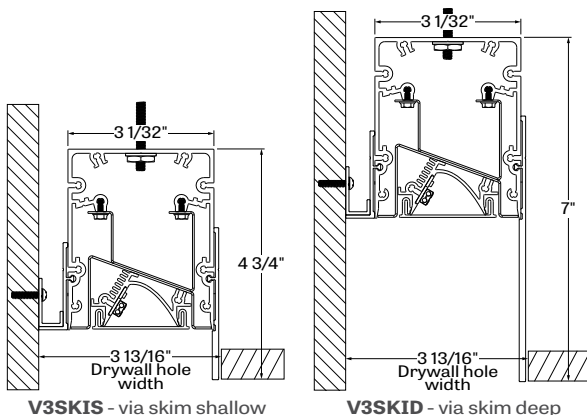
LUMINAIRE ID	GRO OPTICS	LED LIGHT SOURCE	CRI	LUMEN PACKAGES	COLOR TEMP.
V3SKIS - via skim 3 recessed shallow V3SKID - via skim 3 recessed deep	GRO - grazing reflector optic	LED - high performance LED	80 - 80CRI 90 - 90CRI	350 - min. low output 350lm/ft 500 - medium output 500lm/ft 750 - max. high output 750lm/ft #### - other required lm/ft	27 - 2700K 30 - 3000K 35 - 3500K 40 - 4000K

LUMINAIRE LENGTH	VOLTAGE	DRIVER	ELECTRICAL	MOUNTING
Standard sections - 2', 3', 4', 5', 8' & 12' For all other specify length #FT - nominal length in feet #IN - length in inches Continuous Run - for luminaires over 12' Minimum Individual section 2'	120 - 120V 277 - 277V UNV - 120V-277V 347 - 347V (not available with Lutron)	D1 - 1% 0-10V DA - DALI LTEA2W - Lutron 1% - 2 wire FP 120V LDE1 - Lutron Hi-lume 1% Eco LDE5 - Lutron 5% EcoSystem	1 - 1 circuit +#EB - emergency battery (min 4' fixture, except Lutron) +#EM - emergency light circuit +#NL - night light circuit +GTD - generator transfer device	TG9 - tegular 9/16" TG15 - tegular 15/16" TB9 - t-bar 9/16" TB15 - t-bar 15/16" ST - screw slot t-bar DTR - drywall trim DTL - drywall trimless DMF - drywall mud flange

See page 2 for ordering code detailed information

FINISH	OPTIONS
W - matte white CF# - custom finish specify RAL#	FU - fuse FWC - flexible whip cable (6' std) CP - Chicago Plenum CU - custom

CROSS SECTION

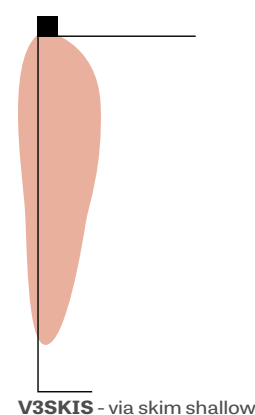


OPTICS



GRO - Grazing Reflector Optic

LIGHT DISTRIBUTION



V3SKIS - via skim shallow

TECHZONE™ & USG Compatible with 4" ceiling



VIA SKIM 3 LED

RECESSED

OPTICS

GRAZING REFLECTOR OPTIC (GRO) - The intense light distribution is achieved with our Grazing Reflector Optic oriented to project light with maximum luminous intensity at 5° from nadir.

Via Skim is not recommended to illuminate drywall surface applications.

LIGHT SOURCE - LED

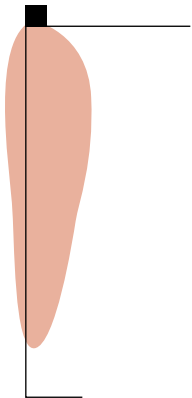
Custom linear array of mid-flux LEDs are cartridge-mounted with quick-connect wiring to facilitate service and thermal management. Available in 2700K, 3000K, 3500K and 4000K with a minimum 80 CRI and an option for 90 CRI with elevated R9 value. Color consistency maintained to within 3 SDCM. LEDs operated at reduced drive current to optimize efficacy and lumen maintenance.

All LEDs have been tested in accordance with IESNA LM-80-08 and the results have shown L80 lumen maintenance greater than 60,000 hours. Absolute product photometry is measured and presented in accordance with IESNA LM-79, unless otherwise indicated.

PERFORMANCE PER 4' AT 4000K

LED output	Color Temp	Watts	Nominal Delivered Lumens	Efficacy LPW
low output	4000K	19	1400	75
medium output	4000K	27	2000	74
high output	4000K	42	3000	71

LIGHT DISTRIBUTION



VSKI3D-GRO-LED-80-750-NA-40-20
 Wall Luminaires: 20' run
 Lumen Output: 750 lm/ft
 Watts: 10.5 watts/ft
 Ceiling Height: 10'
 Efficacy: 71 lpw

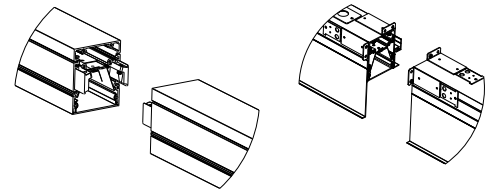
Foot Candles on 20' wide wall, 10' ceiling

128	135	153	144	131	126	134	154	146	136
25.4	24.4	23.5	23.7	23.7	23.8	23.8	23.7	24.8	27.8
12.6	12.6	12.0	11.8	12.1	11.9	12.2	12.2	12.7	14.6
11.5	10.4	9.6	9.8	9.9	9.9	10.0	9.8	10.5	11.7
11.3	10.1	9.7	10.3	10.9	11.0	10.5	9.8	10.3	11.5

LUMINAIRE LENGTH

All individual sections are joined together onsite using the joiner kits provided. Lumenwerx offers joiner kits that are extremely simple to work with in the field and result in a fixture that appears virtually seamless with no light leak at any connection.

Joining system



Drywall joining

Grid joining

ELECTRICAL

Factory-set, adjustable output current LED driver with universal (120-277VAC) input. Dimmable from 100% to 1% with 0-10V dimming control. Rated life (90% survivorship) of 50,000 hours at 50°C max. ambient (and 70°C max. case) temperature. At maximum driver load: Efficiency>84%, PF>0.9, THD<20%. Other specifiable options include Lutron Hi-Lume 1% (specify 2-wire, or Ecosystem Dim-to-Off), Lutron 5-Series (5% Ecosystem) and DALI protocol drivers. All of our standard 0-10V drivers are NEMA 410 compliant.

EMERGENCY

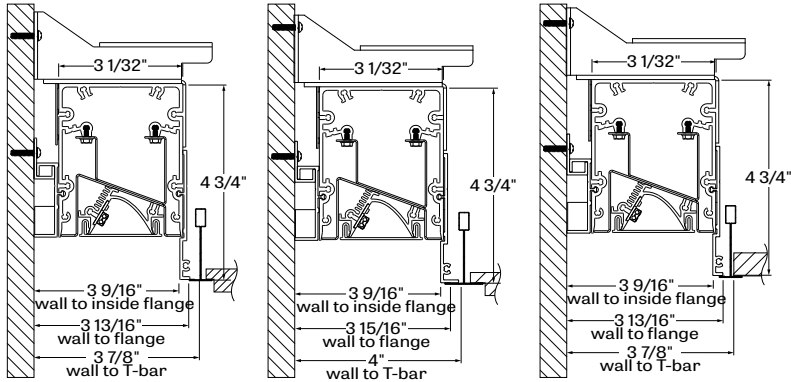
Factory installed long life high temperature recyclable Ni-Cad battery pack with test switch and charge indicator, minimum of 90 minutes operation, up to 1000 lumens per 4ft (25°C) emergency lighting output. Recharge time of 24 hours.

VIA SKIM 3 LED

RECESSED

MOUNTING OPTIONS

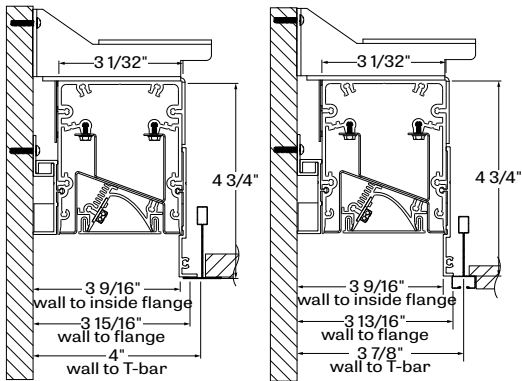
Recess mount into exposed or concealed T-Bar or Tegular grid ceiling,



TG9 - tegular 9/16"

TG15 - tegular 15/16"

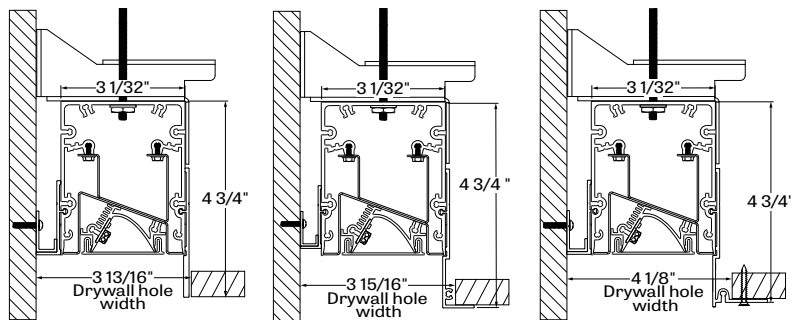
TB9 - t-bar 9/16"



TB15 - t-bar 15/16"

ST - screw slot t-bar

Mounting for drywall ceilings are available with visible trim, mud flange, trim or trimless.



DTL - drywall trimless

DTR - drywall trim

DMF - drywall mud flange

FINISH

Interior - 95%, reflective matte powder coated white paint

Exterior - matte white or aluminum powder coating.

Custom finishes are also available.

CONSTRUCTION

Housing - Extruded aluminum (0.095" nominal) up to 90% recycled content

Interior brackets - Die formed cold rolled sheet steel 18 gauge thick

Joining system - Die cast zinc (0.95" nominal) and die formed galvanized sheet 18 gauge

Reflectors - Extruded aluminum (0.070" nominal) up to 90% recycled content.

Recessed flanges - Extruded aluminum (0.075" nominal) up to 90% recycled content

End plate - Die formed cold rolled sheet steel 18 gauge thick

MAINTENANCE

LED boards are housed in a removable cartridge for easy replacement. Driver is accessible from below.

WEIGHT

Via Skim 3 4ft - 11.23lbs - 5.1kg

Via Skim 3 8ft - 22.47lbs - 10.2kg

Via Skim 3 12ft - 33.70lbs - 15.3kg

CERTIFICATIONS

ETL - Rated for Indoor Dry/Damp locations.

Conforms to UL Standard 1598 and certified to CAN/CSA Standard C22.2 No. 250.0.

Chicago plenum - City of Chicago Approved (CCEA)

IC rated - suitable for direct contact with insulation.

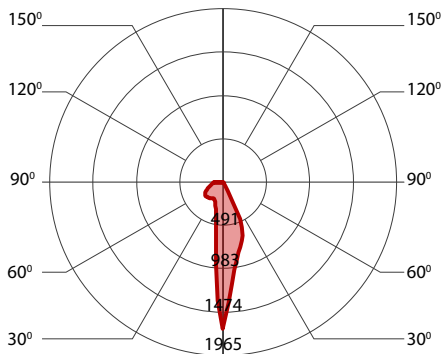
WARRANTY

Lumenwerx provides a five-year limited warranty of electrical and mechanical performance of the luminaires, including the LED boards, drivers, and auxiliary electronics. Lumenwerx will repair or replace defective luminaires or components at our discretion, provided they have been installed and operated in accordance with our specifications. Other limitations apply, please refer to the full warranty on our website.

VIA SKIM 3 LED

RECESSED

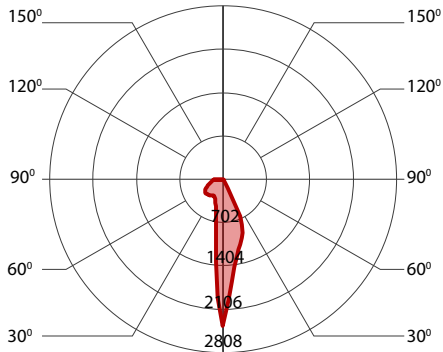
350 LUMEN AT 80CRI - LOW OUTPUT



PERFORMANCE PER 4'

LED output	Color Temp	Watts	Nominal Delivered Lumens	Efficacy LPW
low output	3000K	20	1400	71
low output	3500K	19	1400	73
low output	4000K	19	1400	75

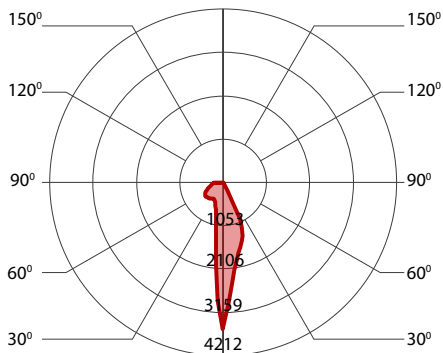
500 LUMEN AT 80CRI - MEDIUM OUTPUT



PERFORMANCE PER 4'

LED output	Color Temp	Watts	Nominal Delivered Lumens	Efficacy LPW
medium output	3000K	28.5	2000	70
medium output	3500K	28	2000	72
medium output	4000K	27	2000	74

750 LUMEN AT 80CRI - HIGH OUTPUT



PERFORMANCE PER 4'

LED output	Color Temp	Watts	Nominal Delivered Lumens	Efficacy LPW
high output	3000K	45	3000	67
high output	3500K	43.5	3000	69
high output	4000K	42	3000	71