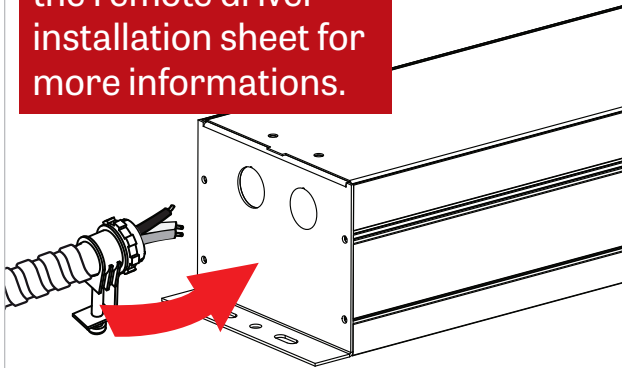


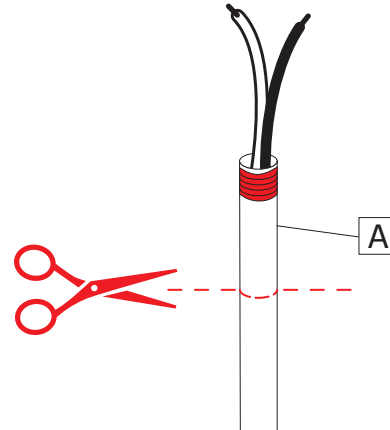
**NOTE:** Wire dimming conductors as Class 1

### 1 REMOTE DRIVER BOX

Please refer to the remote driver installation sheet for more informations.

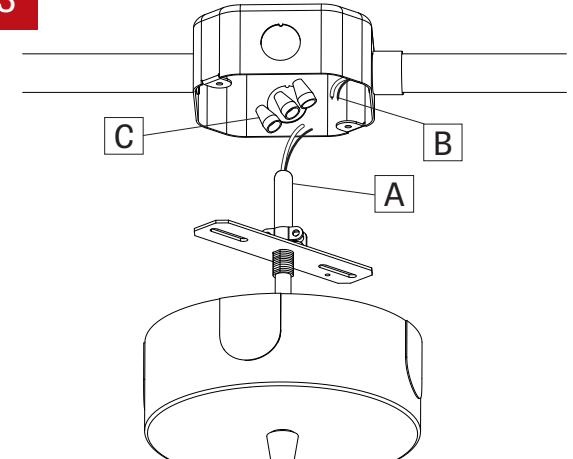


### 2



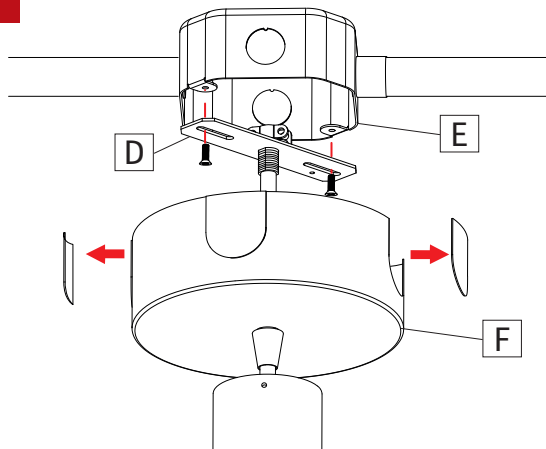
Adjust the cable length by cutting and stripping the fixture cable (A) to the desire length for the height of the fixture.

### 3



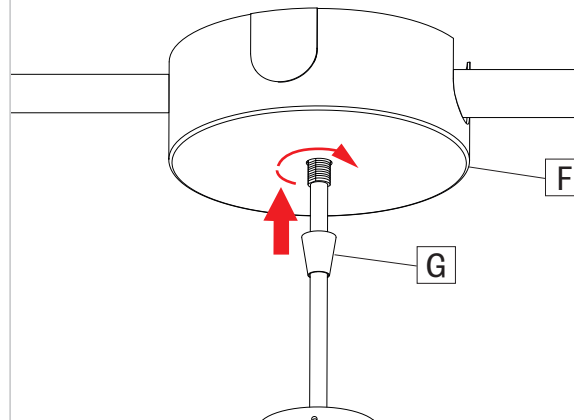
Make the electrical connection between the fixture cable (A) and the main power (B) with the marettes (C).

### 4



Fix the Cross bar (D) to the Junction box (E) using screws. Punch out the knock outs of the Canopy (F) to allow the conduits to fit.

### 5



Thread on the Decorative Nut (G) onto the threaded Cross bar to secure the Canopy (F)