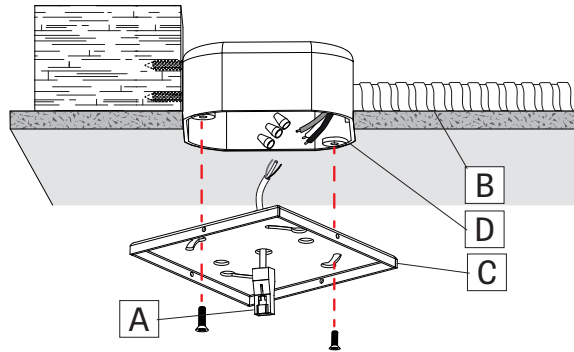


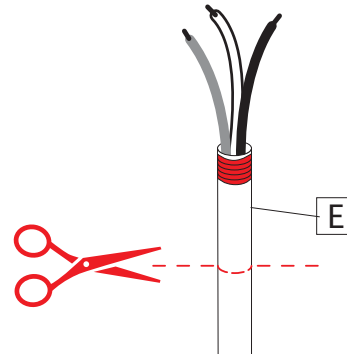
NOTE: Wire dimming conductors as Class 1

1 CABLE INSTALLATION



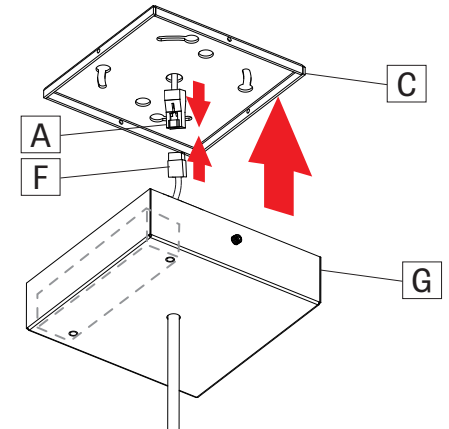
Connect the Main Power Quick Connect (A) to the BX cable (B). Secure Universal Crossbar (C) onto the Junction box (D).

2 CABLE INSTALLATION



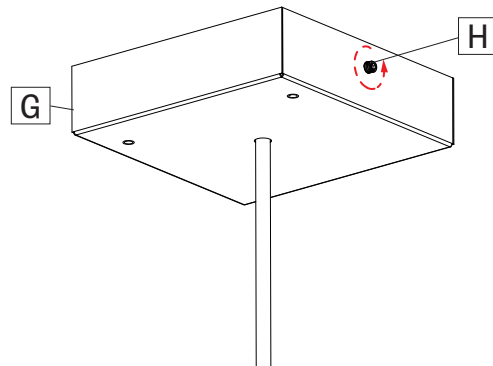
Adjust the cable length by cutting and stripping the fixture cable (E) to the desired length for the height of the fixture. Reconnect the cables to the driver once adjustment is made.

3 CABLE INSTALLATION



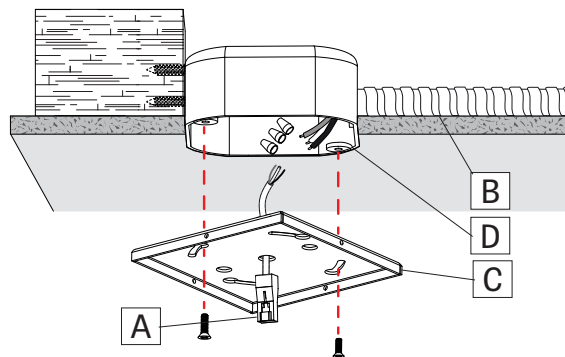
Connect the Fixture Quick Connect (F) to the Main power Quick Connect (A). Secure the Canopy (G) onto the Universal Crossbar (C).

4 CABLE INSTALLATION



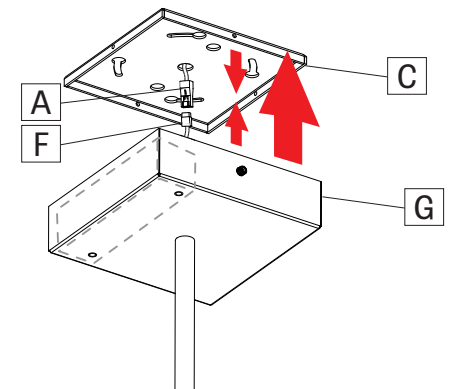
Secure the Canopy (G) by tightening the Set screws (H)

5 STEM INSTALLATION



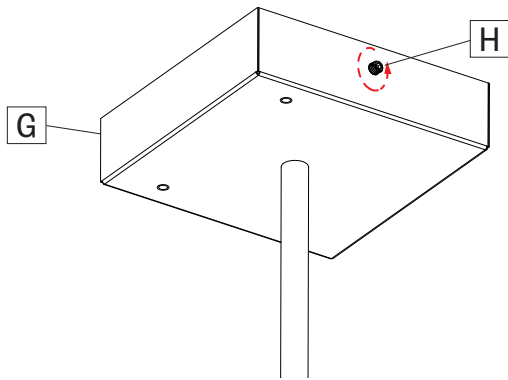
Connect the Main Power Quick Connect (A) to the BX cable (B). Secure Universal Crossbar (C) onto the Junction box (D).

6 STEM INSTALLATION



Connect the Fixture Quick Connect (F) to the Main power Quick Connect (A). Secure the Canopy (G) onto the Universal Crossbar (C).

7 STEM INSTALLATION



Secure the Canopy (G) by tightening the Set screws (H)