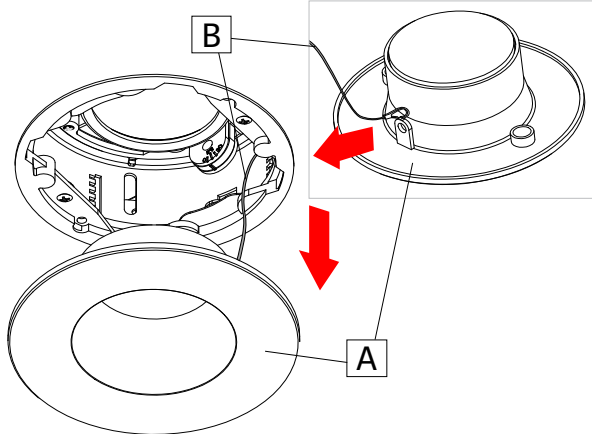


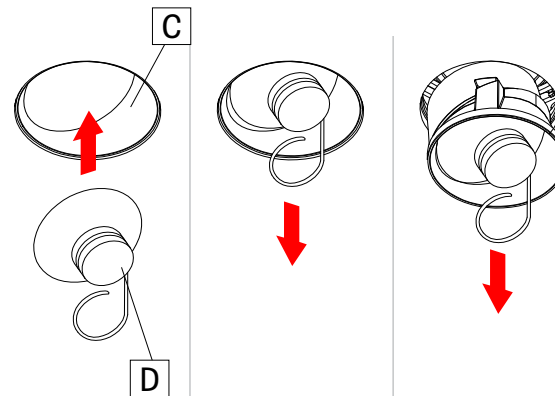
NOTE: Wire dimming conductors as Class 1

1 TRIM REMOVAL



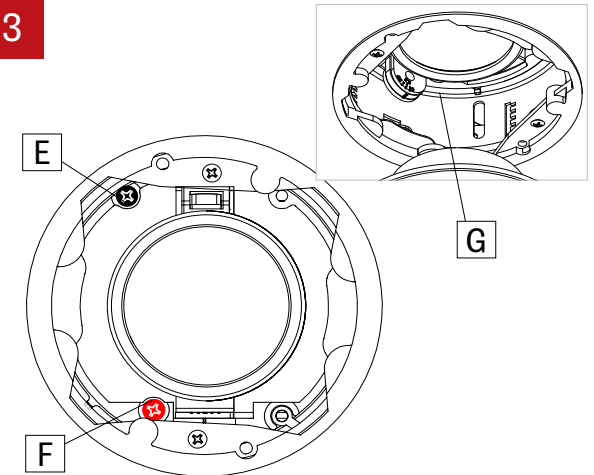
For trim installation, detach trim (A) and unhook safety wire (B). Safely store detached trim to the side.

2 WALL WASH BAFFLE REMOVAL



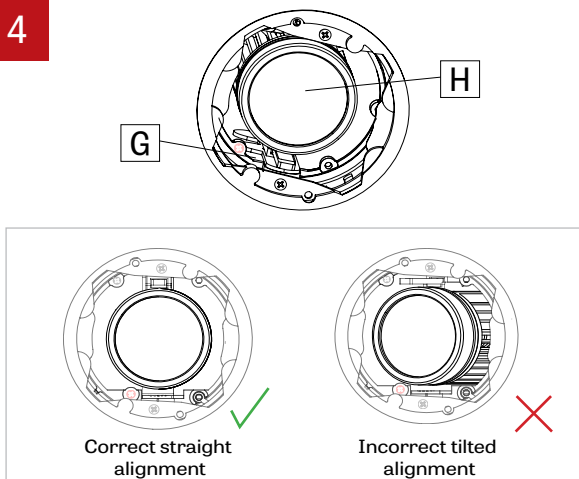
For trimless wall wash installation, detach baffle (C) by using provided suction tool (D). Stick tool on baffle lens and pull.

3



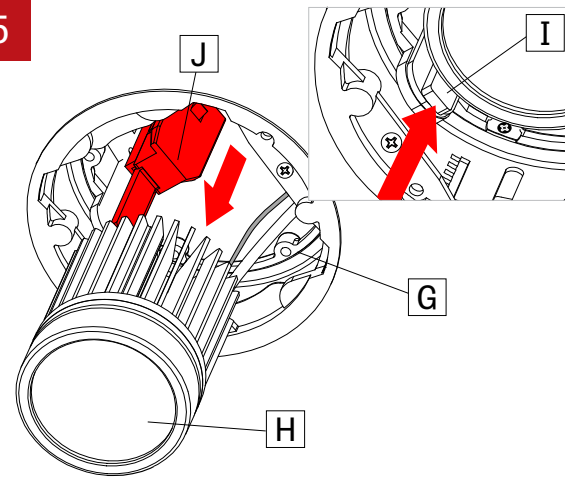
Slightly unscrew white screw (E) and red screw (F) located inside to allow rotation of the adjusting mechanism (G).

4



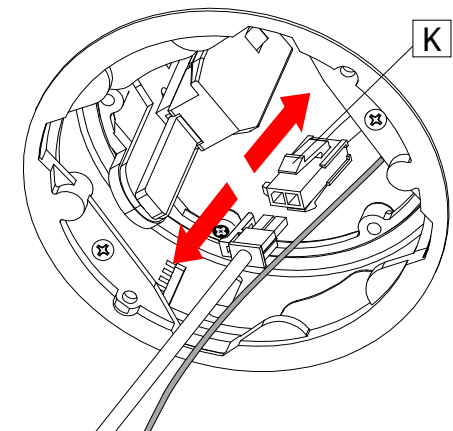
Straighten light element (H) by rotating and tilting the adjusting mechanism (G) to allow its removal in the next step.

5

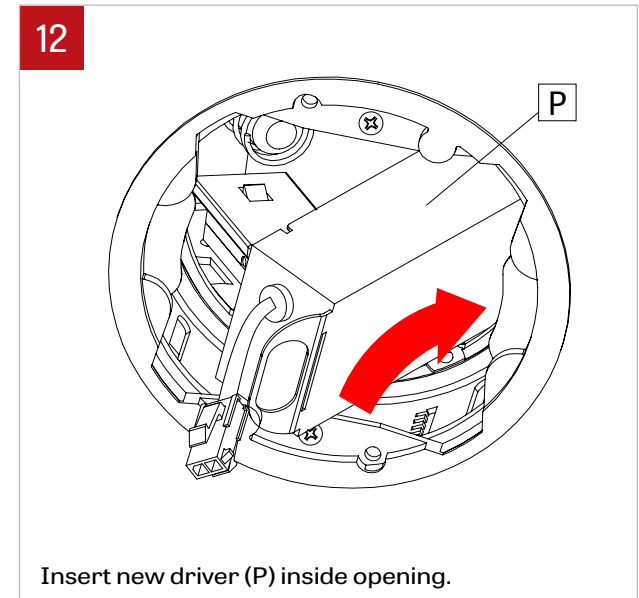
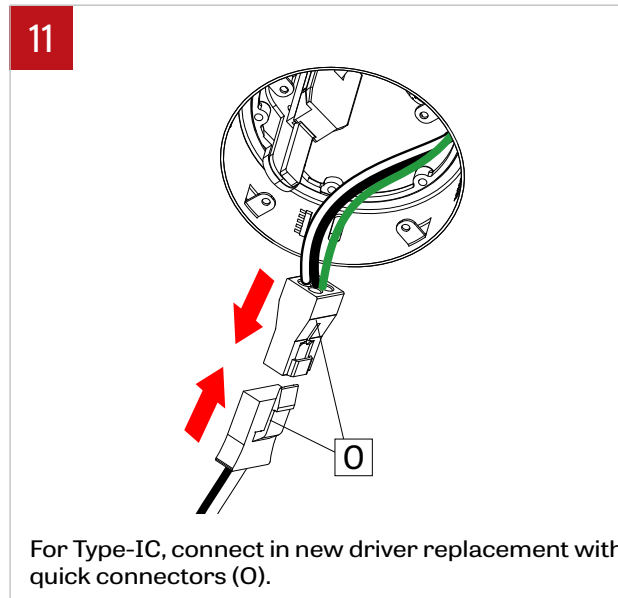
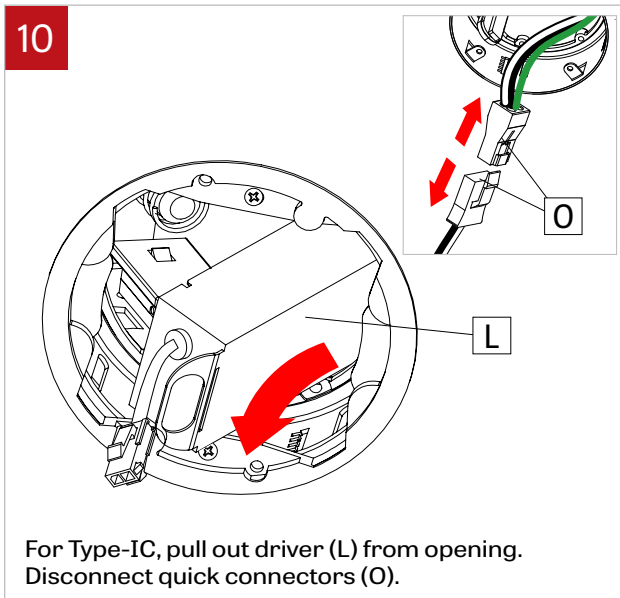
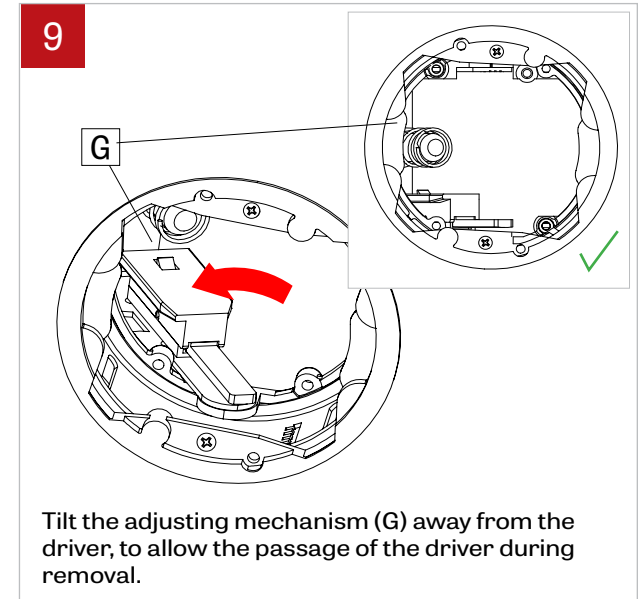
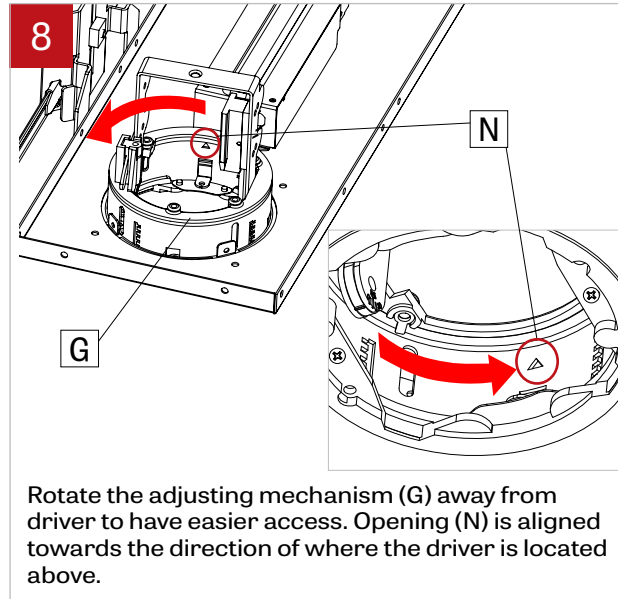
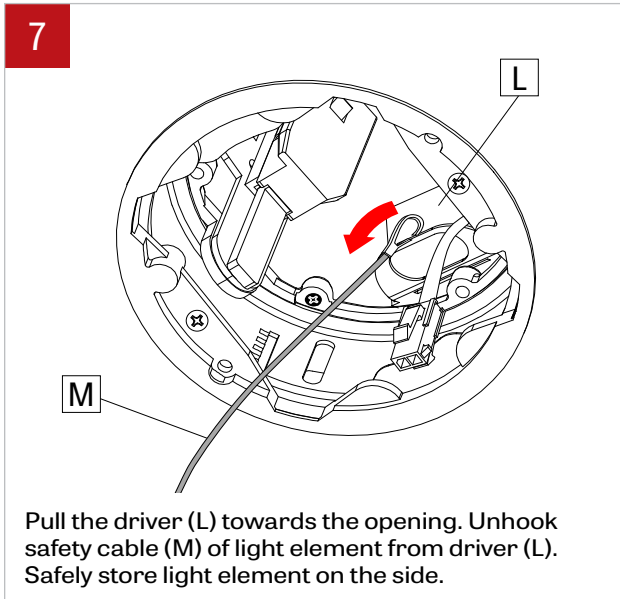


Push tab (I) on the side of the light element (H) to release it from the adjusting mechanism (G). Slide light element (H) from the track system (J).

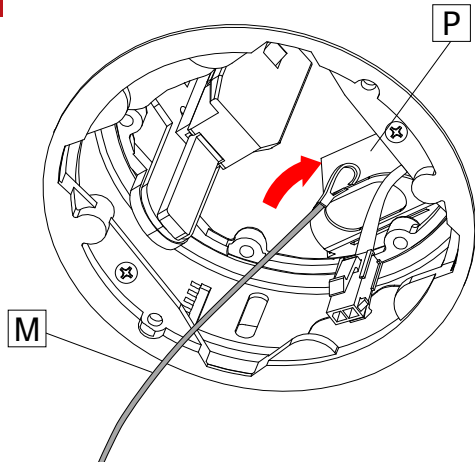
6



Disconnect the quick connectors (K) between the light element and the driver.

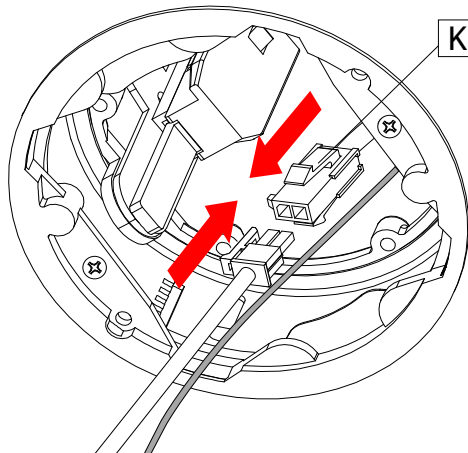


13



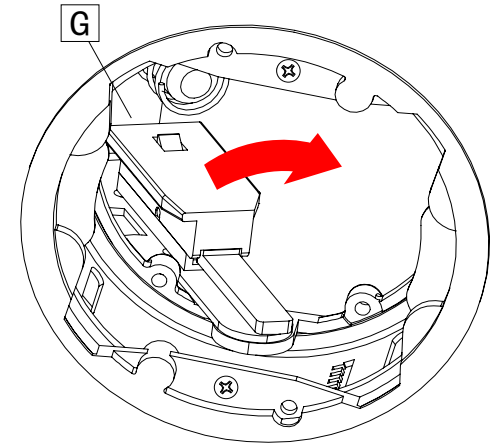
Hook the safety cable (M) of the light element to the new driver (P).

14



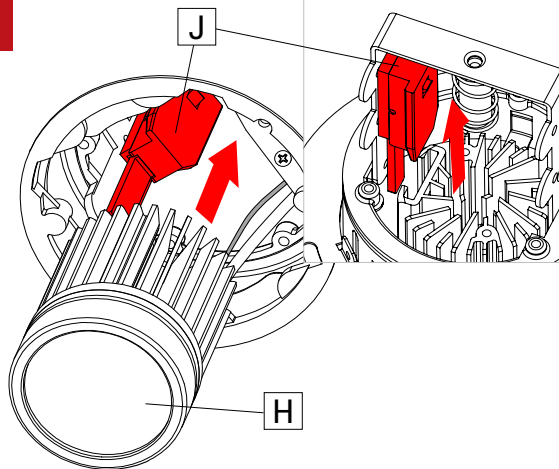
Reconnect light element to new driver with quick connectors (K).

15



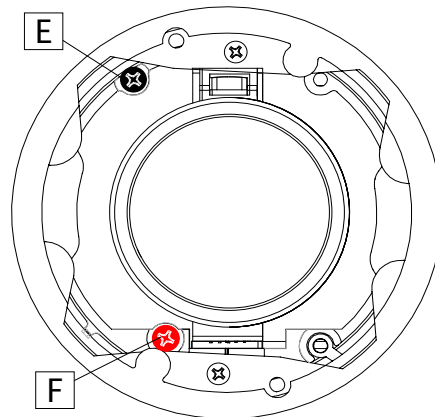
Tilt the adjusting mechanism (G) until straight.

16



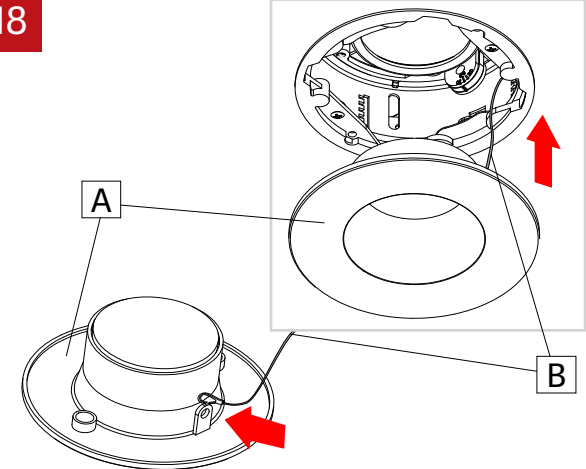
Insert light element (H) through track system (J). For standard depth, install until first click. For deep recessed depth, install until secondary click.

17



Reposition light element in starting position and retighten white screw (E) and red screw (F).

18



Hook safety wire (B) to trim (A) and reattach to ceiling.