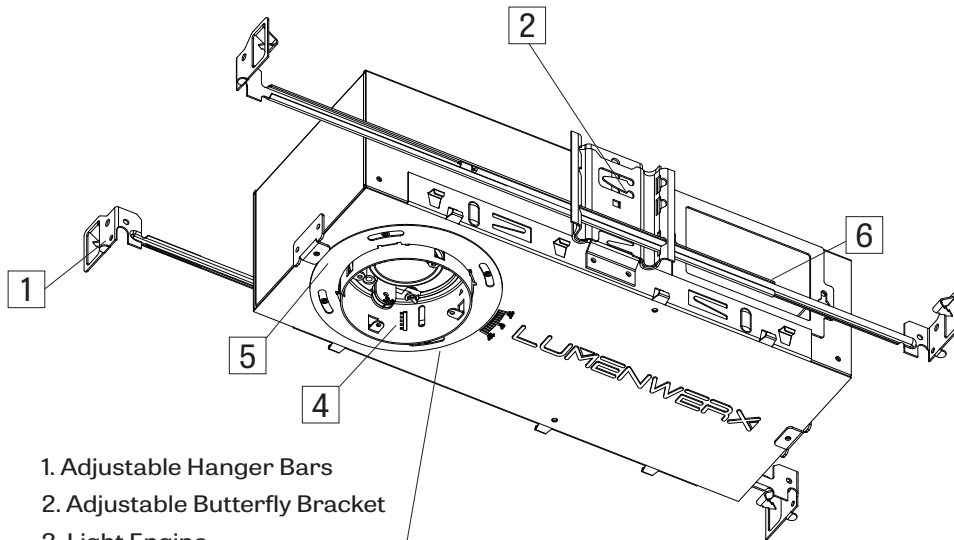


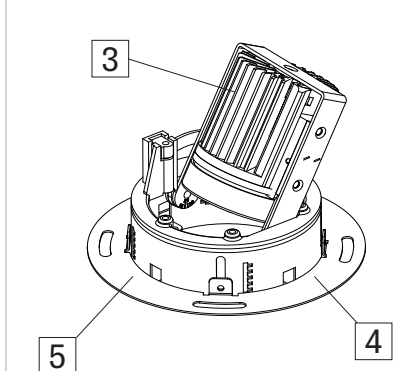
NOTE: Wire dimming conductors as Class 1

OVERVIEW



1. Adjustable Hanger Bars
2. Adjustable Butterfly Bracket
3. Light Engine
4. Trim Collar
5. Collar Plate
6. Wiring Door

INSIDE THE HOUSING



WARNING

- Install per national installation and accident prevention regulations.
- Clearance between sides of luminaire and parts of building must be 1/2" minimum; clearance to insulating materials to be 3" minimum, unless luminaire is IC rated.
- Fixtures must be installed in applications where the ambient temperature does not exceed 40°C during normal operation.
- DO NOT connect or disconnect LED board wire connector when fixture is energized. This may result in permanent damage to the LED array.
- Warranty claims will not be accepted if incorrect driver or light engine is used.
- DO NOT cover the LIGHT ENGINE lens or heatsink with any materials or adhesive tapes.

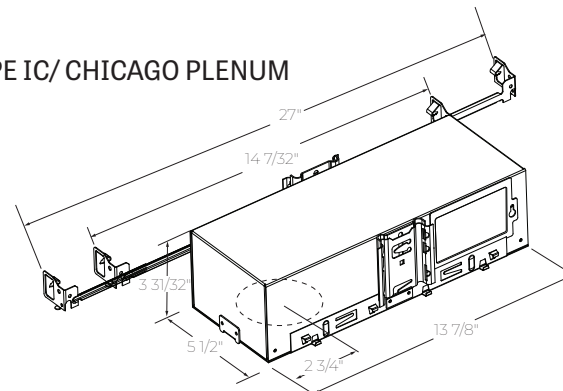
INSTALLATION STEPS

1. **Housing** (VO2RR/VO2RRWW/VO2SR/VO2SRWW): Pages 2-3
2. **Light engine** (VO2): Page 4-6
3. **Electrical connection**: Pages 7-8
4. **Baffle** (VO2RRB/VO2SRB): Page 9

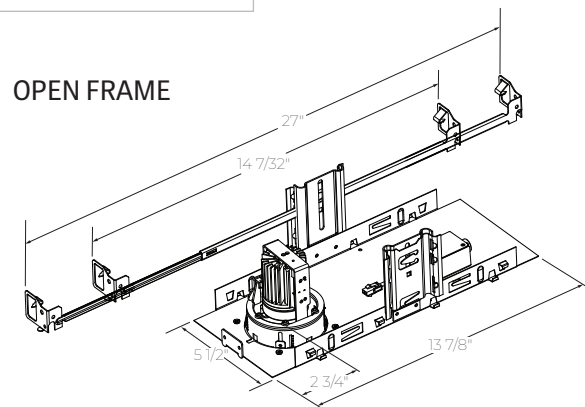
TOOLS REQUIRED

1. Philips screw driver
2. Allen key included
3. Hole saw 3 1/4"

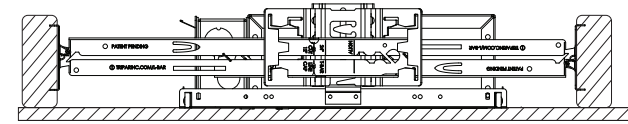
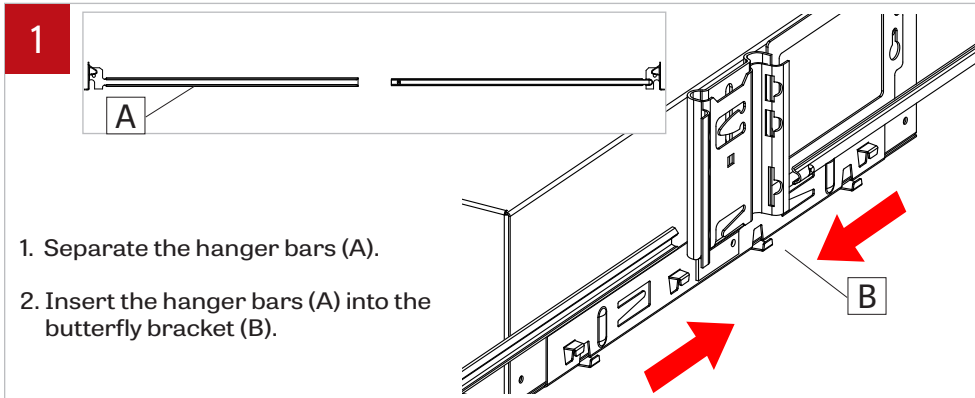
TYPE IC/ CHICAGO PLENUM



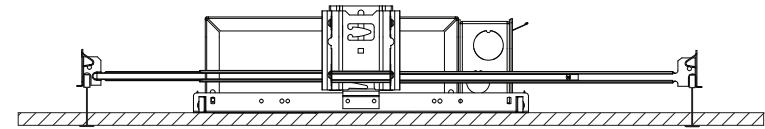
OPEN FRAME



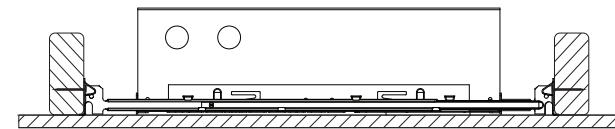
OPEN FRAME OR IC/CHICAGO INSTALLATION PROCESS



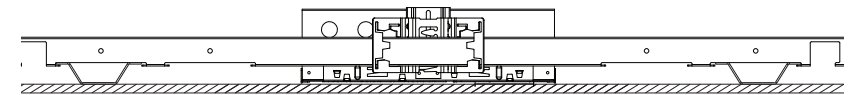
ACB - Adjustable Commercial Bar Hangers



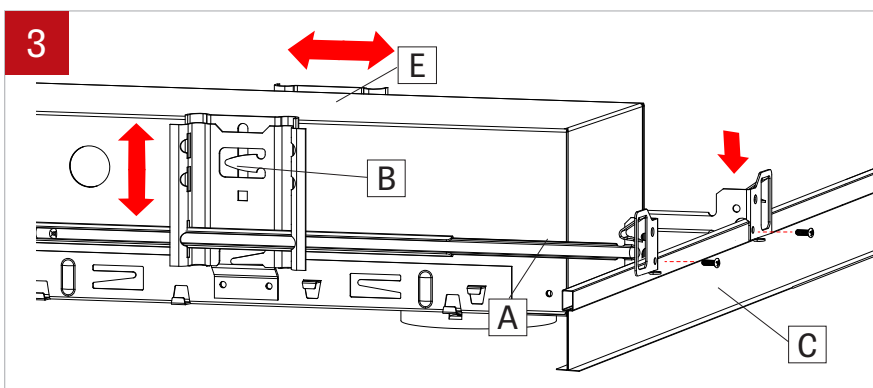
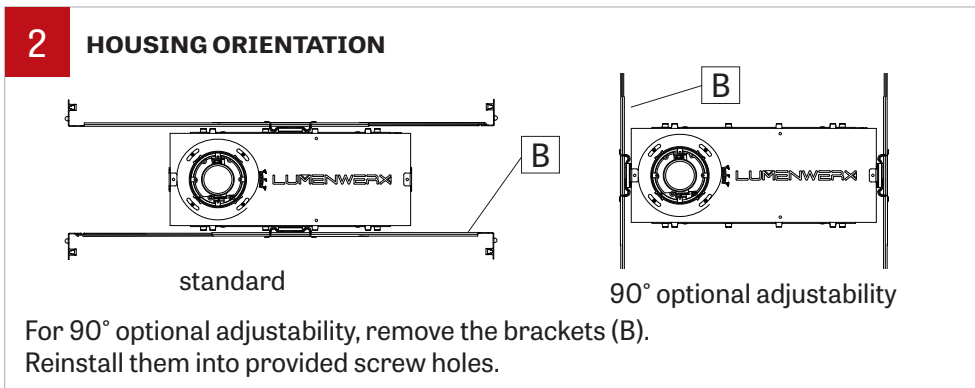
ASB - Adjustable Standard Bar Hangers



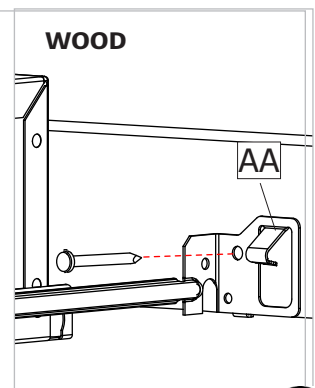
FMB - Flush Mount Bars



AHC - Adjustable Hat Channel Bars

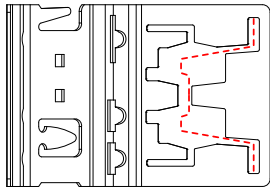


1. Mount the hanger bars (A) on ceiling grid or T-bar (C).
2. Adjust the butterfly bracket (B) to suit the ceiling. The butterfly height is adjustable from -1" to 3".
3. Find the desired position sliding the housing (E). Fix the hanger bars (A).
4. For the wood, use the provided nailing hook (AA), or wood screws, to secure the bars.

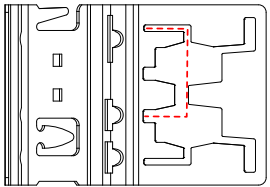


ACB MOUNTING OPTIONS

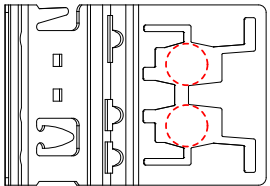
Furring Strip Channel



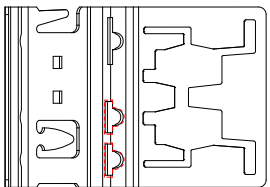
1/2" X 1-1/2" Channel (2 positions)



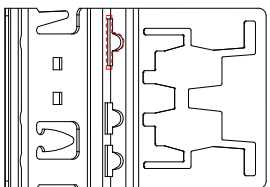
1/2" Diameter EMT



1/2" Bar Hangers 1287 & 1240



5/8" - 3/4" Bar Hangers



1

Squeeze the edges of the butterfly bracket to unlock. This step applies to all variations of hanger bars installed into this bracket.

2

Slide in the bracket.

3

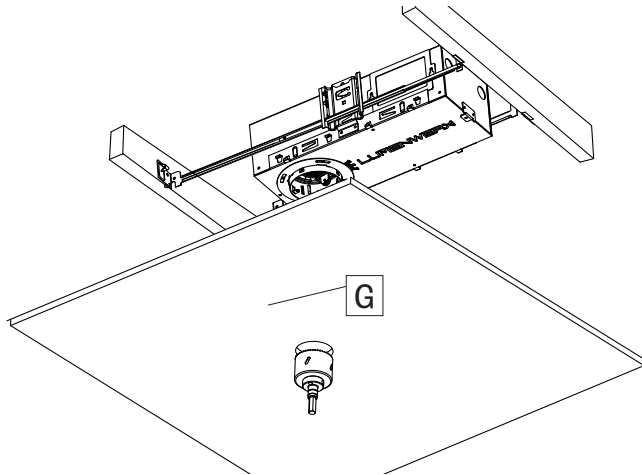
Insert the second bracket.

4

Push the bracket in and adjust the length.

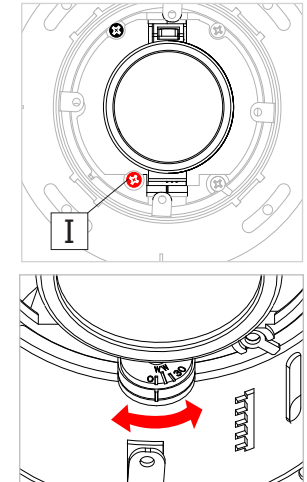
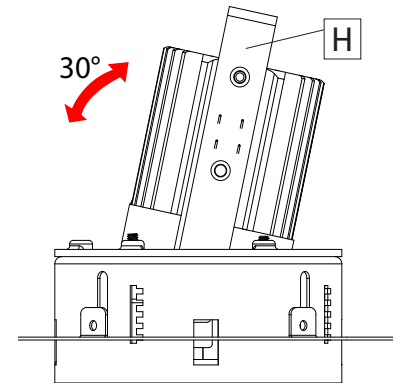
LIGHT ENGINE INSTALLATION & ADJUSTABILITY

1 CEILING PREPARATION



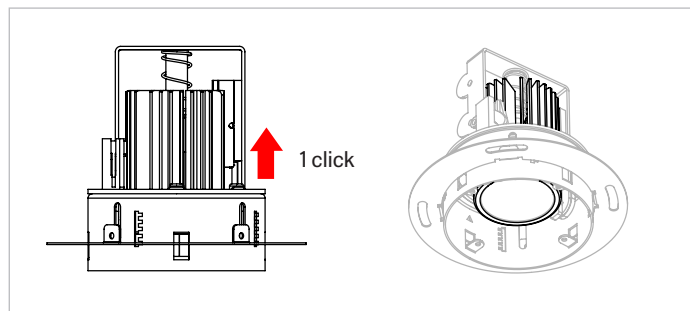
Cut the ceiling with the hole saw (3 1/4") (G). For the square, use the drywall knife.

2 VERTICAL TILT ADJUSTMENT

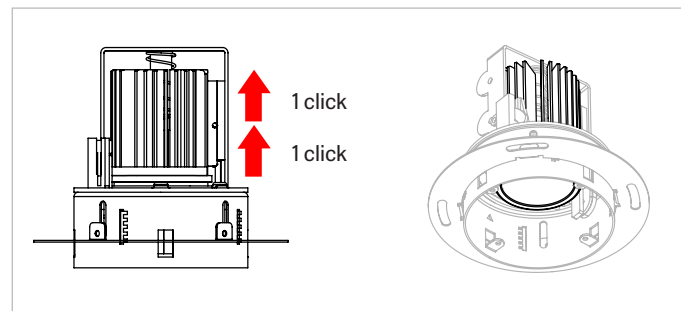


Adjust the tilt (H) from 0° to 30° by releasing the red locking screw (I).

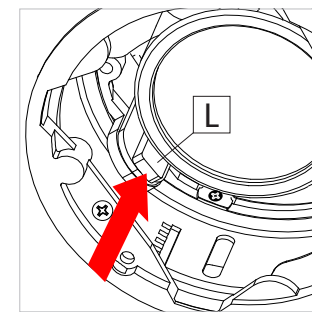
3 LIGHT ENGINE ADJUSTABILITY



STANDARD



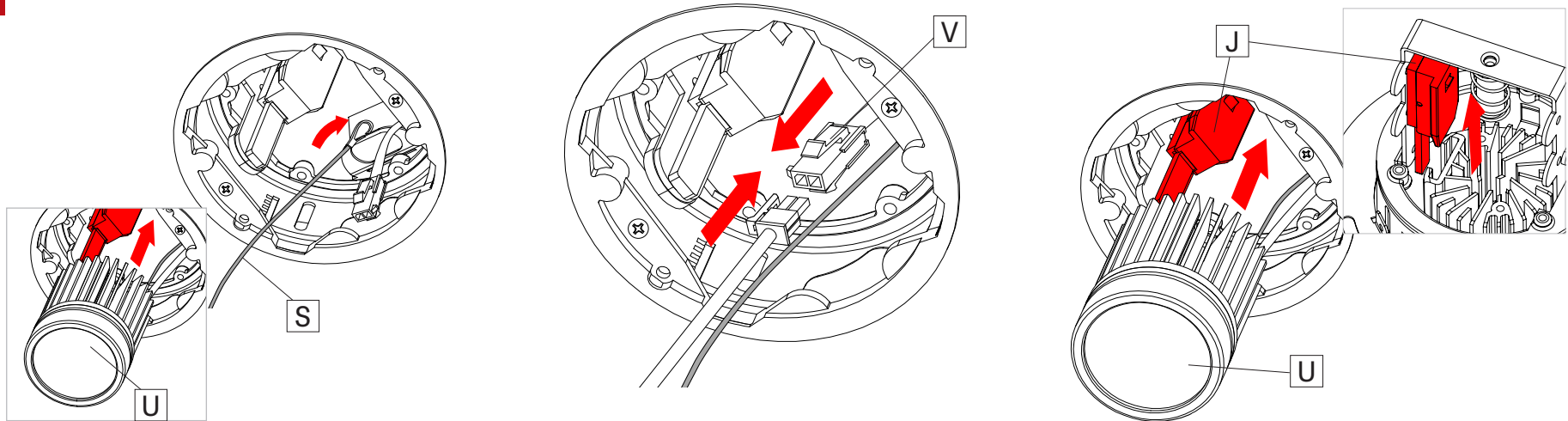
DEEP REGRESSED



For standard adjustment, click-in light engine once. For deep regressed adjustment, click-in light engine 2 times. To un-click, push tab (L) next to light engine.

LIGHT ENGINE INSTALLATION & ADJUSTABILITY

4 INSTALL LIGHT ENGINE

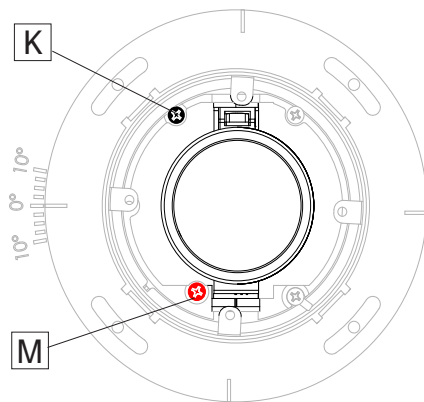


Hook the safety cable (S) of the light engine (U) to the driver.

Connect light engine to driver with quick connectors (V).

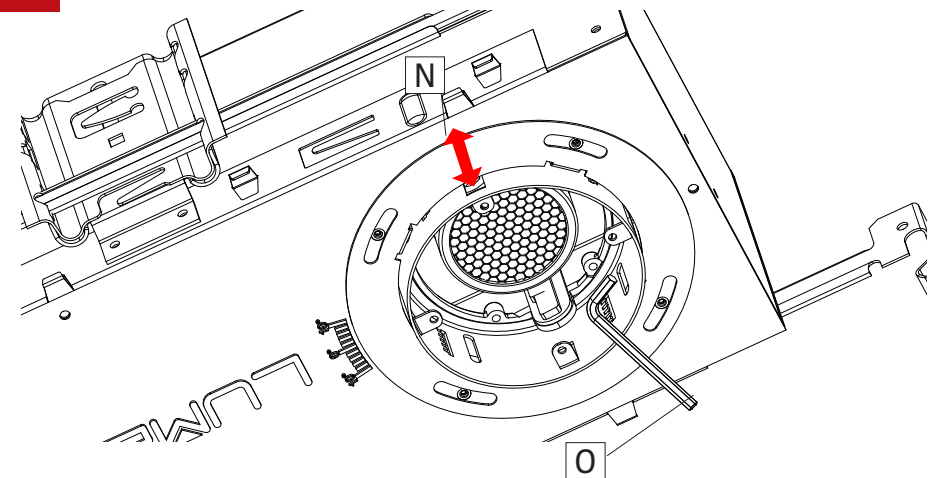
Insert light engine (U) through tracking system (J) until an audible click is heard.

5 LOCK THE LIGHT ENGINE IN PLACE



Lock into the desired position by tightening both the vertical tilt and the horizontal beam aim with red screw (M) and white screw (K). **Wall washers are pre-set and adjusted in the factory.**

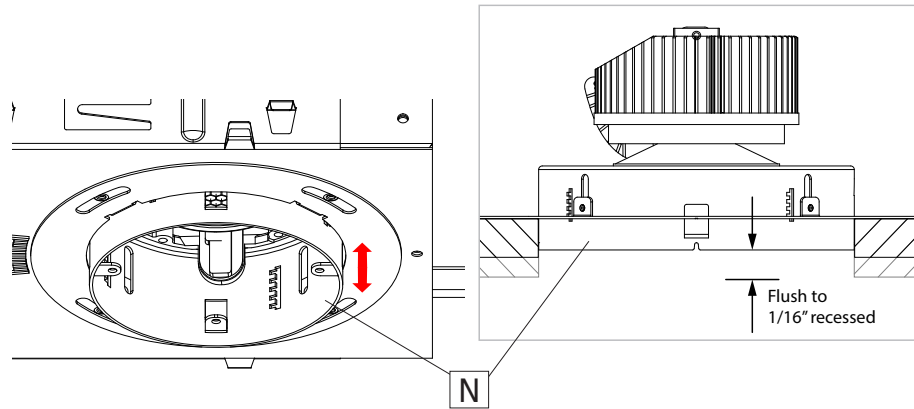
6 ADJUST THE COLLAR DEPTH



Adjust the collar (N) to suit ceiling depth with the provided Allen Key (O).

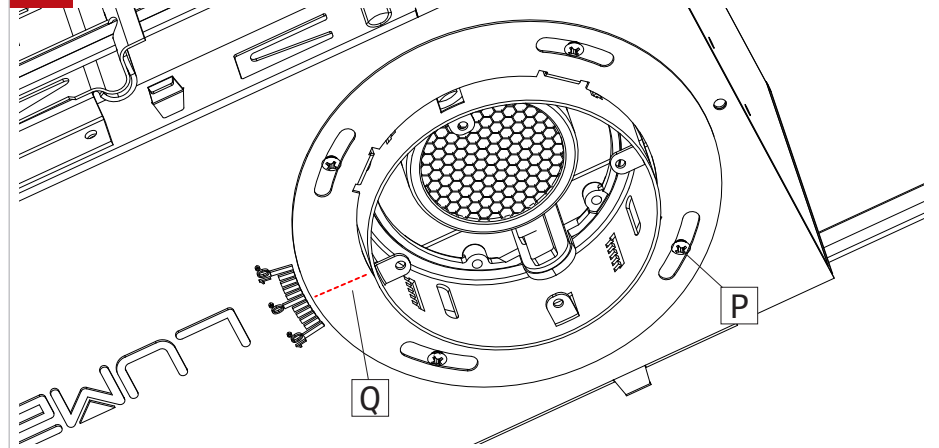
LIGHT ENGINE INSTALLATION & ADJUSTABILITY

7 COLLAR DEPTH DETAIL



Collar (N) must be adjusted flush to drywall or to 1/16" recessed from drywall.

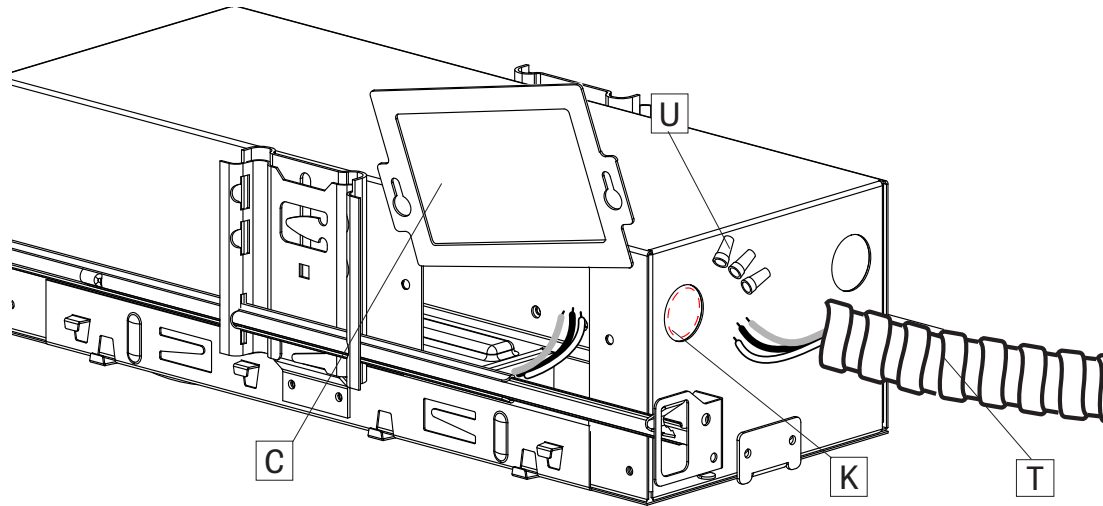
8 ALIGN THE COLLAR TO SUIT CEILING



Align the pivot screws (P) to appropriate angle based on laser level readings (Q). (Ideal for the square trims).

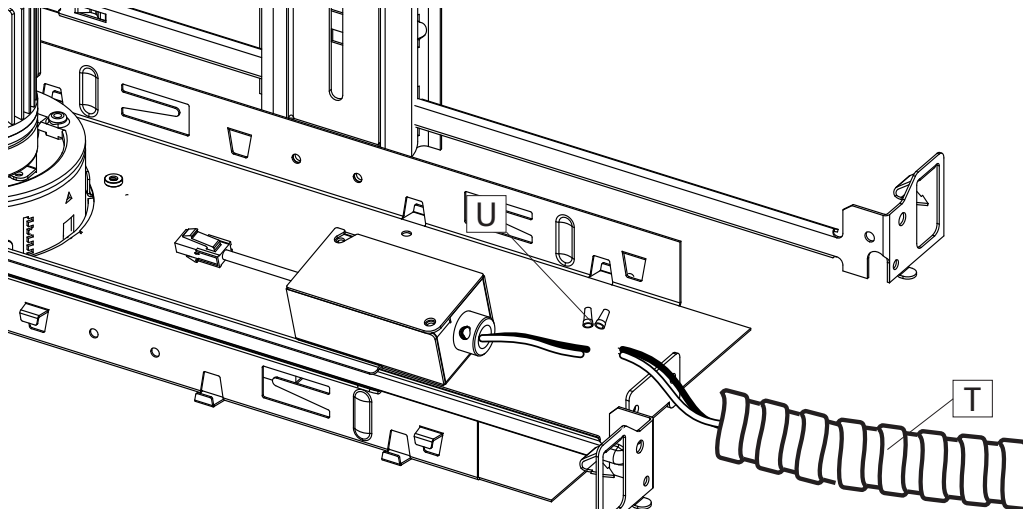
ELECTRICAL CONNECTION

IC TYPE/ CHICAGO PLENUM



1. Remove knock-outs (K).
2. Remove the cover (C) to access the wires inside.
3. Bring the BX cable (T) and make the electrical connection securing the wires together with the wire nuts (U).
4. Reinstall cover (C) after connecting the wires.

OPEN FRAME

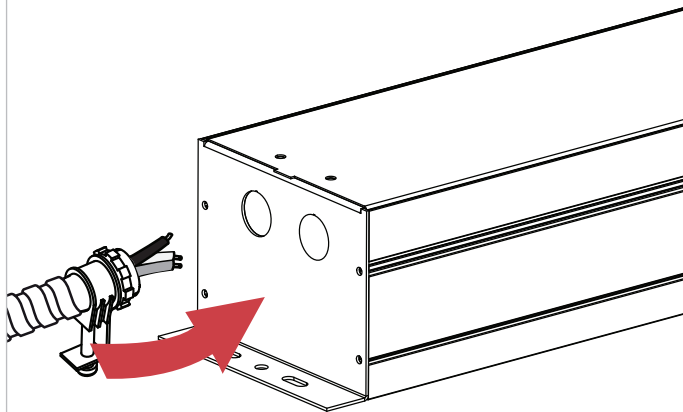


1. Bring the BX cable (T) and make the electrical connection securing the wires together with the wire nuts (U).

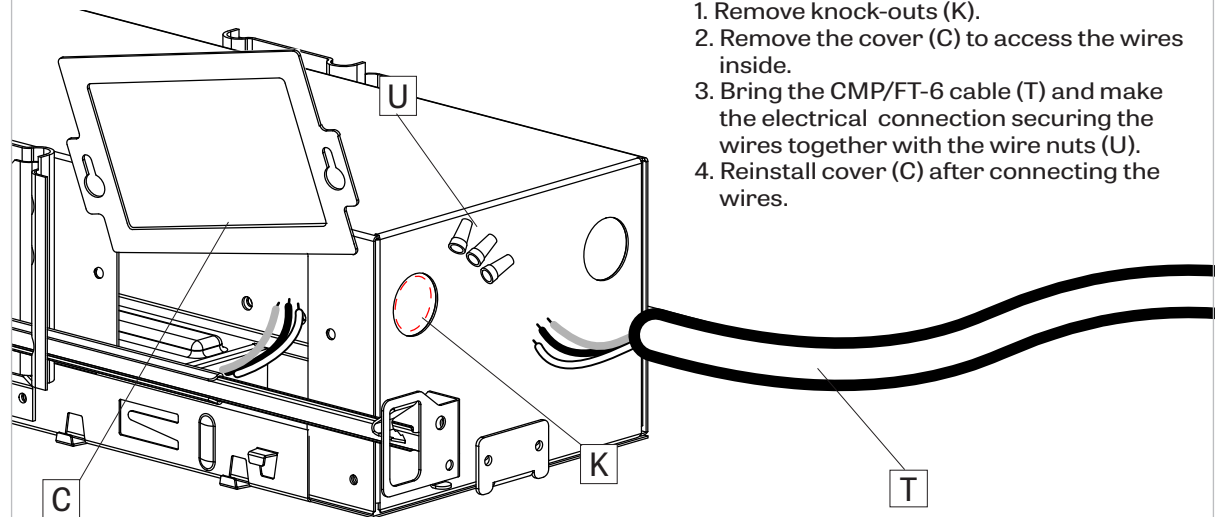
ELECTRICAL CONNECTION WITH THE REMOTE DRIVER

REMOTE DRIVER

Please refer to the remote driver installation sheet for more information.

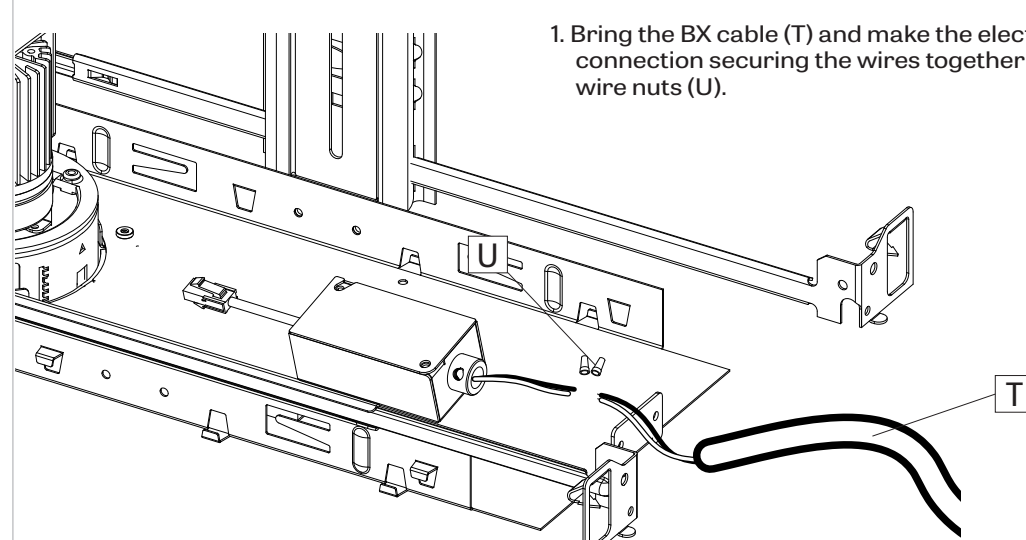


IC TYPE/ CHICAGO PLENUM



1. Remove knock-outs (K).
2. Remove the cover (C) to access the wires inside.
3. Bring the CMP/FT-6 cable (T) and make the electrical connection securing the wires together with the wire nuts (U).
4. Reinstall cover (C) after connecting the wires.

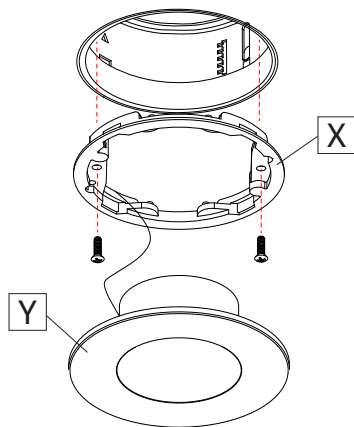
OPEN FRAME



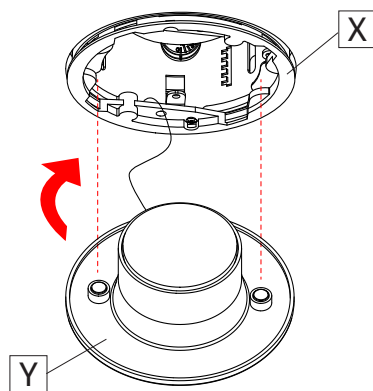
1. Bring the BX cable (T) and make the electrical connection securing the wires together with the wire nuts (U).

BAFFLES

TRIMMED

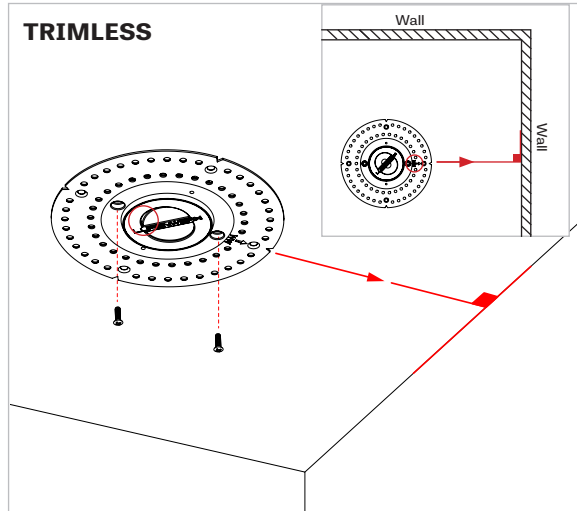


Separate the magnetic retaining ring (X) from the baffle (Y). Tighten it with screws onto the collar.

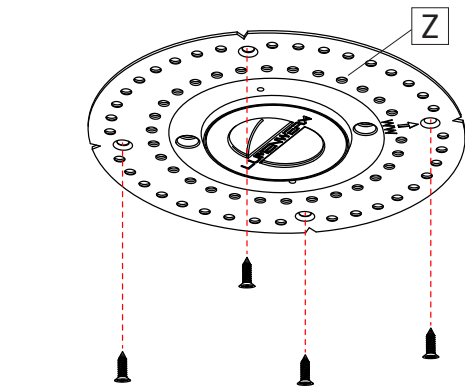


Attach the magnetic baffle (Y) on the retaining ring (X).

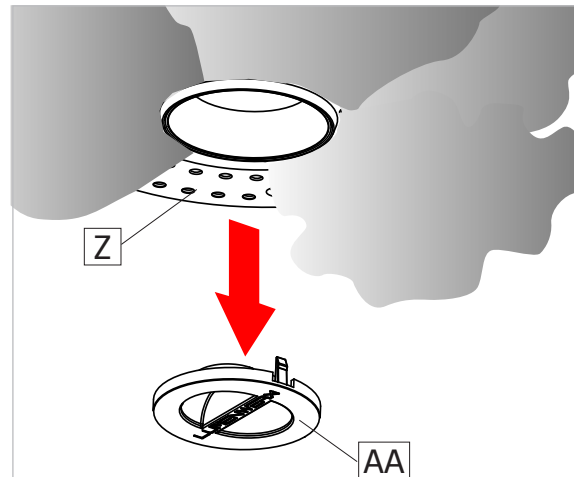
TRIMLESS



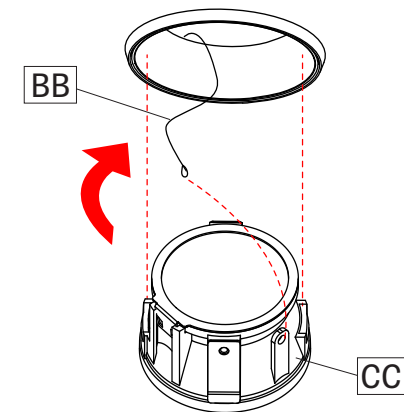
Tighten the two collar screw holes. Align wall wash indicator facing the wall to be lit (perpendicular to wall).



Optional, attach mud plate with drywall screws. **Do not drill through housing.**



Plaster and sand over the mud plate (Z). Remove the lid (AA).



Hook the safety cable (BB) to the baffle (CC). Attach the magnetic baffle (CC) on mud plate.