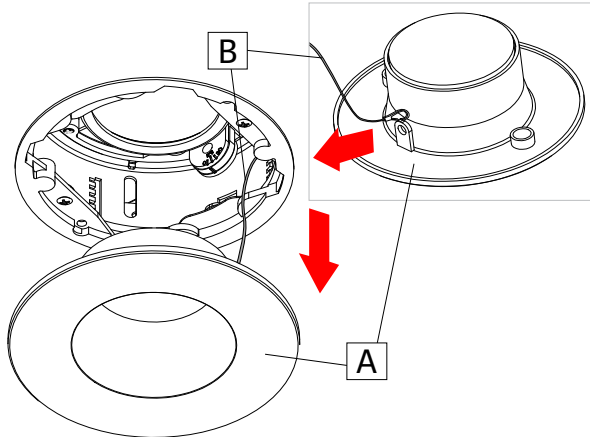


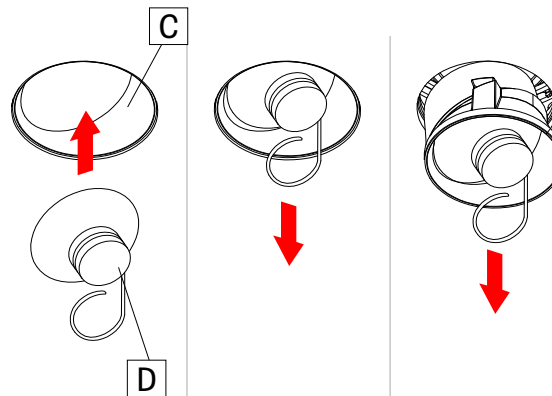
NOTE: Wire dimming conductors as Class 1

1 TRIM REMOVAL



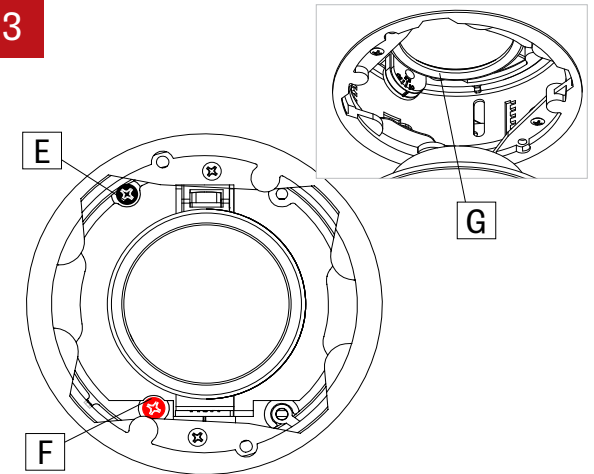
For trim installation, detach trim (A) and unhook trim from safety wire (B). Safely store it on the side.

2 WALL WASH BAFFLE REMOVAL



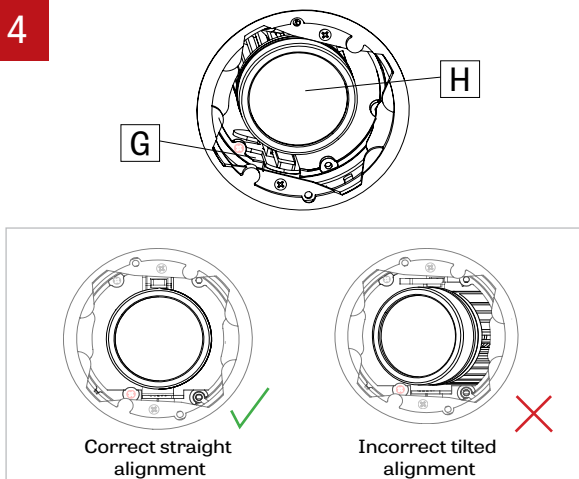
For trimless wall wash installation, detach baffle (C) by using provided suction tool (D). Stick tool on baffle lens and pull.

3



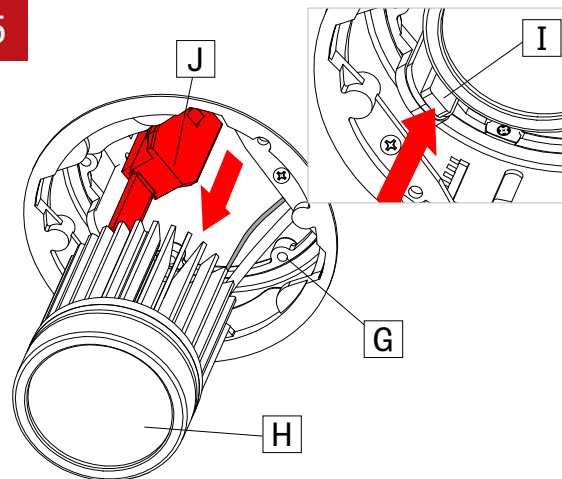
Slightly unscrew white screw (E) and red screw (F) located inside to allow rotation of the adjusting mechanism (G).

4



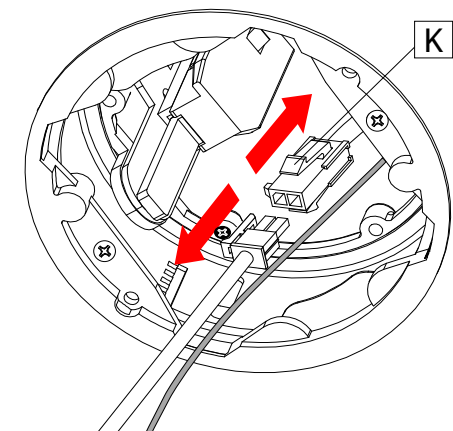
Straighten light element (H) by rotating and tilting the adjusting mechanism (G) to allow its removal in the next step.

5



Push tab (I) on the side of the light element (H) to release it from the adjusting mechanism (G). Slide light element (H) from the track system (J).

6



Disconnect the quick connectors (K) between the light element and the driver.

