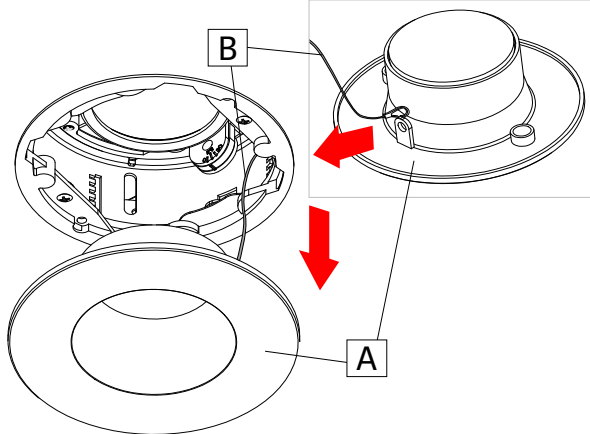


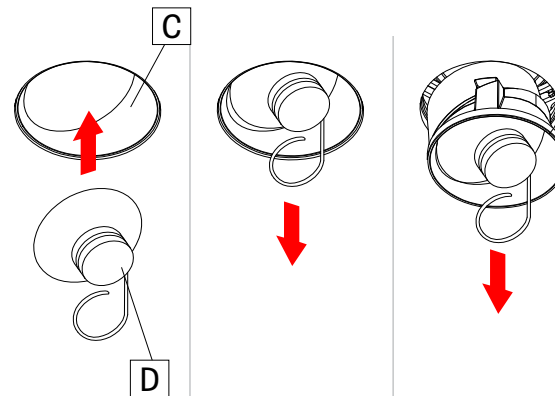
NOTE: Wire dimming conductors as Class 1

1 TRIM REMOVAL



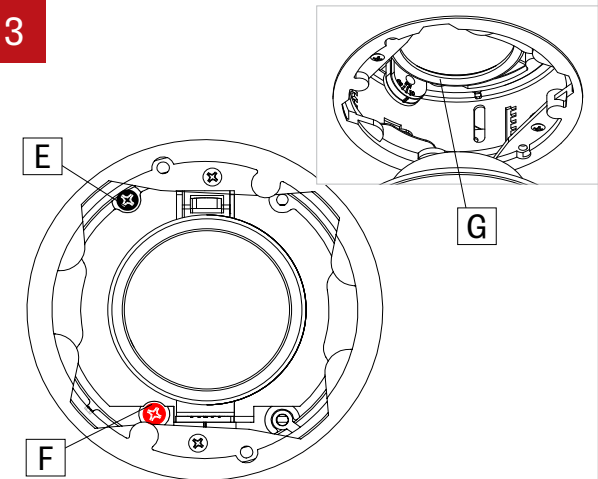
For trim installation, detach trim (A) and unhook trim from safety wire (B). Safely store it on the side.

2 WALL WASH BAFFLE REMOVAL



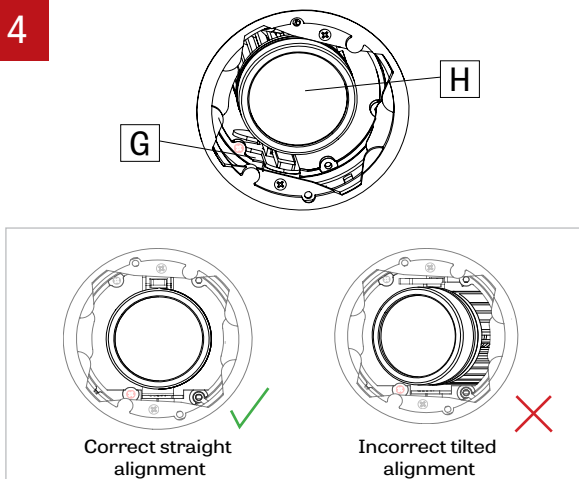
For trimless wall wash installation, detach baffle (C) by using provided suction tool (D). Stick tool on baffle lens and pull.

3



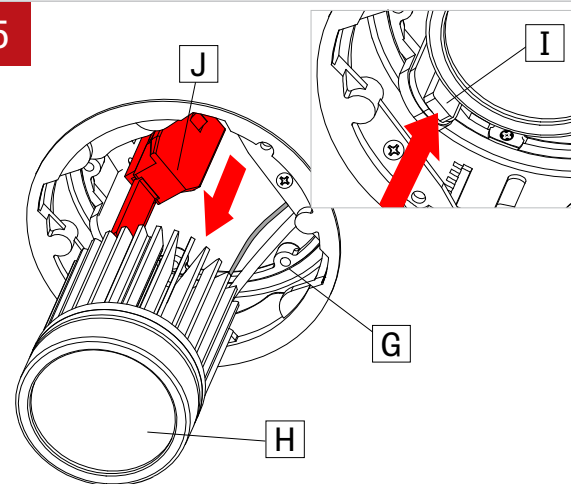
Slightly unscrew white screw (E) and red screw (F) located inside to allow rotation of the adjusting mechanism (G).

4



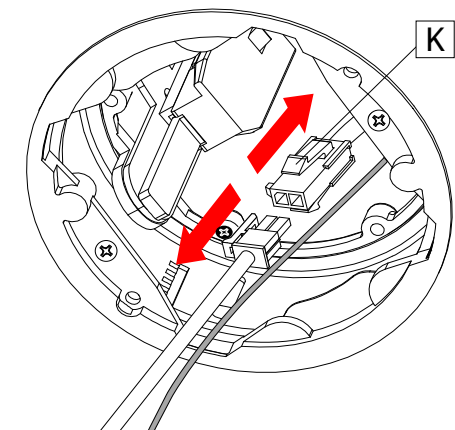
Straighten light element (H) by rotating and tilting the adjusting mechanism (G) to allow its removal in the next step.

5



Push tab (I) on the side of the light element (H) to release it from the adjusting mechanism (G). Slide light element (H) from the track system (J).

6



Disconnect the quick connectors (K) between the light element and the driver.

7

Pull the driver (L) towards the opening. Unhook safety cable (M) of light element from driver (L). Safely store light element on the side.

8

Unscrew lens cover (N) from heatsink of light element.

9

Remove optic (O) and replace with new optic (P).

10 OPTIONAL ACCESSORIES

	Cover		Cover
	Hex louver OR Linear spread lens		Linear spread lens
	Color filter		Hex louver
	Beam disk		Beam disk
	Base optic		Base optic
	Heat sink		Heat sink

If wanted, hex louver or linear spread lens can be combined with a color filter. But hex louver can not be combined with linear spread lens.

11

Correct placement

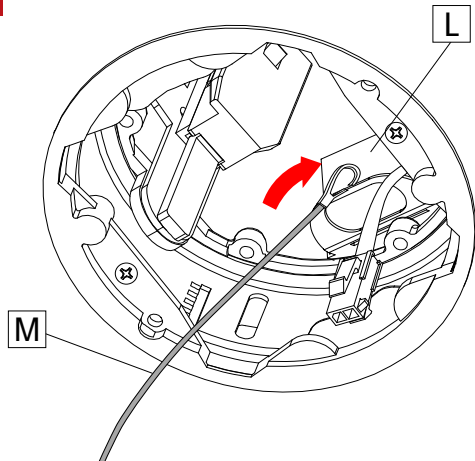
Incorrect placement

Make sure to position new optic (O) with flat surface facing outwards.

12

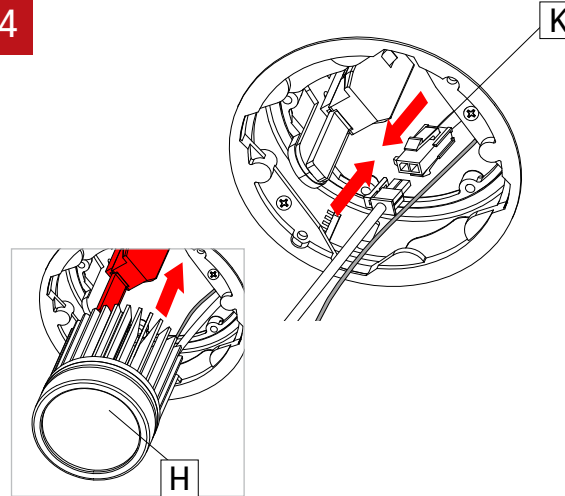
Screw lens cover (N) back onto light element.

13



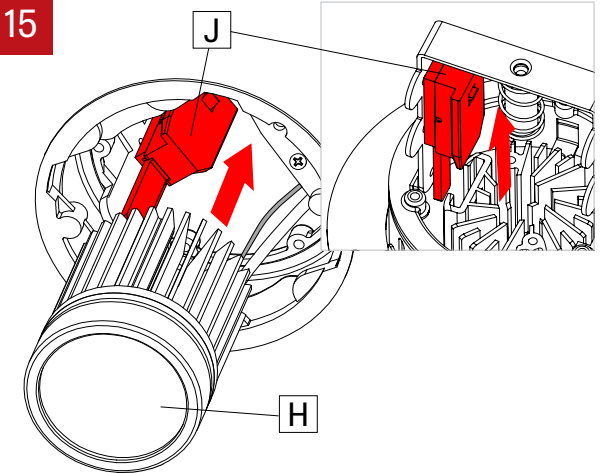
Hook the safety cable (M) of the newly modified light element to the driver (L).

14



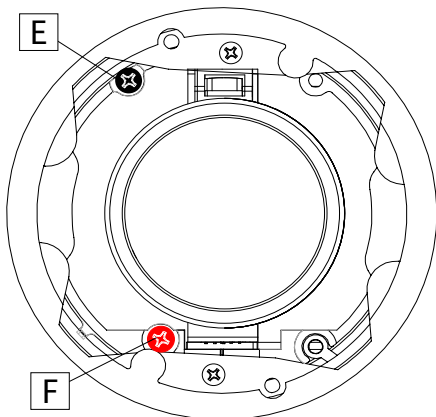
Reconnect light element (H) to driver with quick connectors (K).

15



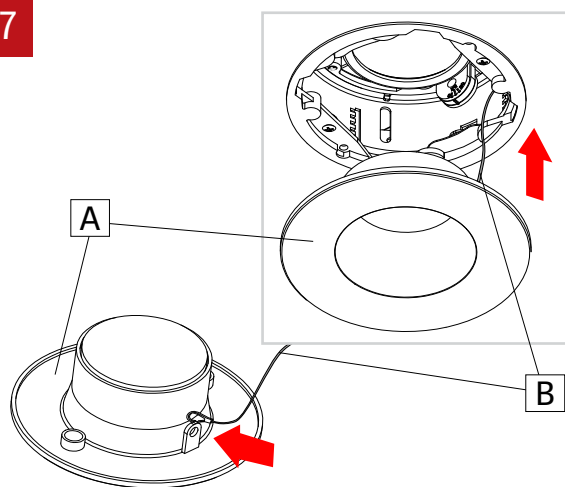
Insert light element (H) through track system (J). For standard depth, install until first click. For deep regressed depth, install until secondary click.

16



Reposition light element in starting position and retighten white screw (C) and red screw (D).

17



Hook safety wire (B) to trim (A) and reattach to ceiling.