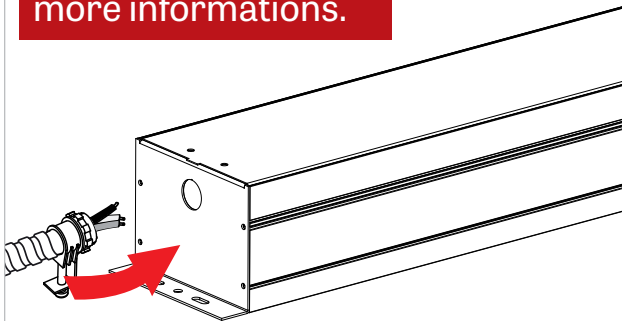


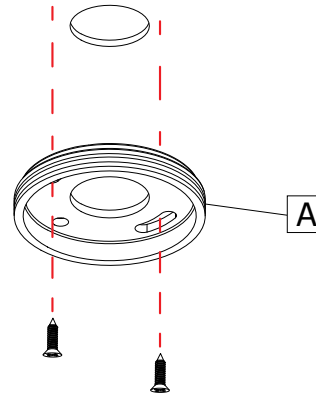
NOTE: Wire dimming conductors as Class 1

1 REMOTE DRIVER BOX

Please refer to the remote driver installation sheet for more informations.

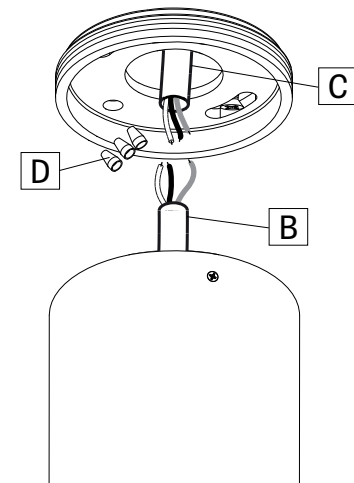


2



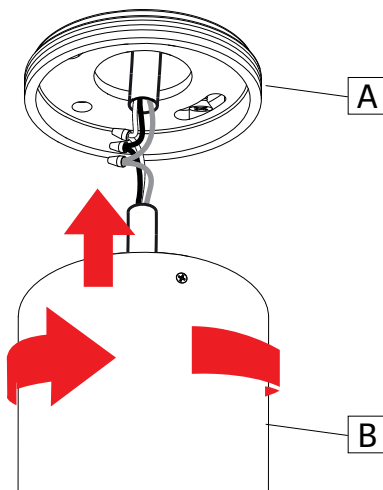
Locate the place the fixture will be installed and make a 7/8" dia hole for the power cable to pass. Install the Threaded Adapter plate (A) with the screws where the hole was made.

3



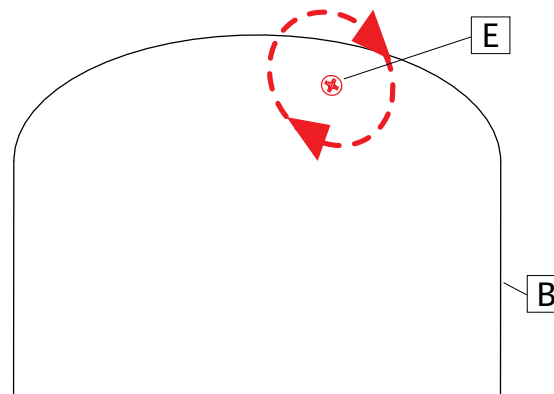
Connect the Fixture cable (B) to the Main power (C) with Wire Nuts (D).

4



Install the Fixture (E) onto the Threaded Adapter Plate (A).

5



Lock the fixture in place with the Lock screw (E) on the side of the Fixture (B).