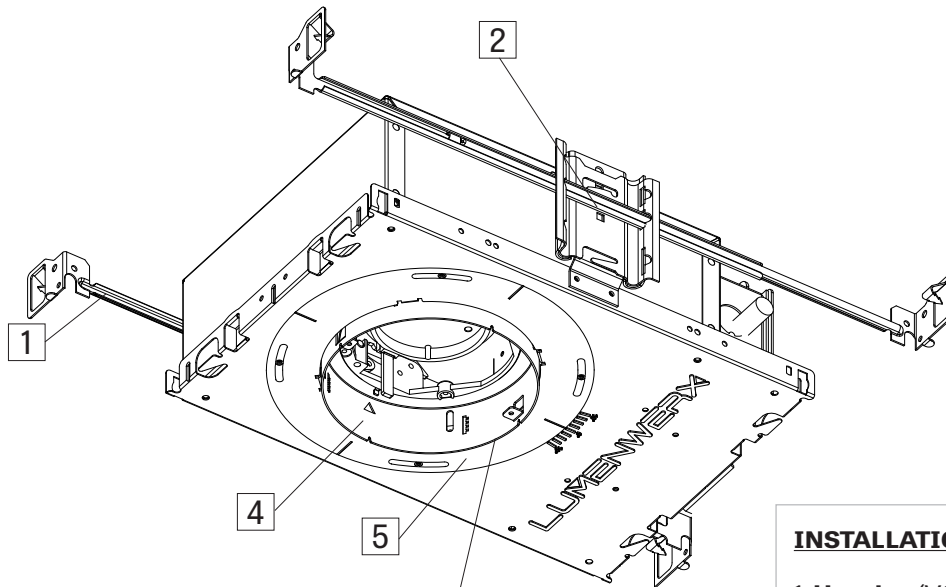


**IMPORTANT:** Installation instructions also apply to VOILÀ SQUARE fixtures

**NOTE:** Wire dimming conductors as Class 1

### OVERVIEW



1. Adjustable Hanger Bars
2. Adjustable Butterfly Bracket
3. Light Engine
4. Trim Collar
5. Collar Plate

### WARNING

- Install per national installation and accident prevention regulations.
- Clearance between sides of luminaire and parts of building must be 1/2in min; clearance to insulating materials to be 3in min, unless luminaire is IC rated.
- Fixtures must be installed in applications where the ambient temperature does not exceed 40 C during normal operation.
- DO NOT connect or disconnect LED board wire connector when the fixture is energized. This may result in permanent damage to the LED array.
- Warranty claims will not be accepted if incorrect driver or light engine is used.
- DO NOT cover the LIGHT ENGINE lens or heatsink with any materials or adhesive tapes.

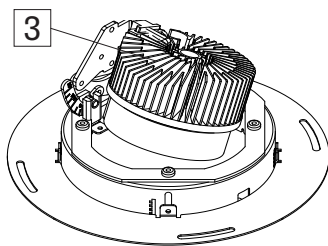
### INSTALLATION STEPS

1. **Housing** (VO4RR/VO4RRWW/VO4SR/VO4SRWW): Pages 2-3
2. **Light engine** (VO4): Page 4-5
3. **Electrical connection:** Pages 6-7
4. **Baffle** (VO4RRB/VO4SRB): Page 8
5. **Onboard emergency battery (optional)** (DEB): Page 9

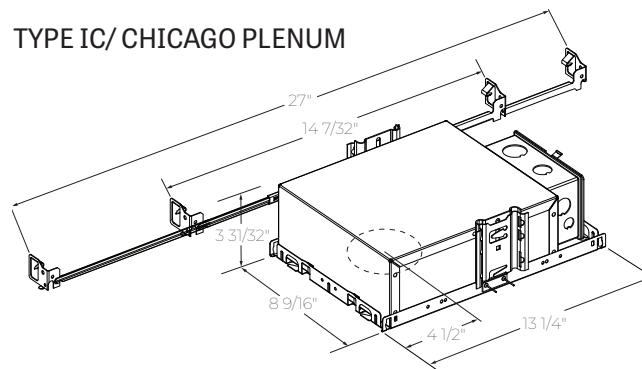
### TOOLS REQUIRED

1. Philips screw driver
2. Allen key included
3. Adjustable hole cutter up to  $\varnothing 5 \frac{5}{32}$ " (for round)
4. Drywall knife or router

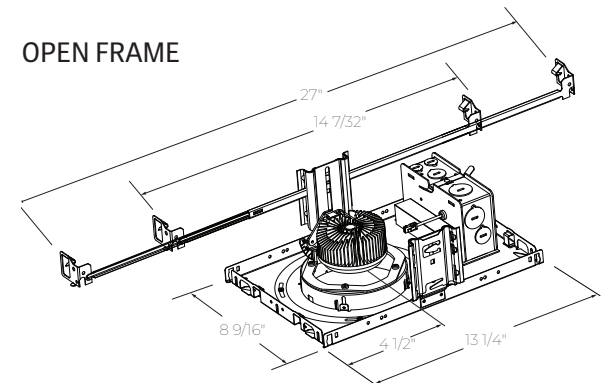
### INSIDE THE HOUSING



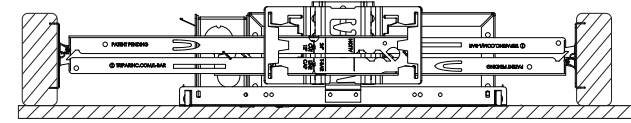
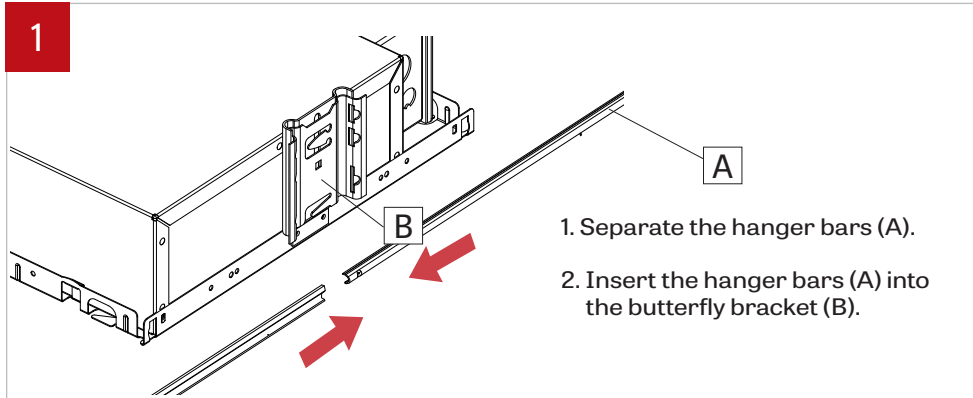
### TYPE IC/ CHICAGO PLENUM



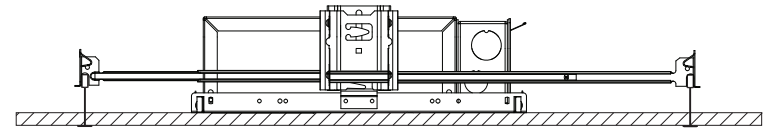
### OPEN FRAME



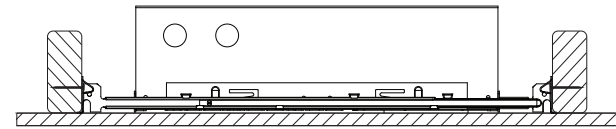
### OPEN FRAME OR IC/CHICAGO INSTALLATION PROCESS



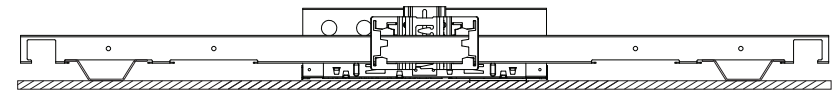
ACB - Adjustable Commercial Bar Hangers



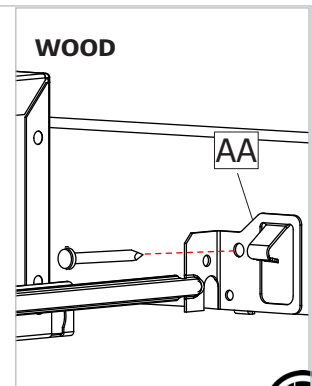
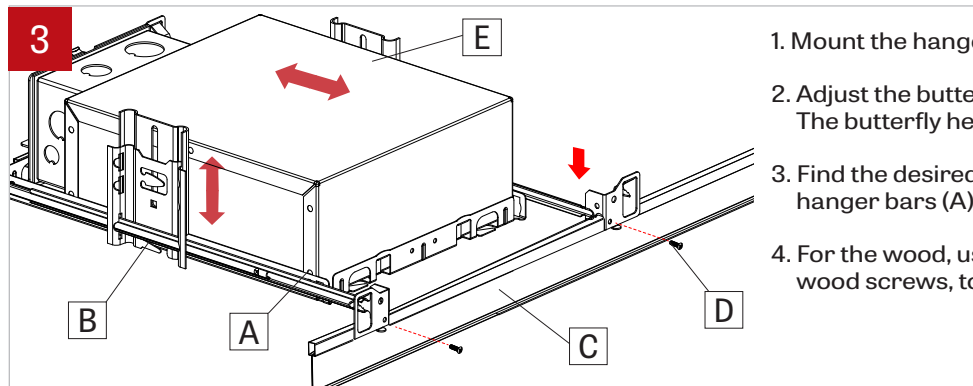
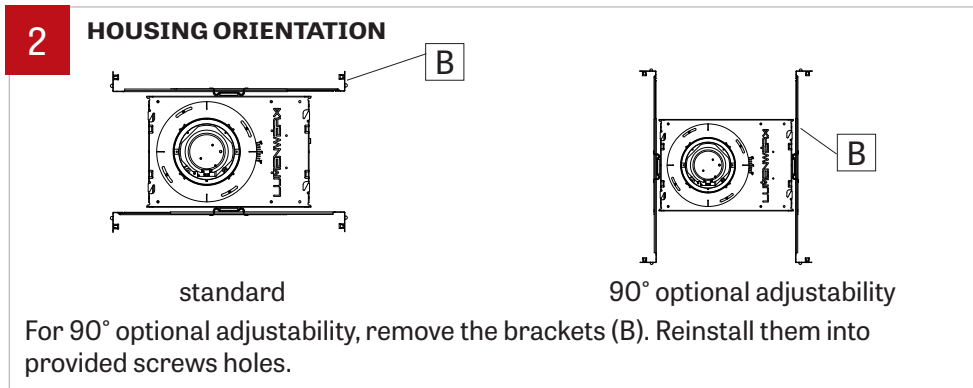
ASB - Adjustable Standard Bar Hangers



FMB - Flush Mount Bars

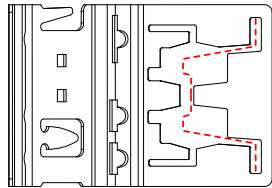


AHC - Adjustable Hat Channel Bars

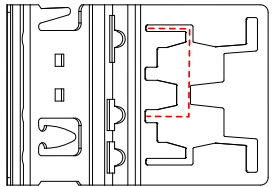


### ACB MOUNTING OPTIONS

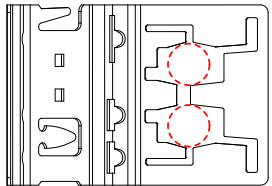
#### Furring Strip Channel



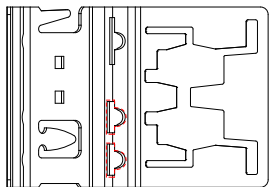
#### 1/2" X 1-1/2" Channel (2 positions)



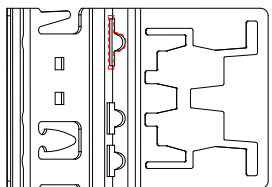
#### 1/2" Diameter EMT



#### 1/2" Bar Hangers 1287 & 1240



#### 5/8" - 3/4" Bar Hangers



**1**

Squeeze the edges of the butterfly bracket to unlock. This step applies to all variations of hanger bars installed into this bracket.

**2**

Slide in the bracket.

**3**

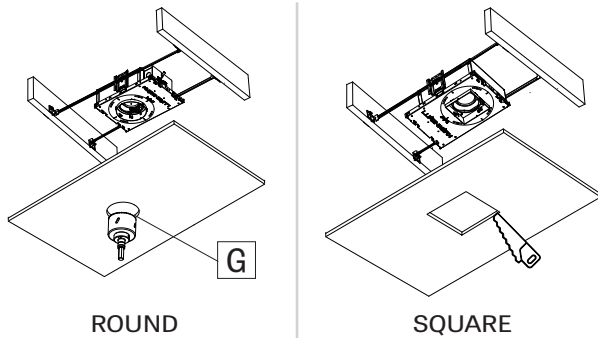
Insert the second bracket.

**4**

Push the bracket in and adjust the length.

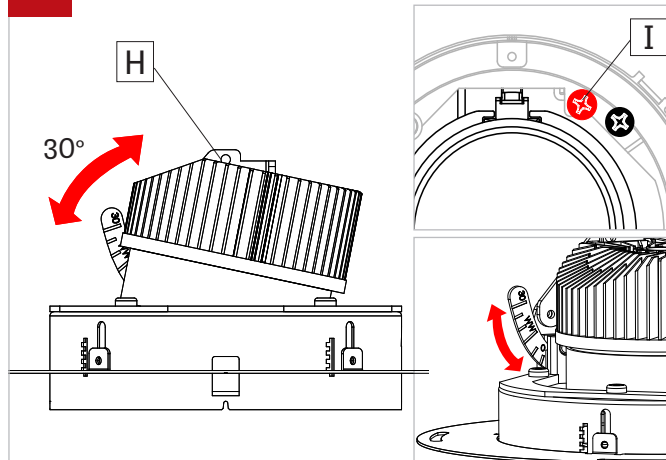
### LIGHT ENGINE INSTALLATION & ADJUSTABILITY

#### 1 CEILING PREPARATION



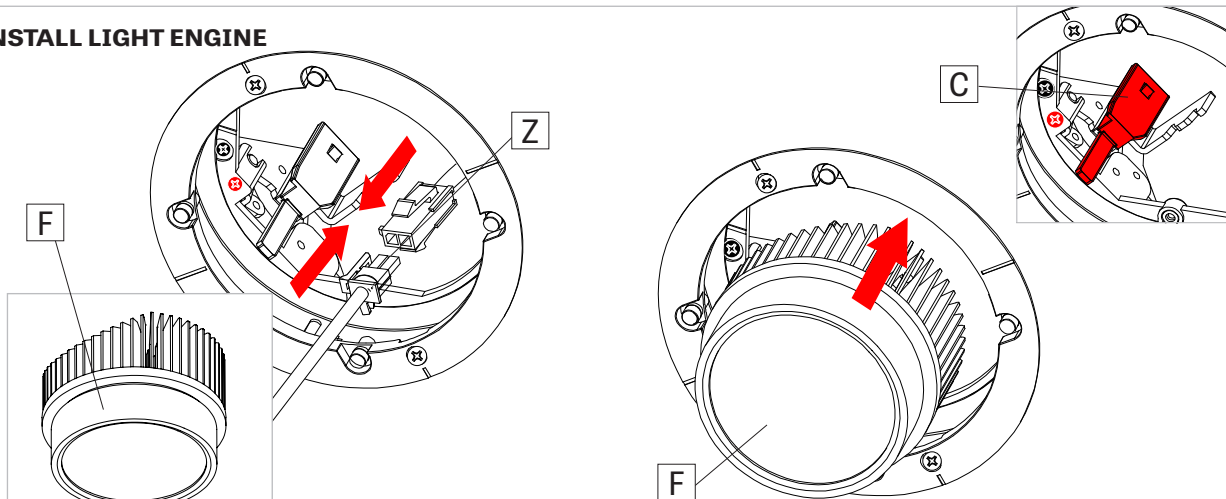
Cut the ceiling with the adjustable hole saw ( $\text{Ø}5\ 5/32''$ ) (G). For the square use the drywall knife ( $4\ 21/32'' \times 4\ 21/32''$ ). Finish the corners with a drywall knife or router.

#### 2 VERTICAL TILT ADJUSTMENT



Adjust the tilt (H) from  $0^\circ$  to  $30^\circ$  by releasing the red locking screw (I).

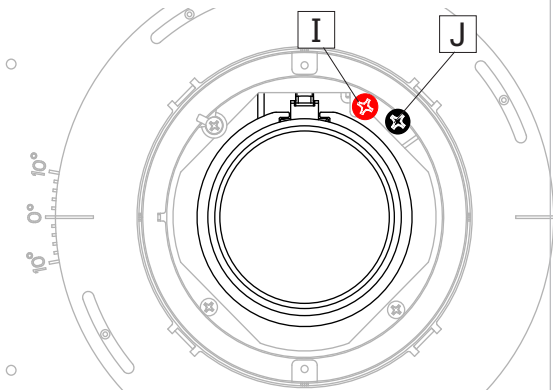
#### 3 INSTALL LIGHT ENGINE



Connect light engine (F) to driver with quick connectors (Z).

Insert light engine (F) through tracking system (C) until an audible click is heard.

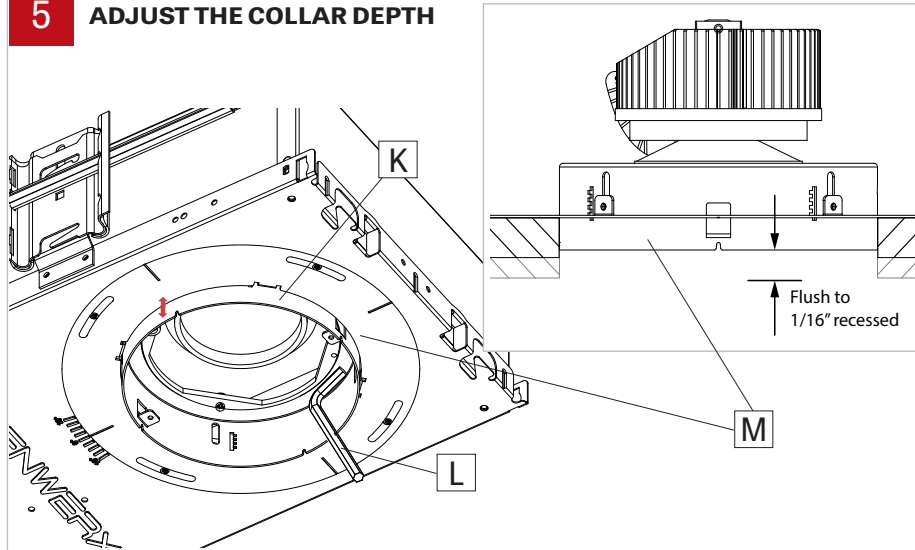
#### 4 LOCK THE LIGHT ENGINE IN PLACE



Lock into the desired position by tightening both the vertical tilt and the horizontal beam aim with red (I) and white (J) screws. **Wall washers are pre-set and adjusted in the factory.**

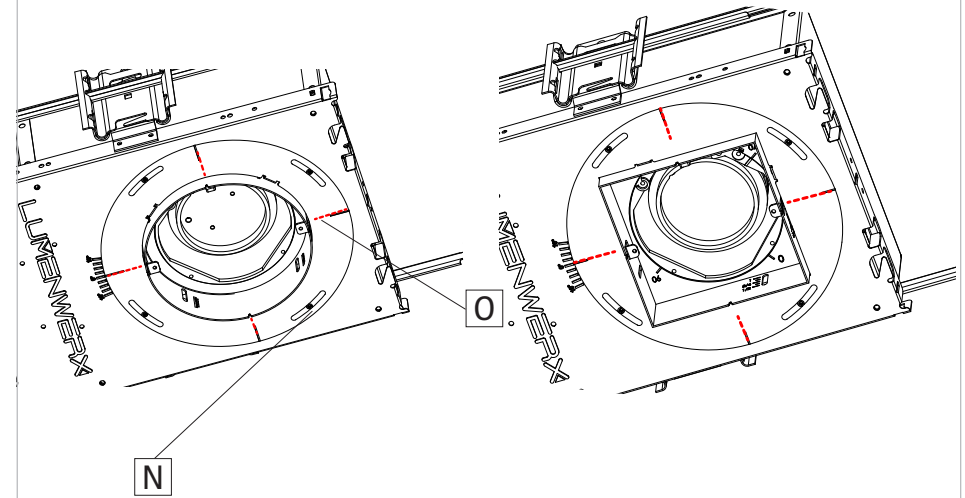
### LIGHT ENGINE INSTALLATION & ADJUSTABILITY

#### 5 ADJUST THE COLLAR DEPTH



Adjust the collar (K) to suit ceiling depth with the provided Allen Key (L). Collar (M) must be adjusted flush to drywall or to 1/16" recessed from drywall.

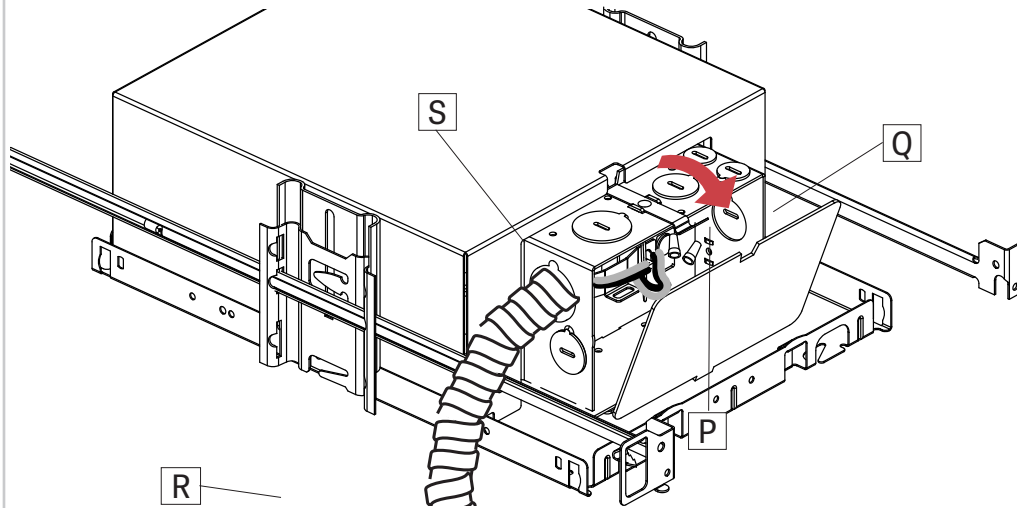
#### 6 ALIGN THE COLLAR TO SUIT CEILING



Align the screws (N) at the appropriate angle based on laser level readings (O). (Ideal for the square trims).

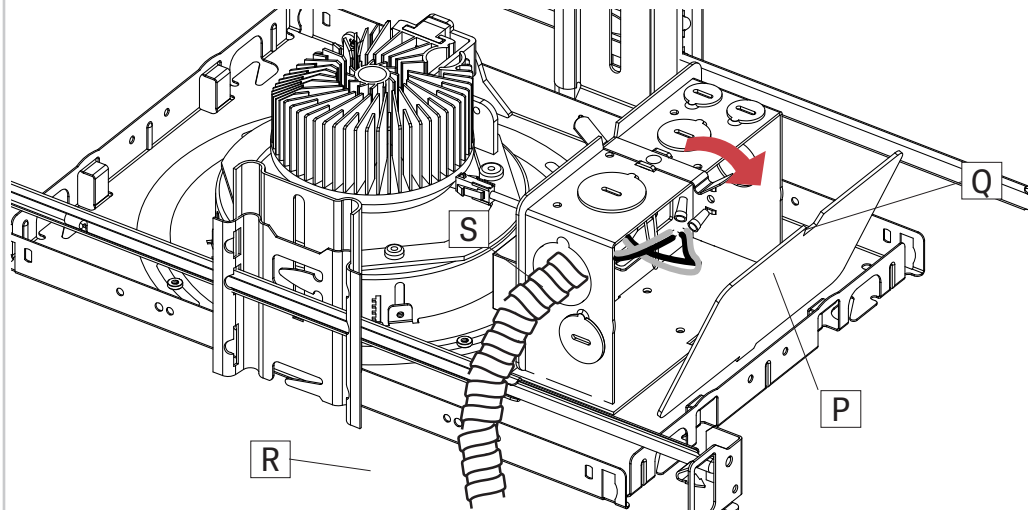
### ELECTRICAL CONNECTION

#### IC TYPE/ CHICAGO PLENUM



1. Unsnap the cover (P) and pivot the cover (Q).
2. Bring the BX cable (R) and make the electrical connection with wire nuts (S).
3. Snap the cover (Q) back to finish.

#### OPEN FRAME



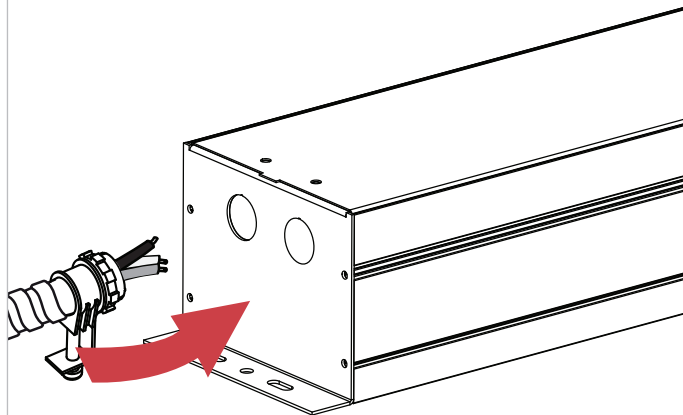
1. Unsnap the cover (P) and pivot the cover (Q).
2. Bring the BX cable (R) and make the electrical connection with wire nuts (S).
3. Snap the cover (Q) back to finish.



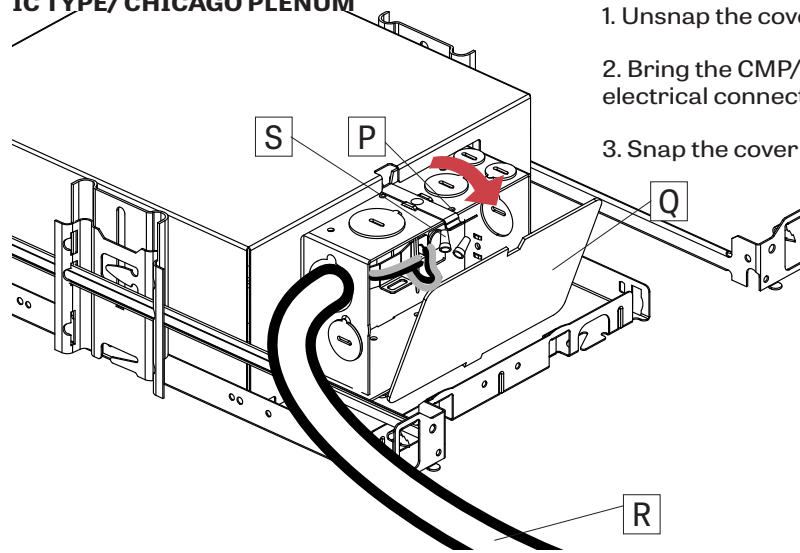
### ELECTRICAL CONNECTION WITH THE REMOTE DRIVER

#### REMOTE DRIVER

Please refer to the remote driver installation sheet for more information.

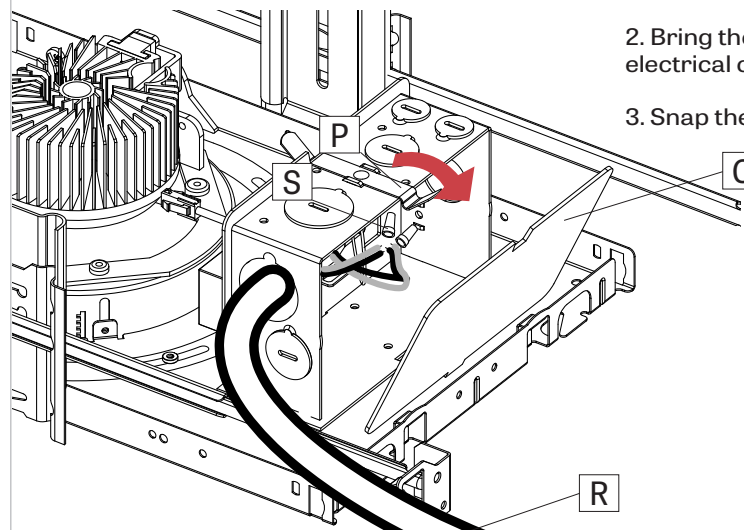


#### IC TYPE/ CHICAGO PLENUM



1. Unsnap the cover (P) and pivot the cover (Q).
2. Bring the CMP/FT-6 cable (R) and make the electrical connection with wire nuts (S).
3. Snap the cover (Q) back to finish.

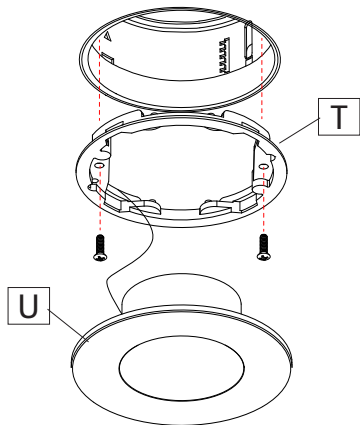
#### OPEN FRAME



1. Unsnap the cover (P) and pivot the cover (Q).
2. Bring the CMP/FT-6 cable (R) and make the electrical connection with wire nuts (S).
3. Snap the cover (Q) back to finish.

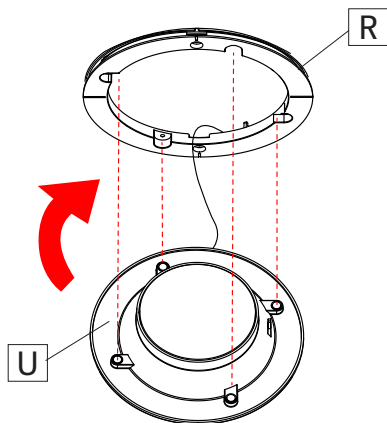
### BAFFLES

#### 1 TRIMMED



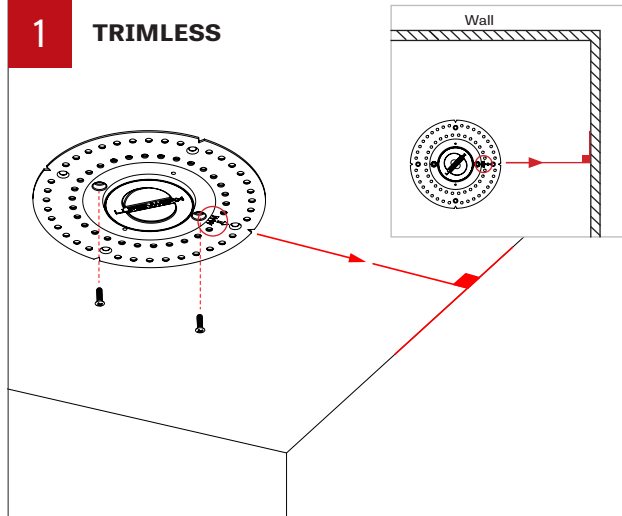
Separate the magnetic retaining ring (T) from the baffle (U). Tighten it with screws onto the collar.

#### 2



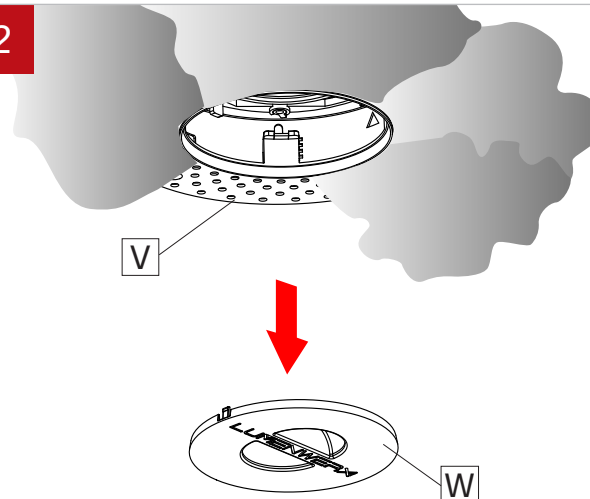
Attach the magnetic baffle (U) on the retaining ring (T).

#### 1 TRIMLESS



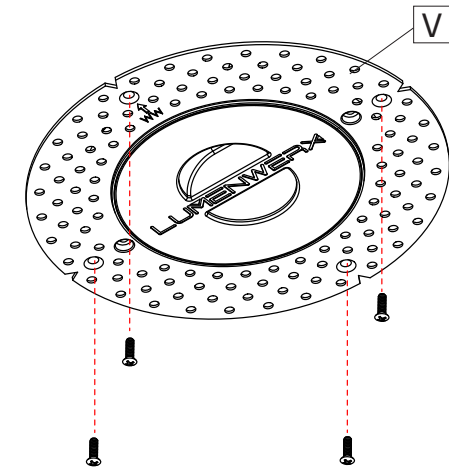
Tighten the two collar screw holes. Align wall wash indicator facing the wall to be lit (perpendicular to wall).

#### 2

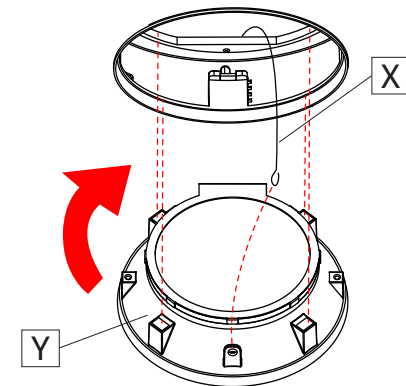


Plaster and sand over the mud plate (V). Remove the lid (W).

#### 3



Optional, attach mud plate (V) with 4 screws. **Do not drill through the housing.**



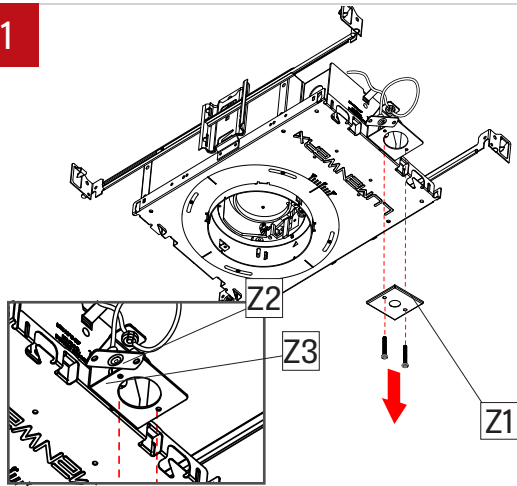
Hook the safety cable (X) to the baffle (Y). Attach the magnetic baffle (Y) on mud plate.



### Installation instructions for On Board Emergency Back up (DEB) option

#### EMERGENCY BATTERY OPTION

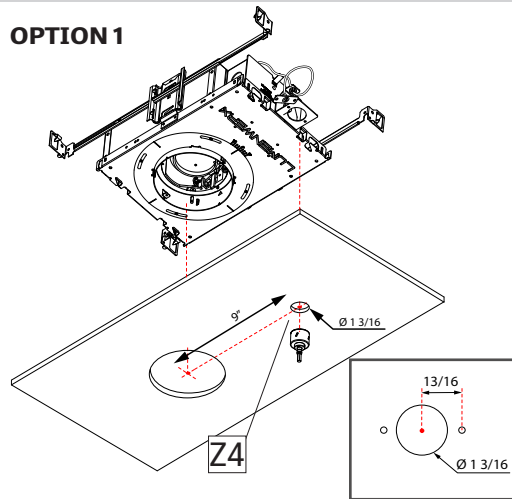
1



Unscrew cover plate (Z1). Make sure the test switch bracket (Z2) is mounted on magnet (Z3) on the housing.

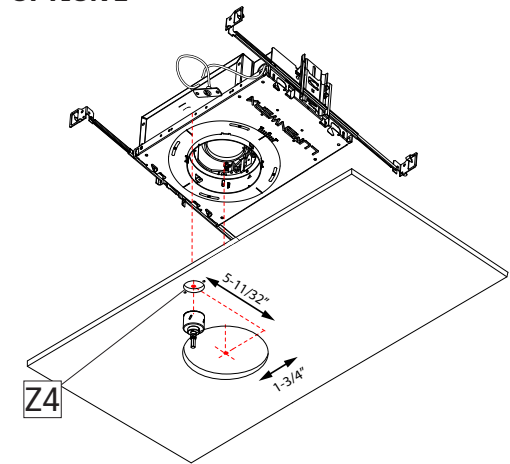
2

OPTION 1

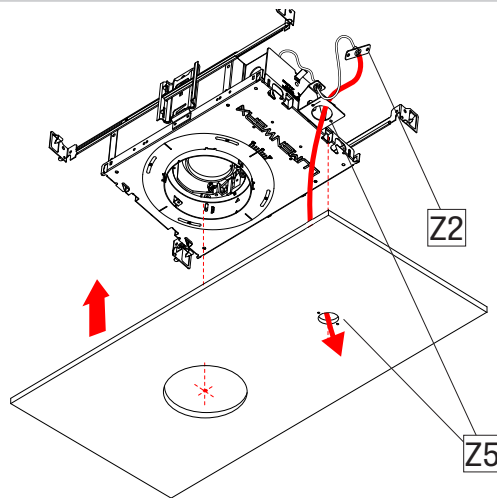


Cut the ceiling with the adjustable hole saw (Ø 1 3/16") (Z4) or a drywall router. Follow standard instructions for other steps.

OPTION 2

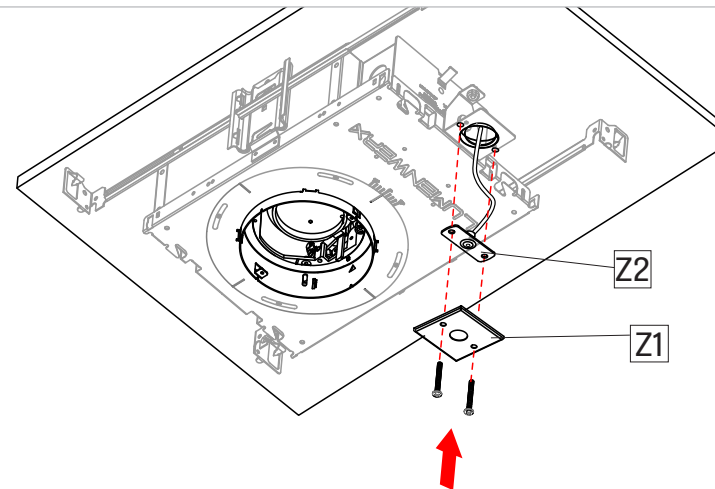


3



Take the test switch bracket (Z2) off the magnet and pull it out of the holes (Z5).

4



Screw cover plate (Z1) and test switch bracket (Z2) back after installing the ceiling panel.