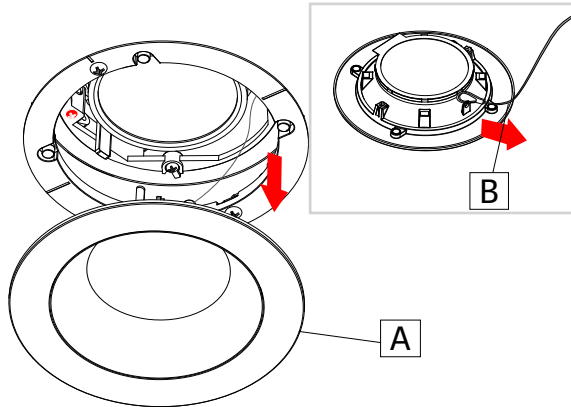


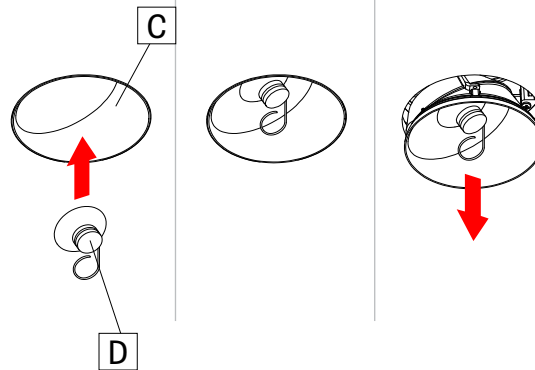
NOTE: Wire dimming conductors as Class 1

1 TRIM REMOVAL



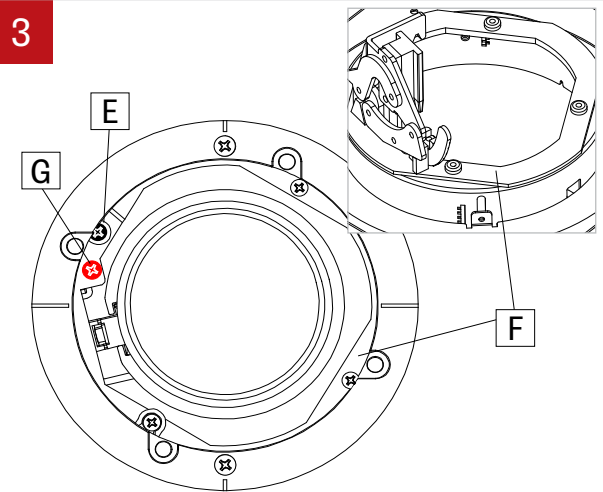
For trim installation, detach trim (A) from ceiling and unhook from safety wire (B). Safely store it on the side.

2 WALL WASH BAFFLE REMOVAL



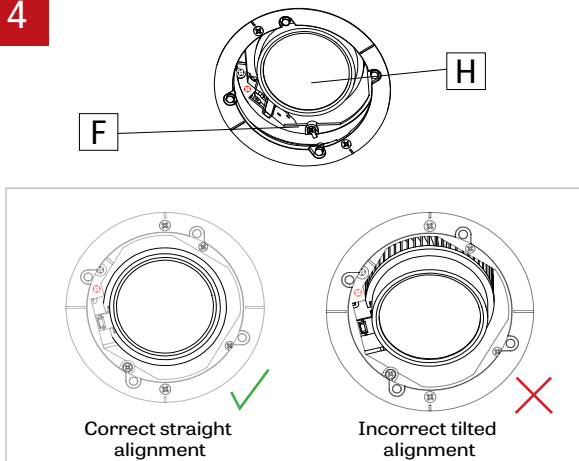
For trimless wall wash installation, detach baffle (C) by using provided suction tool (D). Stick tool on baffle lens and pull.

3



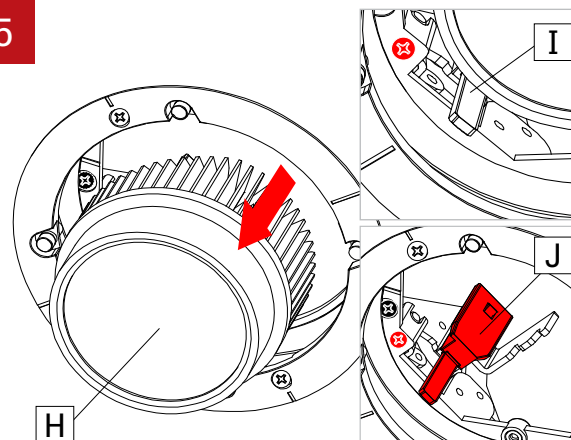
Slightly unscrew white screw (E) to allow rotation of the adjusting mechanism (F), and red screw (G) for the vertical tilting of the adjusting mechanism (F).

4



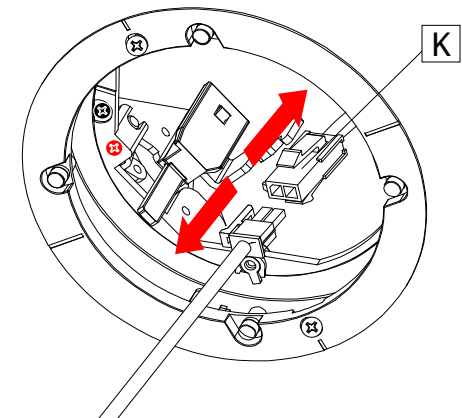
Align light element (H) straight by rotating and tilting the adjusting mechanism (F), in order to proceed with its removal in the next step.

5

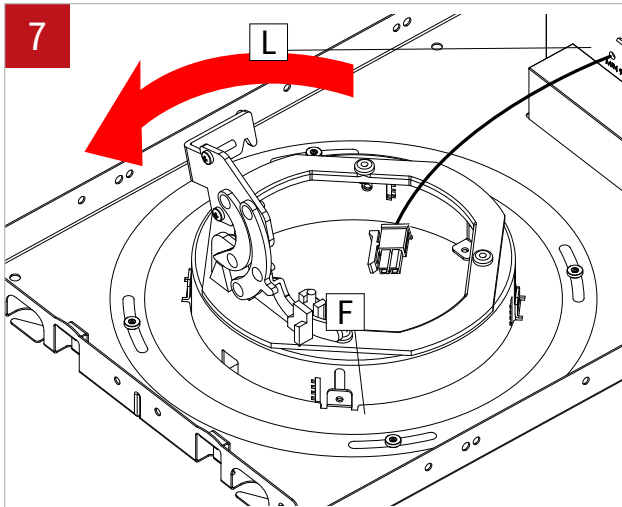


Push tab (I) on the side of the light element (H) to release it from the adjusting mechanism (J). Slide light element (H) from the track system (J).

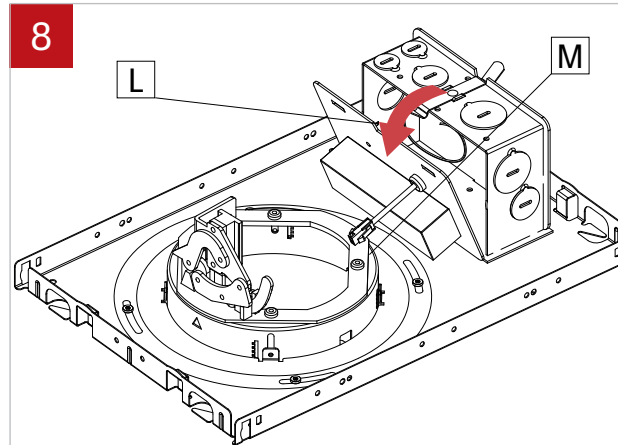
6



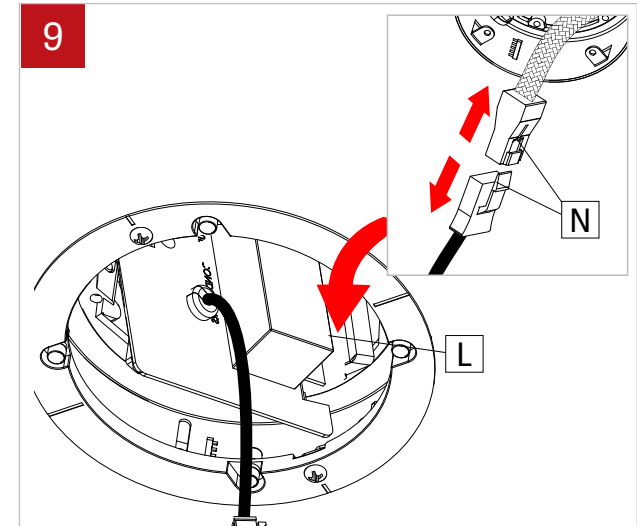
Disconnect the quick connectors (K) between the light element and the driver.



Rotate adjusting mechanism (F) away from the direction of the driver for easier access to driver (L).

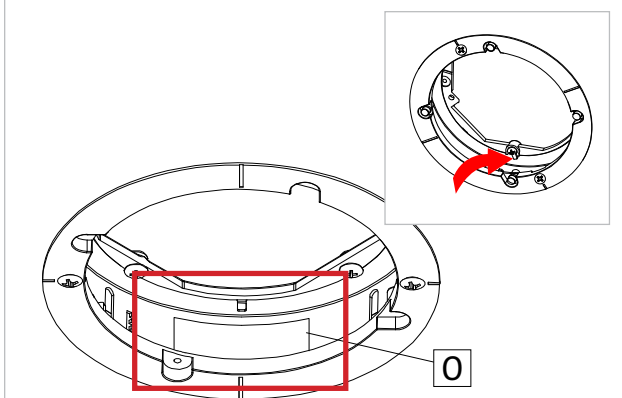


Unsnap the cover (M) attached to the driver box (L).



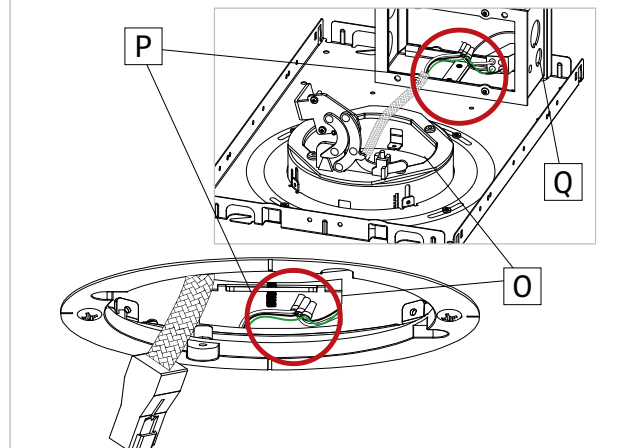
Pull out driver (L) from opening. Disconnect quick connectors (N).

10 SPLICE INSPECTION



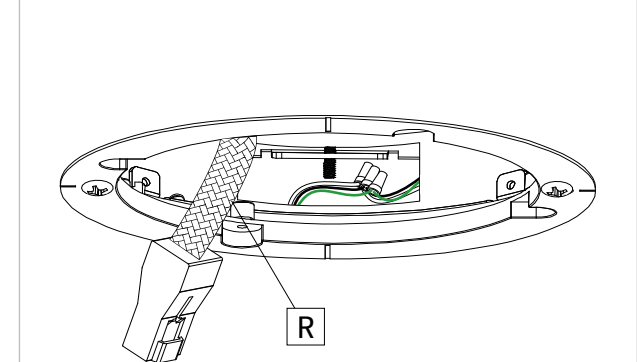
For splice inspection, look through opening (O) that was closest to driver location.

11 SPLICE INSPECTION



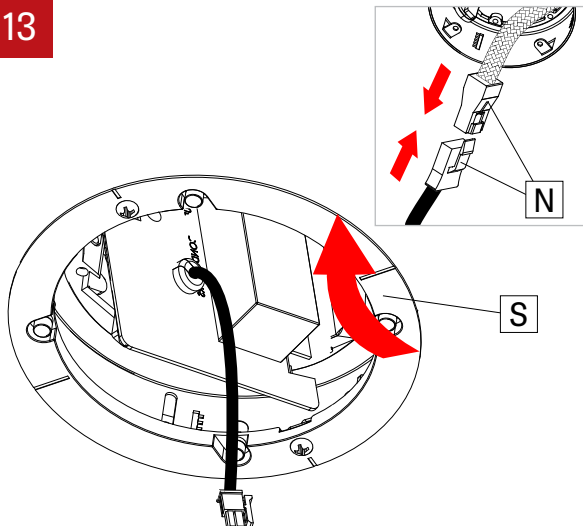
Through opening (O), splice (P) will be visible inside the box (Q).

12 SPLICE INSPECTION



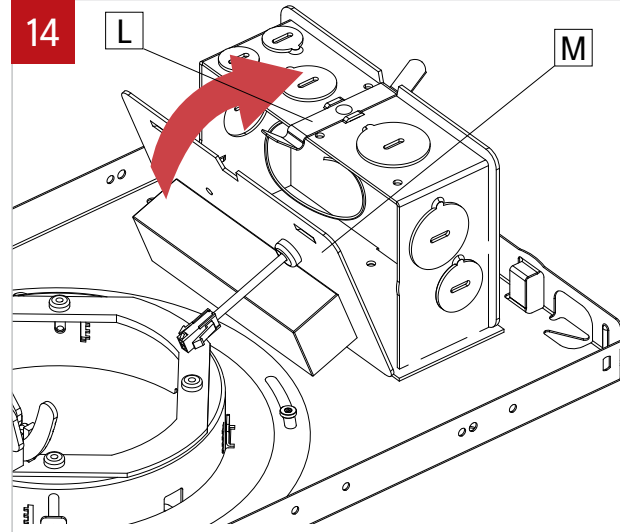
Abrasion resistant sleeving (R) is used on wires to prevent pinching or cutting during driver removal, driver installation and splice inspection.

13



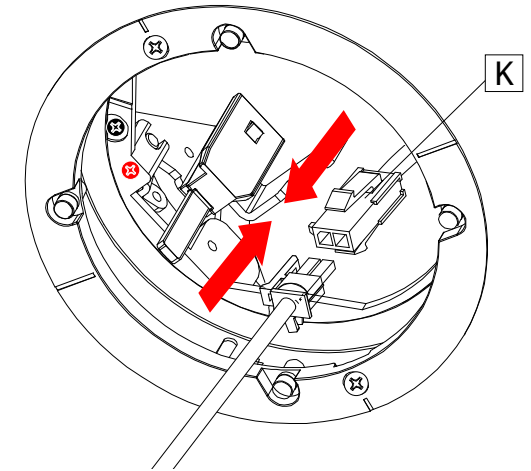
Insert new driver (S) inside opening. Reconnect everything with quick connectors (N).

14



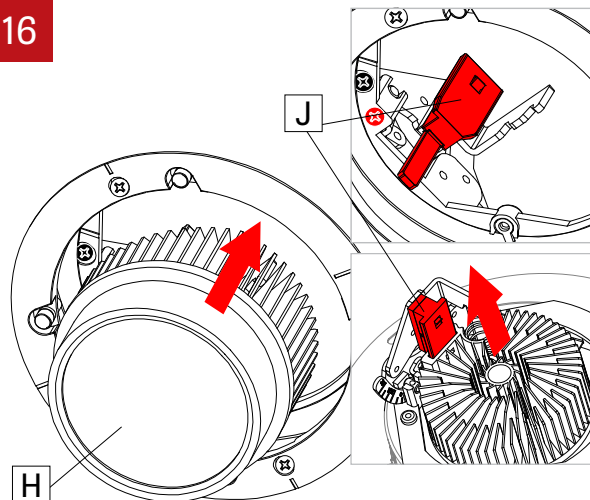
Snap the cover (M) attached to the driver box (L).

15



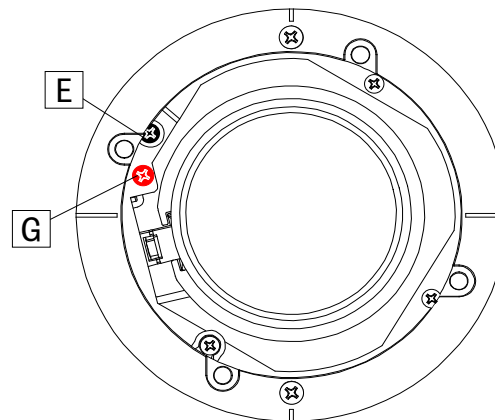
Reconnect light element to new driver with quick connectors (K).

16



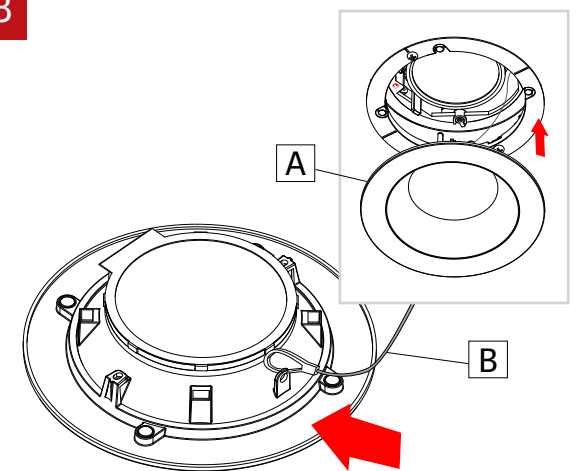
Insert light element (H) through track system (J) until an audible click is heard.

17



Reposition light element in starting position and retighten white screw (E) and red screw (G).

18



Hook safety wire (B) to trim (A) and reattach to ceiling.