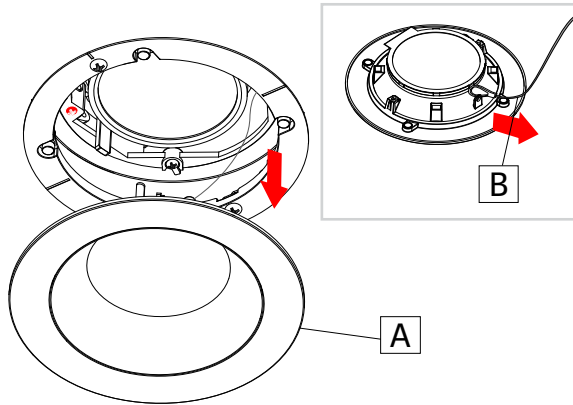


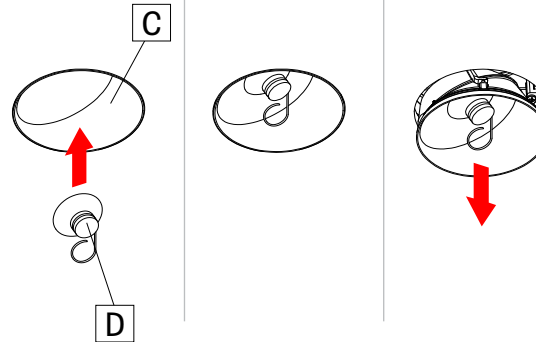
NOTE: Wire dimming conductors as Class 1

1 TRIM REMOVAL



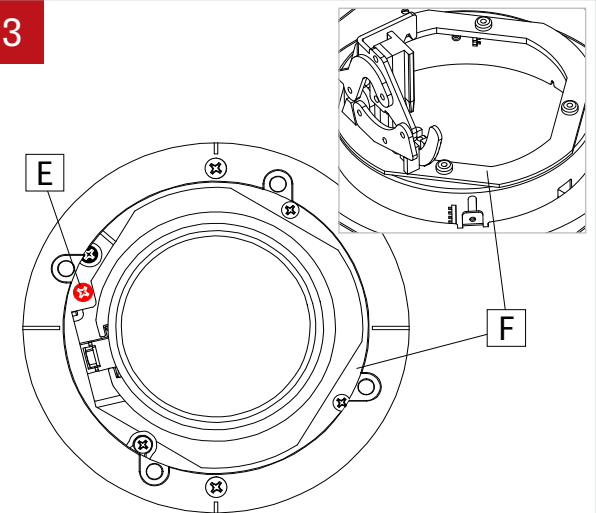
For trim installation, detach trim (A) from ceiling and unhook from safety wire (B). Safely store it on the side.

2 WALL WASH BAFFLE REMOVAL



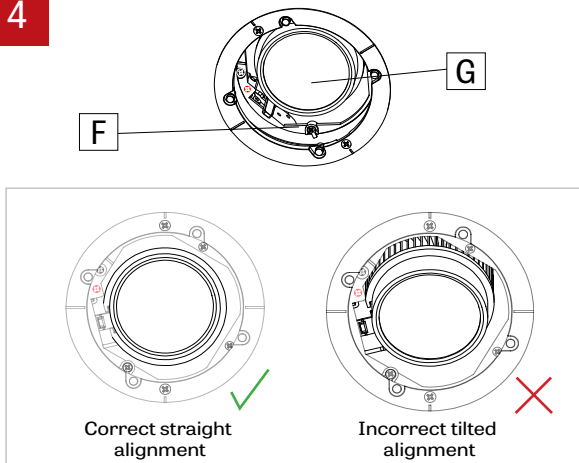
For trimless wall wash installation, detach baffle (C) by using provided suction tool (D). Stick tool on baffle lens and pull.

3



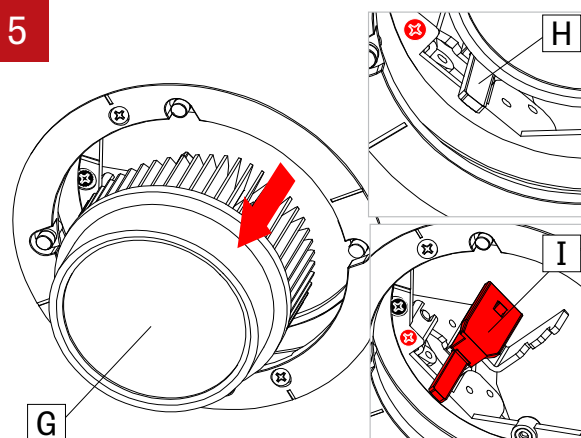
Slightly unscrew red screw (E) to allow vertical tilting of the adjusting mechanism (F).

4



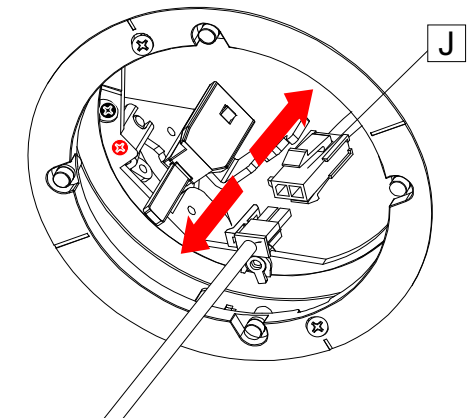
Align light element (G) straight by rotating and tilting the adjusting mechanism (F), in order to proceed with its removal in the next step.

5

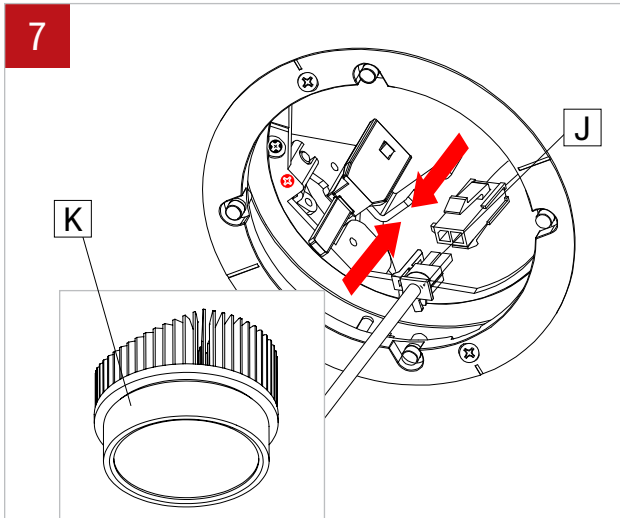


Push tab (H) on the side of the light element (G) to release it from the adjusting mechanism. Slide light element (G) from the track system (I).

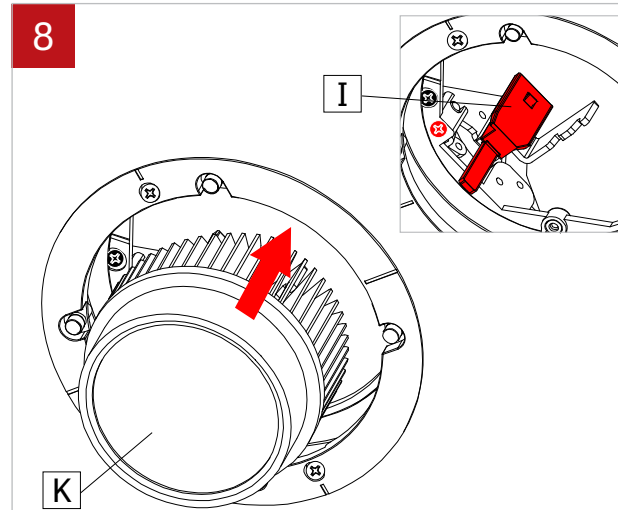
6



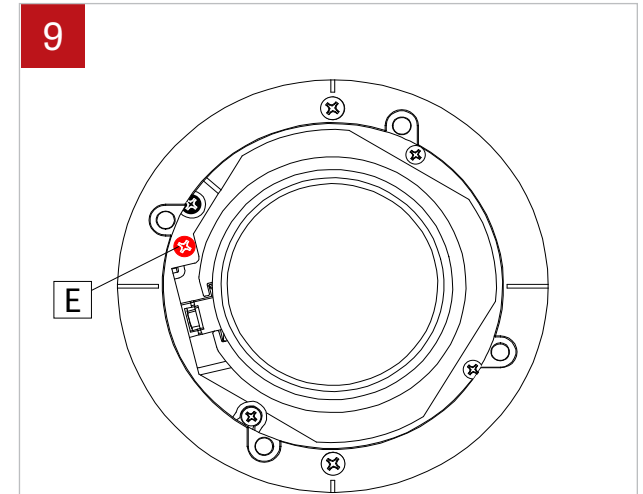
Disconnect the quick connectors (J) between the light element and the driver. Remove light element.



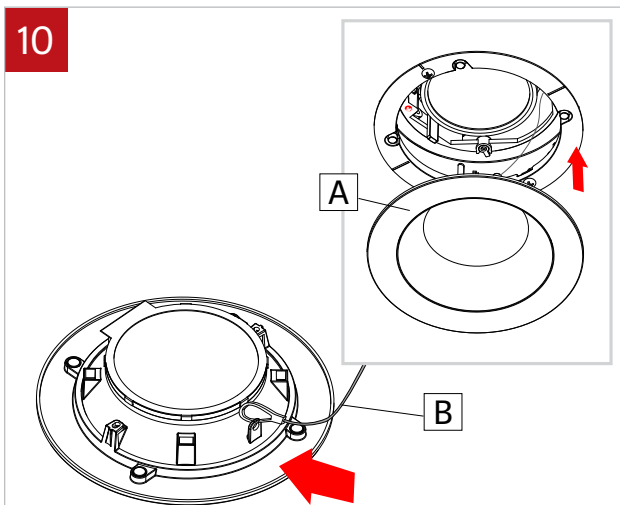
Connect new light element (K) to driver with quick connectors (J).



Insert new light element (K) through tracking system (I) until an audible click is heard.



Reposition light element in starting position and retighten red screw (E).



Hook safety wire (B) to trim (A) and reattach to ceiling.