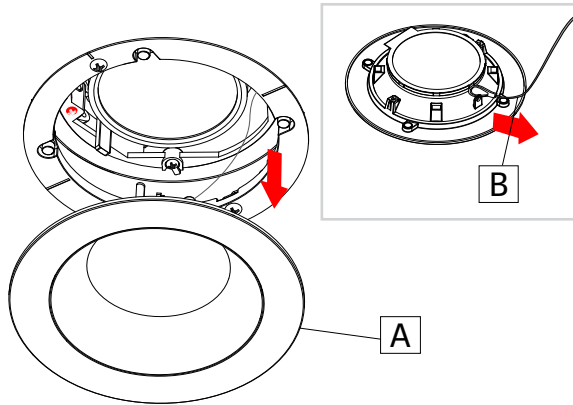


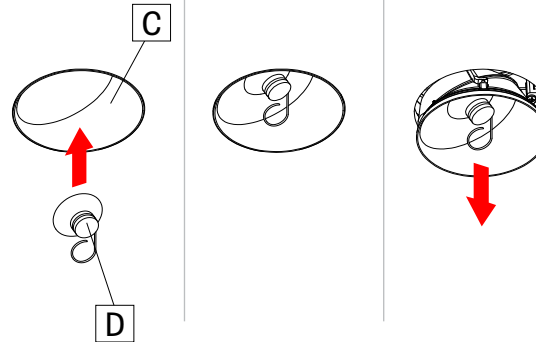
NOTE: Wire dimming conductors as Class 1

1 TRIM REMOVAL



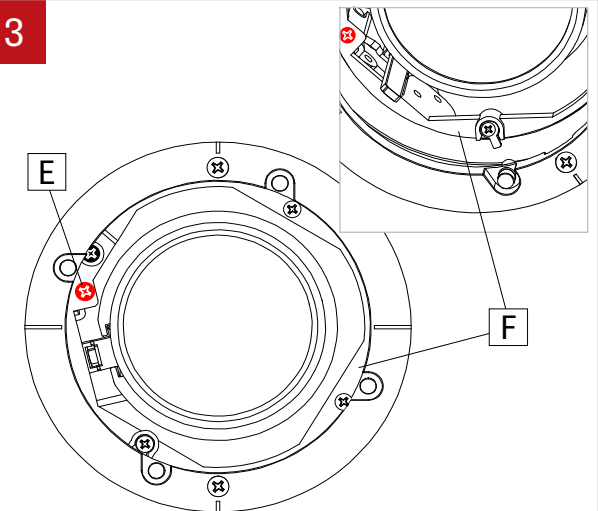
For trim installation, detach trim (A) from ceiling and unhook from safety wire (B). Safely store it on the side.

2 WALL WASH BAFFLE REMOVAL



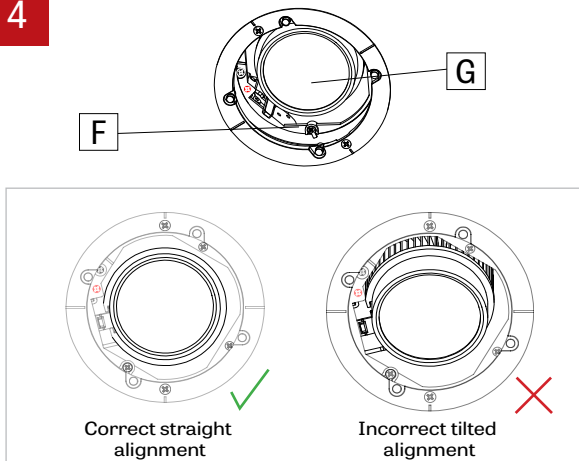
For trimless wall wash installation, detach baffle (C) by using provided suction tool (D). Stick tool on baffle lens and pull.

3



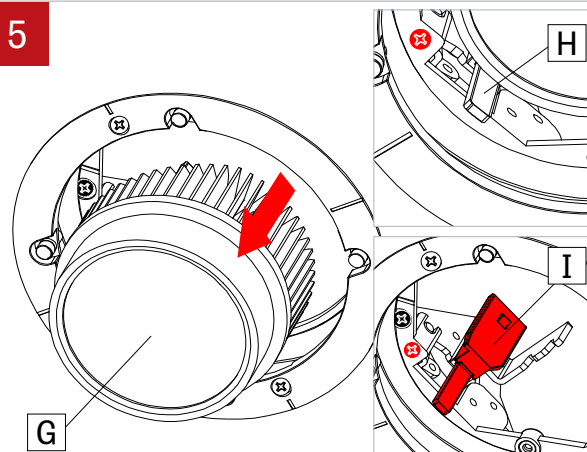
Slightly unscrew red screw (E) to allow vertical tilting of the adjusting mechanism (F).

4



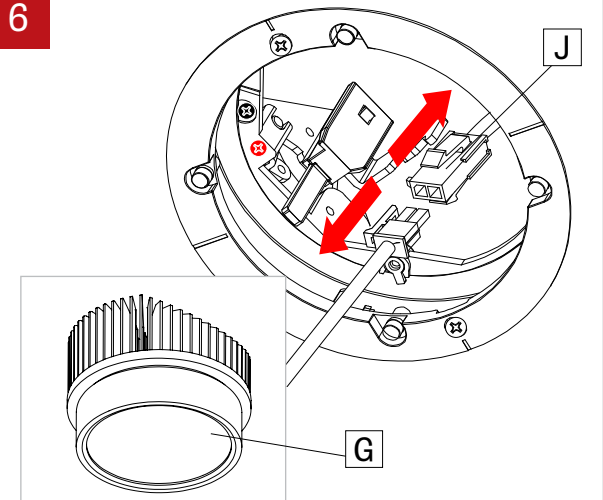
Align light element (G) straight by rotating and tilting the adjusting mechanism (F), in order to proceed with its removal in the next step.

5



Push tab (H) on the side of the light element (G) to release it from the adjusting mechanism. Slide light element (G) from the track system (I).

6



Disconnect the quick connectors (J) between the light element (G) and the driver.

7

Unscrew lens cover (K) from heatsink of light element.

8

Remove optic (L) and replace with new optic (M).

9 OPTIONAL ACCESSORIES

	Cover		Cover
	Hex louver OR Linear spread lens		Linear spread lens
	Color filter		Hex louver
	Beam disk		Beam disk
	Base optic		Base optic
	Heat sink		Heat sink

If wanted, hex louver or linear spread lens can be combined with a color filter. But hex louver can not be combined with linear spread lens.

10

Correct placement ✓ Incorrect placement ✗

Make sure to position optic (L) with flat surface facing outwards.

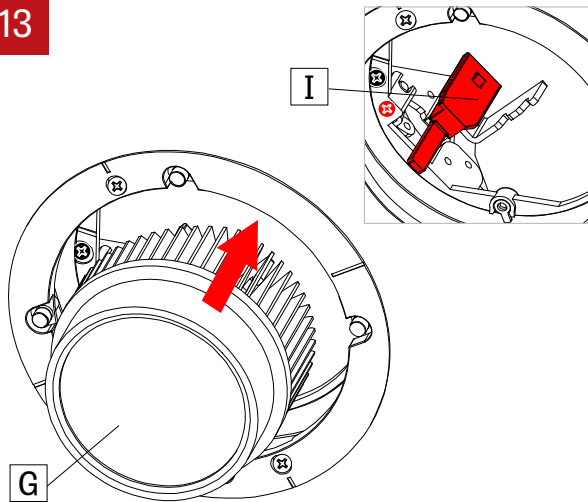
11

Screw lens (K) cover back onto light element.

12

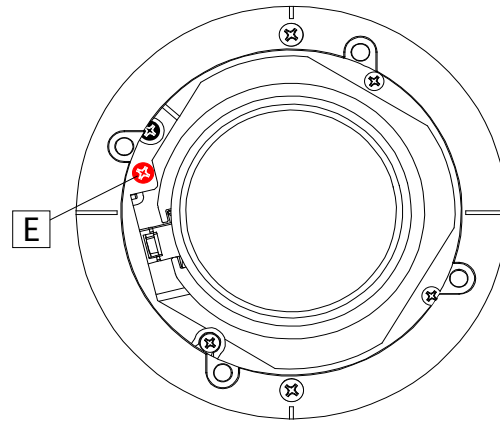
Connect newly modified light element (G) to driver with quick connectors (J).

13



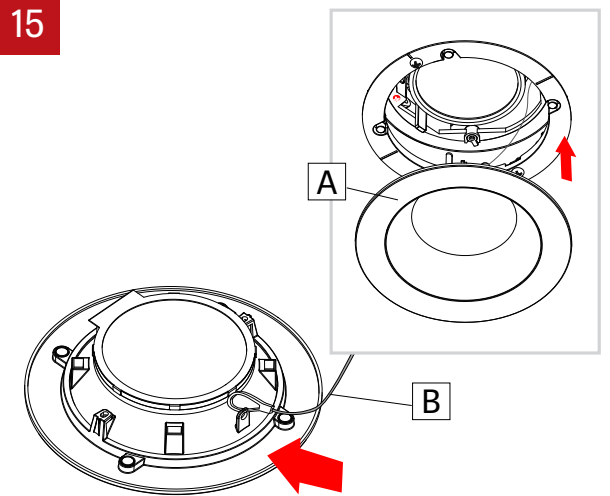
Insert light element (G) through track system (I) until an audible click is heard.

14



Reposition light element in starting position and retighten red screw (E).

15



Hook safety wire (B) to trim (A) and reattach to ceiling.