



MODEL HONDA CBF 600

YEAR 2004 - 2010

LINE SLIP ON

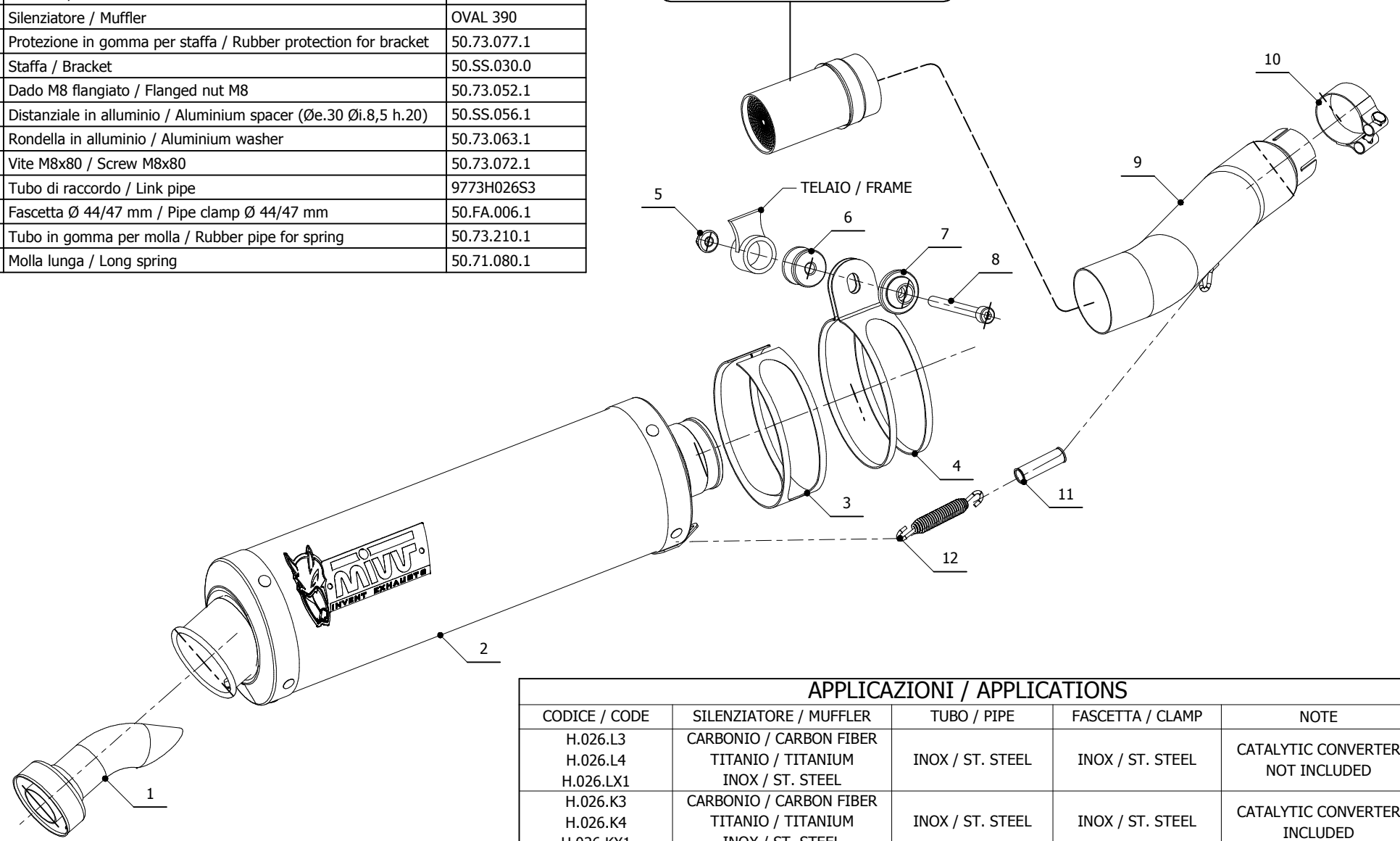
MUFFLER OVAL

SCHEMATIC

ELENCO PARTI / PARTS LIST

#	QTÀ / QTY	DESCRIZIONE / DESCRIPTION	CODICE / CODE
1	1	DB killer / DB killer	50.DK.020.0
2	1	Silenziatore / Muffler	OVAL 390
3	1	Protezione in gomma per staffa / Rubber protection for bracket	50.73.077.1
4	1	Staffa / Bracket	50.SS.030.0
5	1	Dado M8 flangiato / Flanged nut M8	50.73.052.1
6	1	Distanziale in alluminio / Aluminium spacer (Øe.30 Øi.8,5 h.20)	50.SS.056.1
7	1	Rondella in alluminio / Aluminium washer	50.73.063.1
8	1	Vite M8x80 / Screw M8x80	50.73.072.1
9	1	Tubo di raccordo / Link pipe	9773H026S3
10	1	Fascetta Ø 44/47 mm / Pipe clamp Ø 44/47 mm	50.FA.006.1
11	1	Tubo in gomma per molla / Rubber pipe for spring	50.73.210.1
12	1	Molla lunga / Long spring	50.71.080.1

Catalytic Converter
Cod. ACC.033.A1
Optional for H.026.L3 - H.026.L4 - H.026.LX1
Included in H.026.K3 - H.026.K4 - H.026.KX1



APPLICAZIONI / APPLICATIONS

CODICE / CODE	SILENZIATORE / MUFFLER	TUBO / PIPE	FASCETTA / CLAMP	NOTE
H.026.L3 H.026.L4 H.026.LX1	CARBONIO / CARBON FIBER TITANIO / TITANIUM INOX / ST. STEEL	INOX / ST. STEEL	INOX / ST. STEEL	CATALYTIC CONVERTER NOT INCLUDED
H.026.K3 H.026.K4 H.026.KX1	CARBONIO / CARBON FIBER TITANIO / TITANIUM INOX / ST. STEEL	INOX / ST. STEEL	INOX / ST. STEEL	CATALYTIC CONVERTER INCLUDED