



MODEL SUZUKI SV 650

YEAR 2003

LINE SLIP ON

MUFFLER OVAL

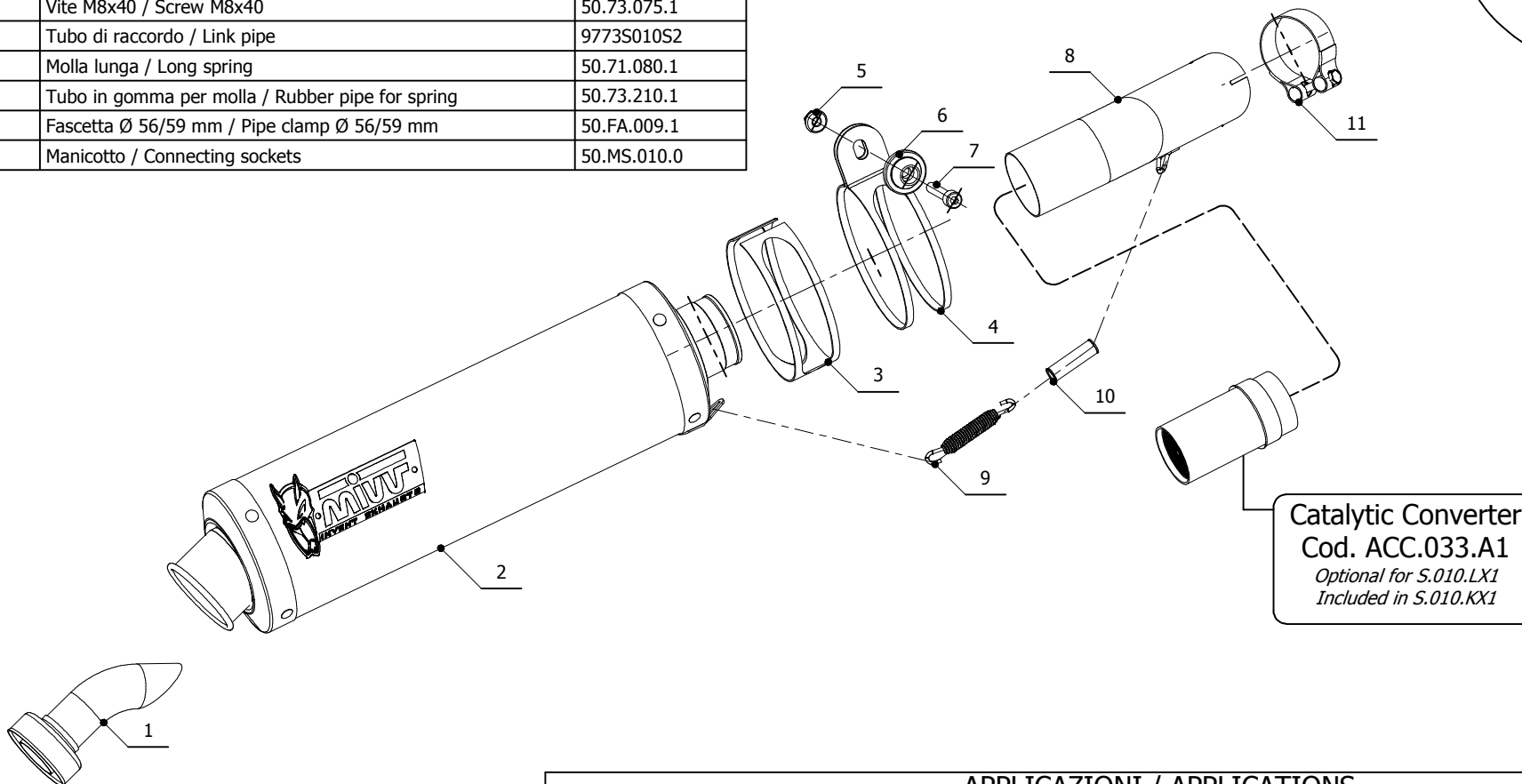
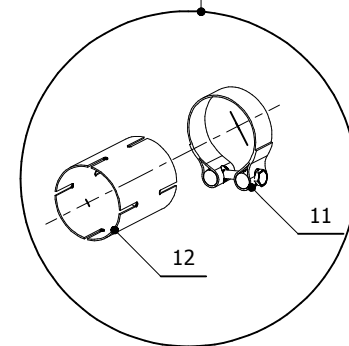
SCHEMATIC

ELENCO PARTI / PARTS LIST

#	QTÀ / QTY	DESCRIZIONE / DESCRIPTION	CODICE / CODE
1	1	DB killer / DB killer	50.DK.020.0
2	1	Silenziatore / Muffler	OVAL 390
3	1	Protezione in gomma per staffa / Rubber protection for bracket	50.73.077.1
4	1	Staffa / Bracket	50.SS.030.0
5	1	Dado M8 flangiato / Flanged nut M8	50.73.052.1
6	1	Rondella in alluminio / Aluminium washer	50.73.063.1
7	1	Vite M8x40 / Screw M8x40	50.73.075.1
8	1	Tubo di raccordo / Link pipe	9773S010S2
9	1	Molla lunga / Long spring	50.71.080.1
10	1	Tubo in gomma per molla / Rubber pipe for spring	50.73.210.1
11	2	Fascetta Ø 56/59 mm / Pipe clamp Ø 56/59 mm	50.FA.009.1
12	1	Manicotto / Connecting sockets	50.MS.010.0

NOTA: Per rimontare il silenziatore originale usare l'apposito manicotto in dotazione nel kit MIVV

REMARKS: To replace the original silencer, use the connecting socket of the MIVV kit



Catalytic Converter
Cod. ACC.033.A1
Optional for S.010.LX1
Included in S.010.KX1

APPLICAZIONI / APPLICATIONS

CODICE / CODE	TUBO / PIPE	SILENZIATORE / MUFFLER	FASCETTA / CLAMP	NOTE
S.010.LX1	INOX / ST. STEEL	INOX / ST. STEEL	INOX / ST. STEEL	CATALYTIC CONVERTER NOT INCLUDED
S.010.KX1	INOX / ST. STEEL	INOX / ST. STEEL	INOX / ST. STEEL	CATALYTIC CONVERTER INCLUDED