



MODEL SUZUKI GSF 1250 BANDIT
SUZUKI GSX 1250 FA

YEAR 2007 -->
2009 -->

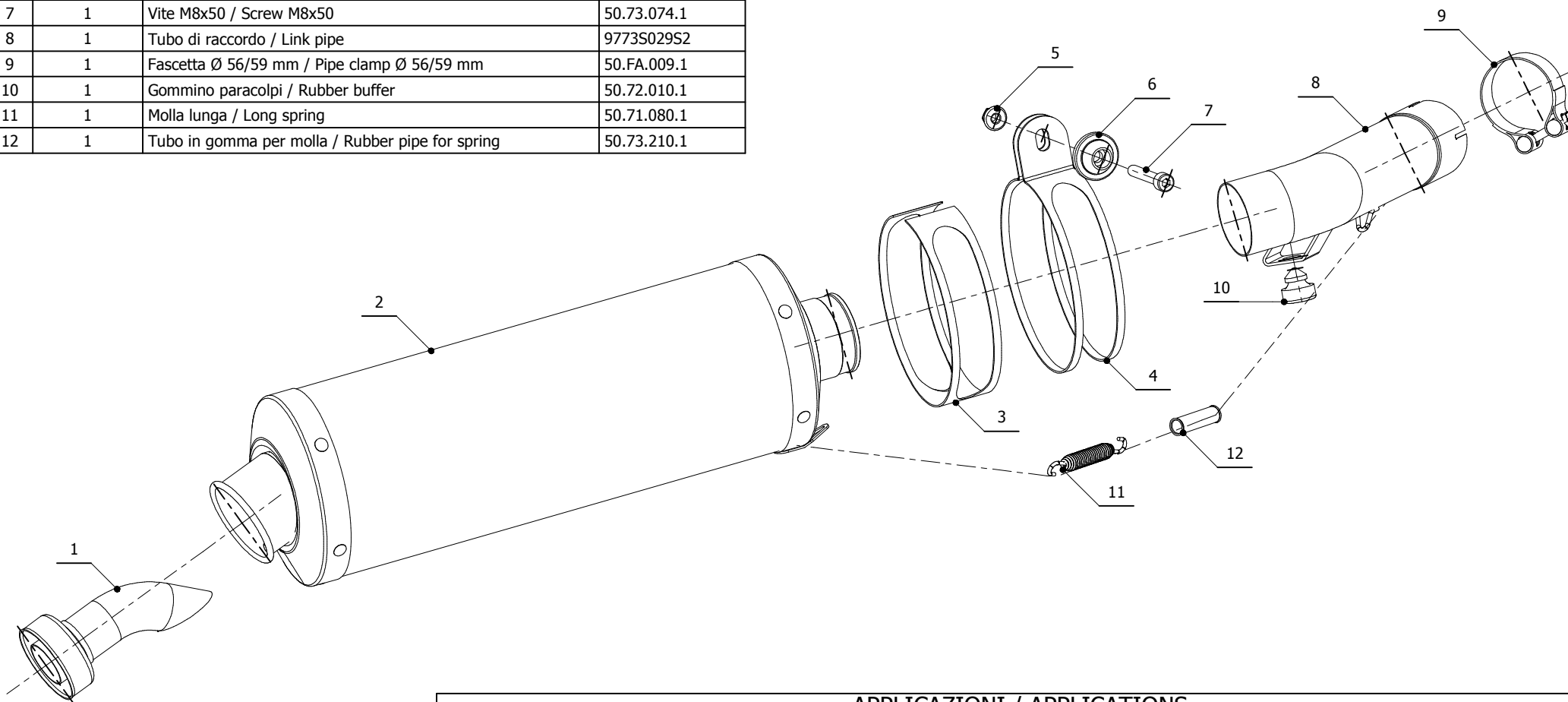
LINE SPORT

MUFFLER OVAL

SCHEMATIC

ELENCO PARTI / PARTS LIST

| # | QTÀ / QTY | DESCRIZIONE / DESCRIPTION | CODICE / CODE |
|----|-----------|--|---------------|
| 1 | 1 | DB killer / DB killer | 50.DK.020.0 |
| 2 | 1 | Silenziatore / Muffler | OVAL |
| 3 | 1 | Protezione in gomma per staffa / Rubber protection for bracket | 50.73.041.1 |
| 4 | 1 | Staffa / Bracket | 50.SS.002.0 |
| 5 | 1 | Dado M8 flangiato / Flanged nut M8 | 50.73.393.1 |
| 6 | 1 | Rondella in alluminio / Aluminium washer | 50.73.063.1 |
| 7 | 1 | Vite M8x50 / Screw M8x50 | 50.73.074.1 |
| 8 | 1 | Tubo di raccordo / Link pipe | 9773S029S2 |
| 9 | 1 | Fascetta Ø 56/59 mm / Pipe clamp Ø 56/59 mm | 50.FA.009.1 |
| 10 | 1 | Gommino paracolpi / Rubber buffer | 50.72.010.1 |
| 11 | 1 | Molla lunga / Long spring | 50.71.080.1 |
| 12 | 1 | Tubo in gomma per molla / Rubber pipe for spring | 50.73.210.1 |



APPLICAZIONI / APPLICATIONS

| CODICE / CODE | TUBO / PIPE | SILENZIATORE / MUFFLER | FASCETTA / CLAMP |
|---------------|------------------|------------------------|------------------|
| S.029.LX2 | INOX / ST. STEEL | INOX / ST. STEEL | INOX / ST. STEEL |