



MODEL KTM DUKE 125 / 390

YEAR 2017

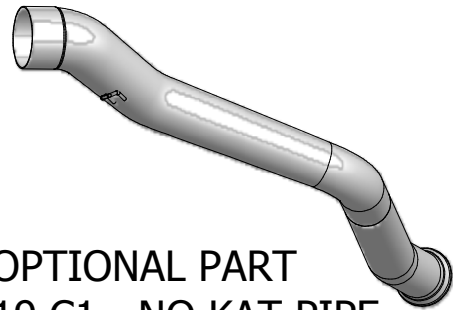
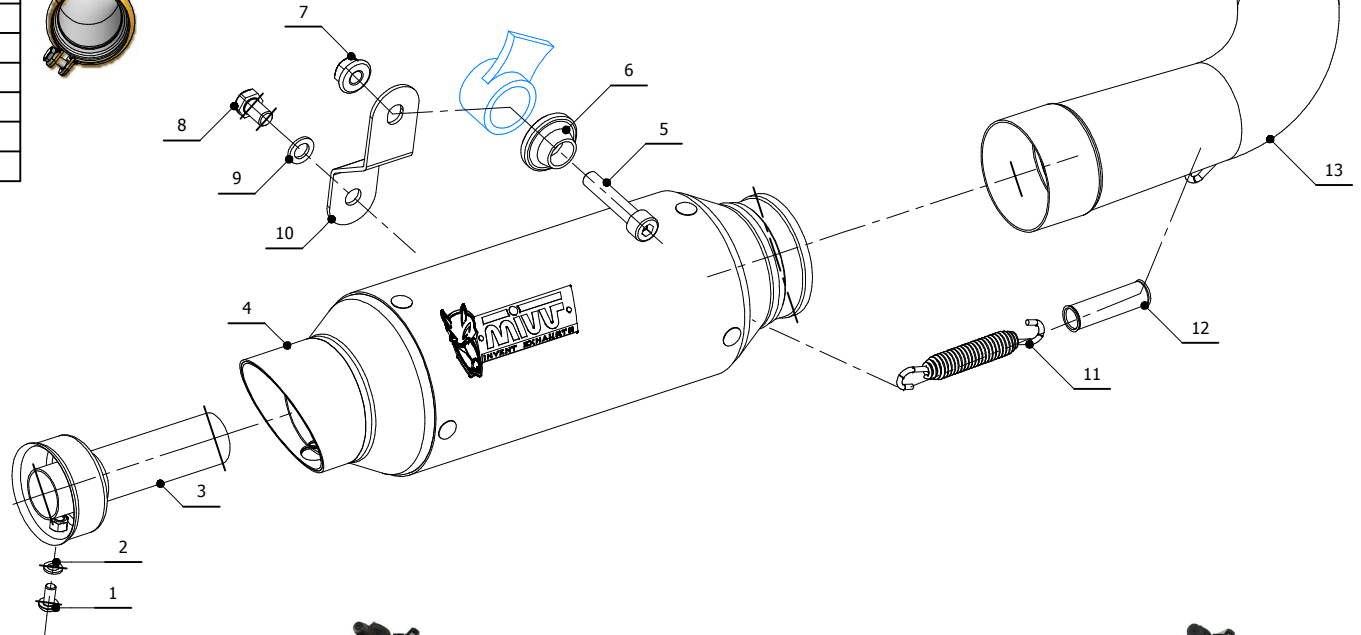
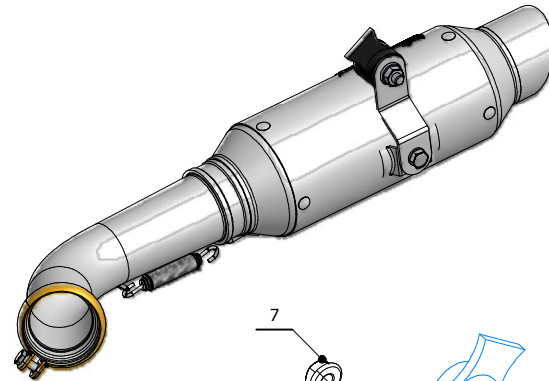
LINE SLIP ON

MUFFLER GP

SCHEMATIC

ELENCO PARTI / PARTS LIST

#	QTÀ / QTY	DESCRIZIONE / DESCRIPTION	CODICE / CODE
1	1	Vite M5 x 8 / Screw M5 x 8	50.73.459.1
2	1	Rondella M5 / Washer M5	50.73.351.1
3	1	DB killer / DB killer	50.DK.114.0
4	1	Silenziatore / Muffler	9873KT019SM2
5	1	Vite M8x40 / Screw M8x40	50.73.075.1
6	1	Rondella in alluminio nera / Black aluminium washer	50.73.221.1
7	1	Dado M8 flangiato / Flanged nut M8	50.73.393.1
8	1	Vite M8x12 / Screw M8 x 12	50.73.836.1
9	1	Rondella M8 / Washer M8	50.73.270.1
10	1	Staffa / Bracket	50.SS.1011.0
11	1	Molla media / Middle spring	50.73.359.1
12	1	Tubo in gomma per molla / Rubber pipe for spring	50.73.210.1
13	1	Tubo di raccordo / Link pipe	9773KT019S2



**OPTIONAL PART
KT.019.C1 - NO KAT PIPE**



APPLICAZIONI / APPLICATIONS

CODICE / COD	TUBO / PIPE	SILENZIATORE / MUFFLER
KT.019.LM2	INOX / ST. STEEL	INOX / ST. STEEL