



MODEL YAMAHA YZF 600 R6

YEAR 1999-2002

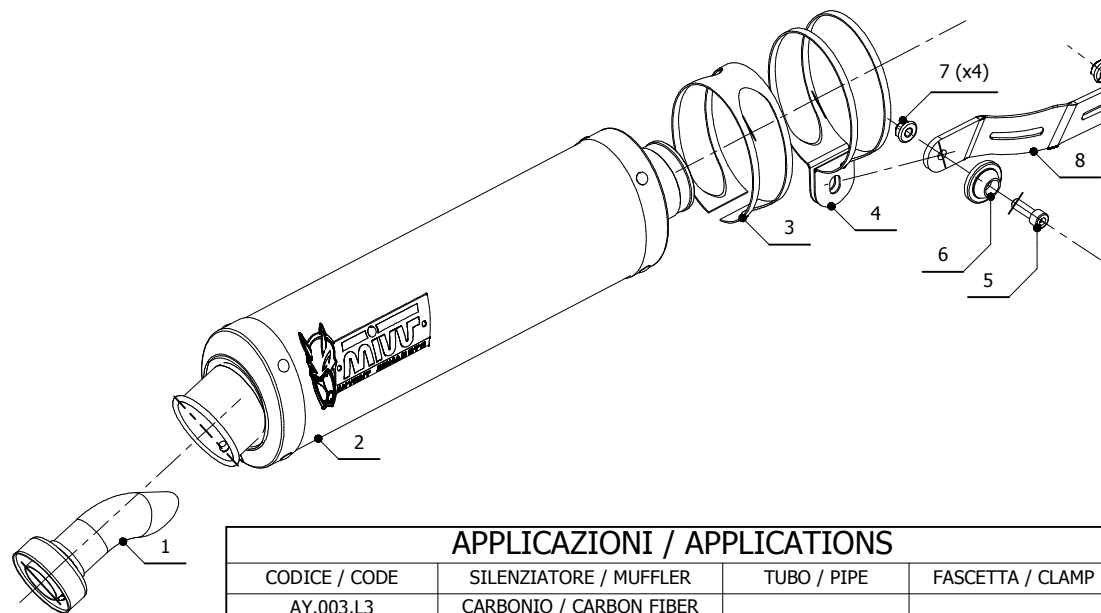
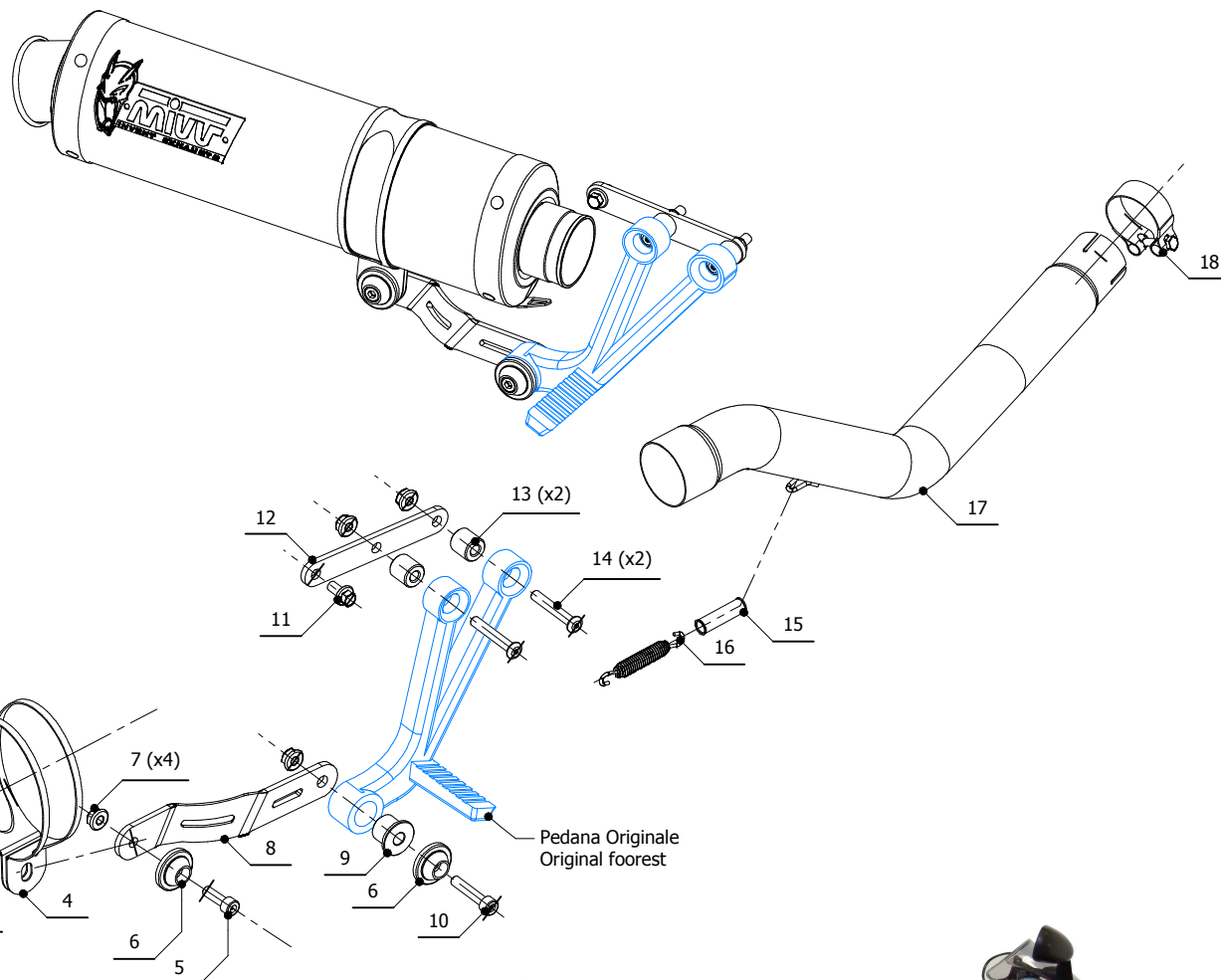
LINE SLIP ON

MUFFLER OVAL

SCHEMATIC

ELENCO PARTI / PARTS LIST

#	QTÀ / QTY	DESCRIZIONE / DESCRIPTION	CODICE / CODE
1	1	DB killer / DB killer	50.DK.020.0
2	1	Silenziatore / Muffler	OVAL 390
3	1	Protezione in gomma / Rubber protection	50.73.077.1
4	1	Staffa / Bracket	50.SS.030.0
5	1	Vite M8x25 / Screw M8x25	50.73.064.1
6	2	Rondella in alluminio / Aluminium washer	50.73.063.1
7	4	Dado M8 flangiato / Flanged nut M8	50.73.393.1
8	1	Staffa / Bracket	50.SS.052.1
9	1	Bussola in alluminio / Aluminium bush	50.SS.067.1
10	1	Vite M8x40 / Screw M8x40	50.73.075.1
11	1	Vite M8x16 / Screw M8x16	50.73.006.1
12	1	Staffa in alluminio / Aluminium bracket	50.SS.048.1
13	2	Distanziale in alluminio / Aluminium spacer (Øe.20 Øi.8,5 h.20)	50.SS.073.1
14	2	Vite M8 x 50 / Screw M8 x 50	50.73.088.1
15	1	Tubo in gomma per molla / Rubber pipe for spring	50.73.210.1
16	1	Molla lunga / Long spring	50.71.080.1
17	1	Tubo di raccordo / Link pipe	9773AY003S3
18	1	Fascetta Ø 48/51 mm / Pipe clamp Ø 48/51 mm	50.FA.007.1



APPLICAZIONI / APPLICATIONS

CODICE / CODE	SILENZIATORE / MUFFLER	TUBO / PIPE	FASCETTA / CLAMP
AY.003.L3	CARBONIO / CARBON FIBER		
AY.003.L4	TITANIO / TITANIUM	INOX / ST. STEEL	INOX / ST. STEEL
AY.003.LX1	INOX / ST. STEEL		

