



**MODEL** KAWASAKI Z 750 R

**YEAR** 2012-->

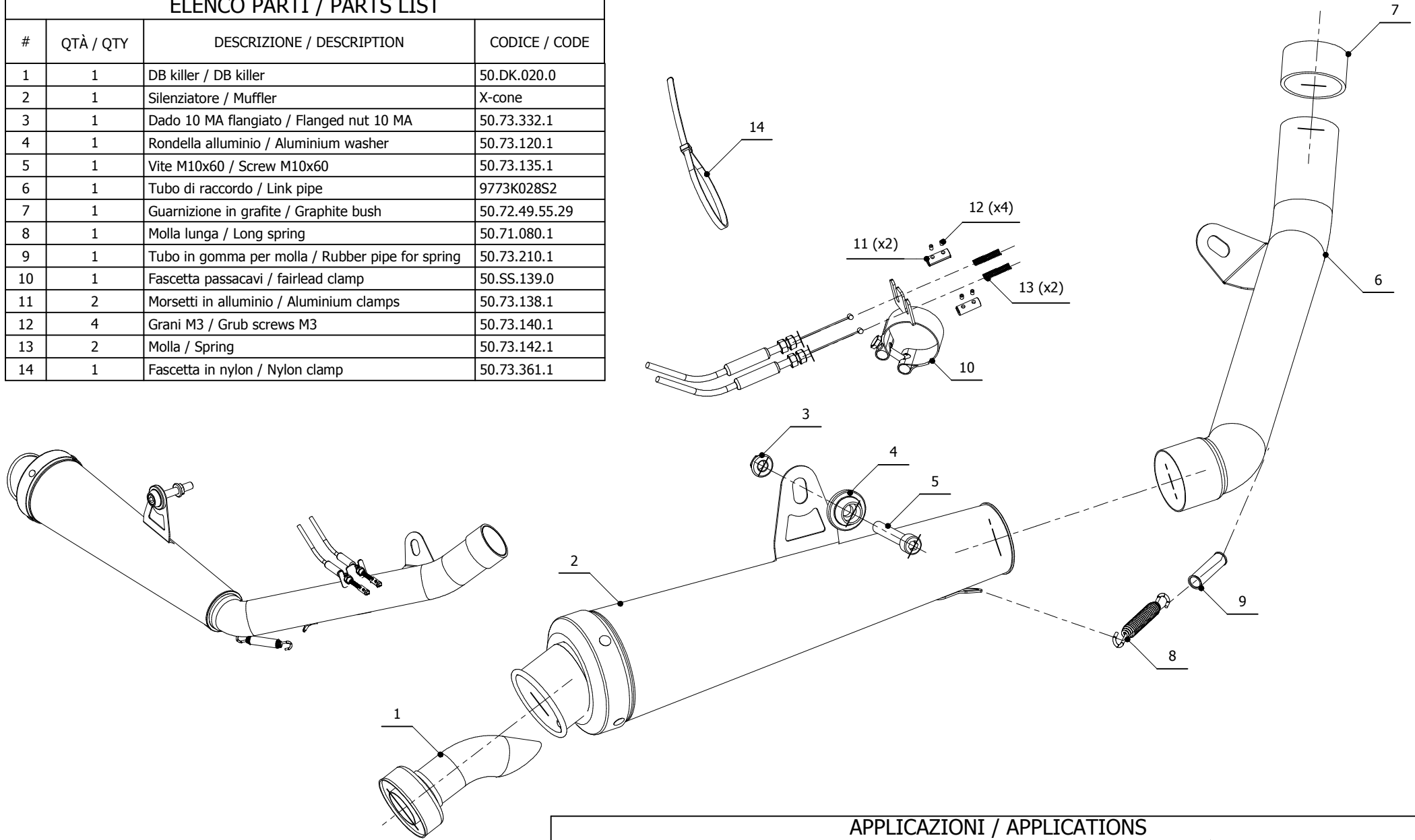
**LINE** SPORT

**MUFFLER** X-CONE

**SCHEMATIC**

**ELENCO PARTI / PARTS LIST**

#	QTÀ / QTY	DESCRIZIONE / DESCRIPTION	CODICE / CODE
1	1	DB killer / DB killer	50.DK.020.0
2	1	Silenziatore / Muffler	X-cone
3	1	Dado 10 MA flangiato / Flanged nut 10 MA	50.73.332.1
4	1	Rondella alluminio / Aluminium washer	50.73.120.1
5	1	Vite M10x60 / Screw M10x60	50.73.135.1
6	1	Tubo di raccordo / Link pipe	9773K028S2
7	1	Guarnizione in grafite / Graphite bush	50.72.49.55.29
8	1	Molla lunga / Long spring	50.71.080.1
9	1	Tubo in gomma per molla / Rubber pipe for spring	50.73.210.1
10	1	Fascetta passacavi / fairlead clamp	50.SS.139.0
11	2	Morsetti in alluminio / Aluminium clamps	50.73.138.1
12	4	Grani M3 / Grub screws M3	50.73.140.1
13	2	Molla / Spring	50.73.142.1
14	1	Fascetta in nylon / Nylon clamp	50.73.361.1



**APPLICAZIONI / APPLICATIONS**

CODICE / CODE	TUBO / PIPE	SILENZIATORE / MUFFLER	FASCETTA / CLAMP
K.028.LC3	INOX / ST. STEEL	INOX / ST. STEEL	///