



MODEL TRIUMPH TIGER 1050

YEAR 2007 - 2013

LINE SLIP ON

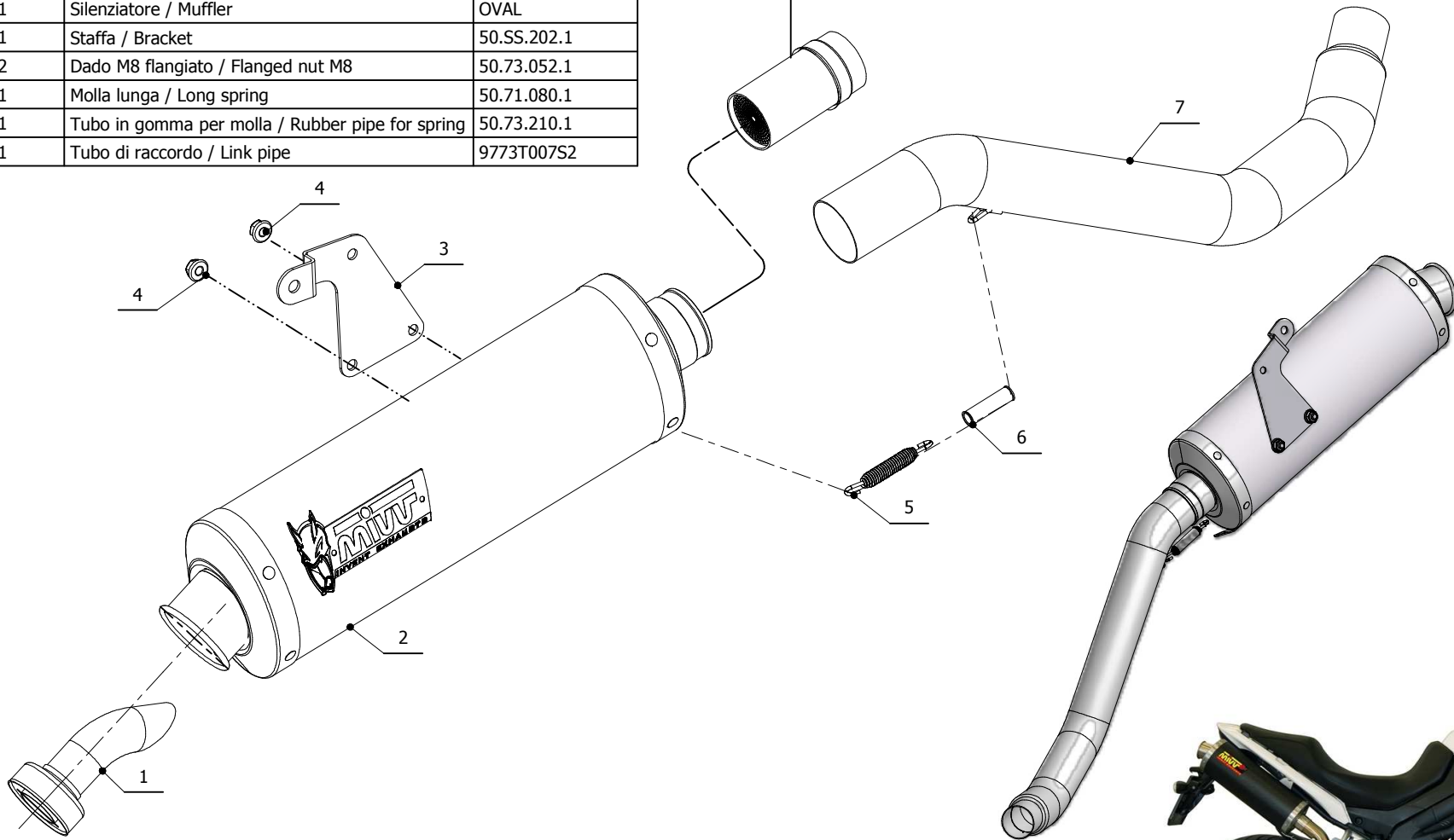
MUFFLER OVAL

SCHEMATIC

ELENCO PARTI / PARTS LIST

#	QTÀ / QTY	DESCRIZIONE / DESCRIPTION	CODICE / CODE
1	1	DB killer / DB killer	50.DK.020.0
2	1	Silenziatore / Muffler	OVAL
3	1	Staffa / Bracket	50.SS.202.1
4	2	Dado M8 flangiato / Flanged nut M8	50.73.052.1
5	1	Molla lunga / Long spring	50.71.080.1
6	1	Tubo in gomma per molla / Rubber pipe for spring	50.73.210.1
7	1	Tubo di raccordo / Link pipe	9773T007S2

Catalytic Converter
Cod. ACC.033.A1
*Optional for T.007.LX2
Included in T.007.KX2*



APPLICAZIONI / APPLICATIONS

CODICE / CODE	TUBO / PIPE	SILENZIATORE / MUFFLER	FASCETTA / CLAMP	NOTE
T.007.LX2	INOX / ST. STEEL	INOX / ST. STEEL	---	CATALYTIC CONVERTER NOT INCLUDED
T.007.KX2	INOX / ST. STEEL	INOX / ST. STEEL	---	CATALYTIC CONVERTER INCLUDED

