



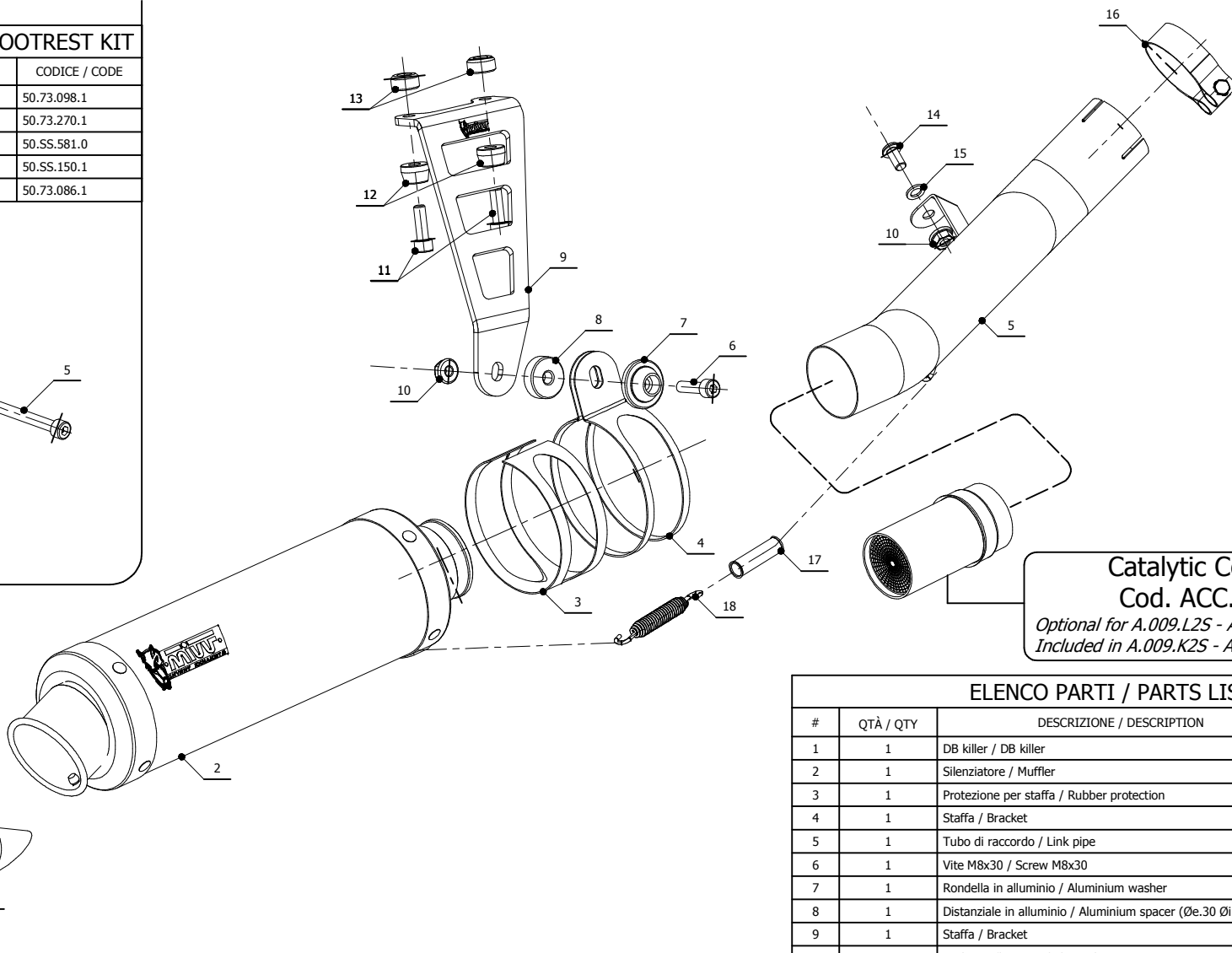
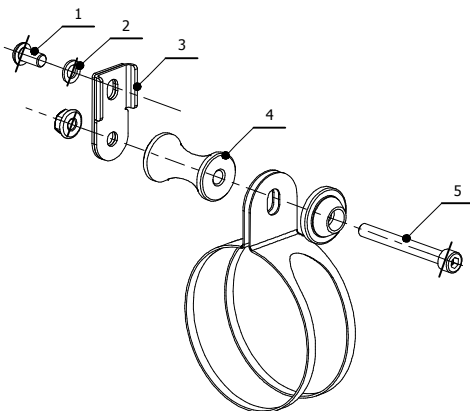
MODEL APRILIA RSV4 APRC
APRILIA TUONO V4 APRC
LINE SLIP ON

YEAR 2011 - 2016
2011 - 2016
MUFFLER GP

SCHEMATIC

KIT PEDANA ORIGINALE / ORIGINAL FOOTREST KIT

#	QTÀ / QTY	DESCRIZIONE / DESCRIPTION	CODICE / CODE
1	1	Vite M8 x 16 / Screw M8 x 16	50.73.098.1
2	1	Rondella M8 / Washer M8	50.73.270.1
3	1	Staffa / Bracket	50.SS.581.0
4	1	Distanziale in alluminio / Aluminium spacer	50.SS.150.1
5	1	Vite M8x70 / Screw M8x70	50.73.086.1



Catalytic Converter
Cod. ACC.033.A1
Optional for A.009.L2S - A.009.L6S - A.009.LXB
Included in A.009.K2S - A.009.K6S - A.009.KXB

ELENCO PARTI / PARTS LIST

#	QTÀ / QTY	DESCRIZIONE / DESCRIPTION	CODICE / CODE
1	1	DB killer / DB killer	50.DK.020.0
2	1	Silenziatore / Muffler	GP
3	1	Protezione per staffa / Rubber protection	50.73.040.1
4	1	Staffa / Bracket	50.SS.001.0
5	1	Tubo di raccordo / Link pipe	9773A008S2
6	1	Vite M8x30 / Screw M8x30	50.73.219.1
7	1	Rondella in alluminio / Aluminium washer	50.73.063.1
8	1	Distanziale in alluminio / Aluminium spacer (Øe.30 Øi.8,5 h.10)	50.SS.645.1
9	1	Staffa / Bracket	50.SS.623.0
10	2	Dado M8 flangiato / Flanged nut M8	50.73.052.1
11	2	Vite M8x25 / Screw M8x25	50.73.064.1
12	2	Rondella in alluminio / Aluminium washer	50.73.248.1
13	2	Distanziale in alluminio / Aluminium spacer (Øe.20 Øi.8,5 h.10)	50.SS.070.1
14	1	Vite M8 x 16 / Screw M8 x 16	50.73.098.1
15	1	Rondella M8 / Washer M8	50.73.270.1
16	1	Fascetta Ø 56/59 mm / Pipe clamp Ø 56/59 mm	50.FA.009.1
17	1	Tubo in gomma per molla / Rubber pipe for spring	50.73.210.1
18	1	Molla media / Middle spring	50.73.359.1

APPLICAZIONI / APPLICATIONS

CODICE / CODE	MUFFLER / SILENZIATORE	TUBO / PIPE	FASCETTA / CLAMP	NOTE
A.009.L2S A.009.L6S A.009.LXB	CARBONIO / CARBON FIBER TITANIO / TITANIUM STEEL BLACK	INOX / ST. STEEL	INOX / ST. STEEL	CATALYTIC CONVERTER NOT INCLUDED
A.009.K2S A.009.K6S A.009.KXB	CARBONIO / CARBON FIBER TITANIO / TITANIUM STEEL BLACK	INOX / ST. STEEL	INOX / ST. STEEL	CATALYTIC CONVERTER INCLUDED