



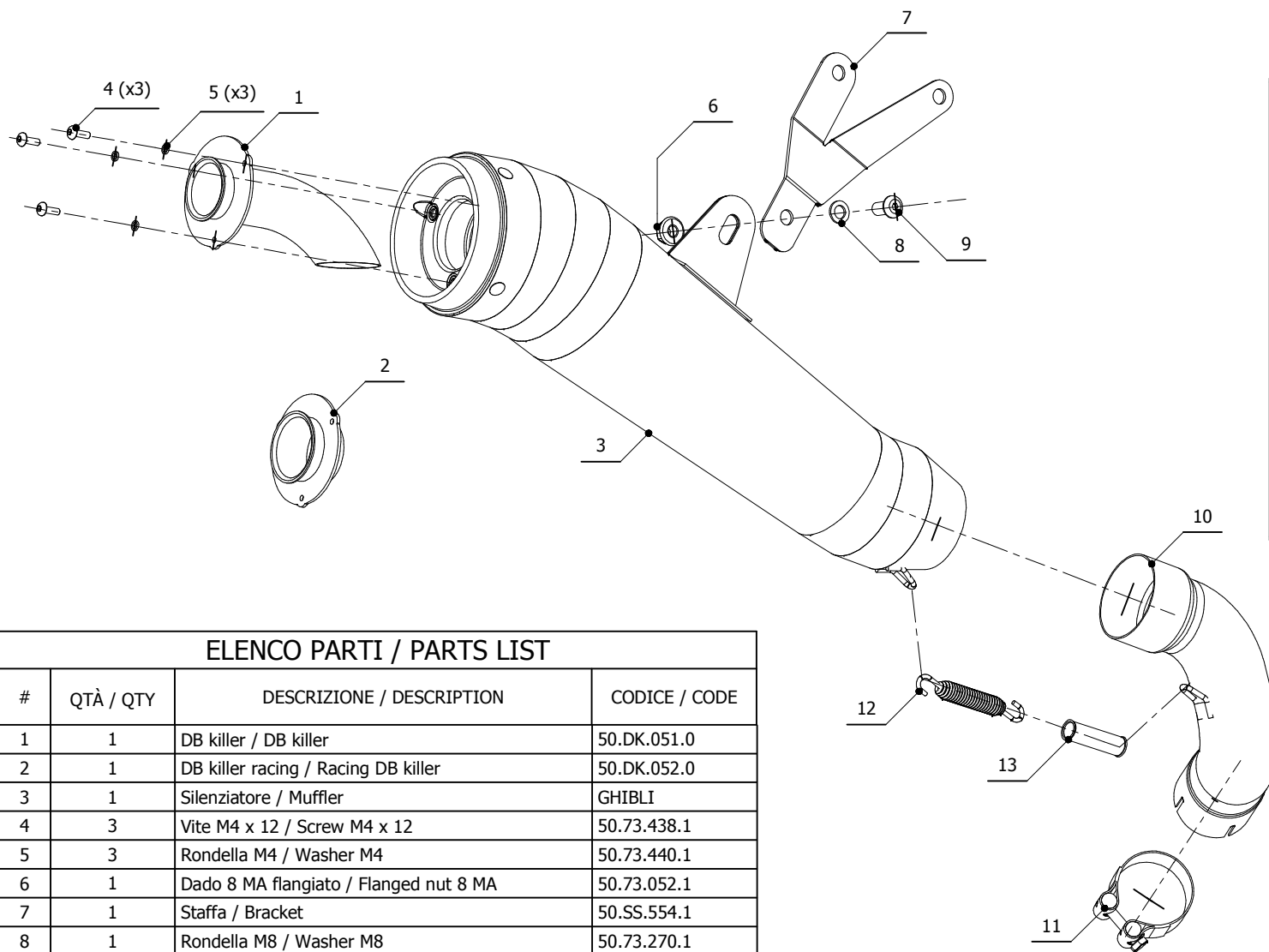
MODEL HONDA CB1000 R

YEAR 2008-->

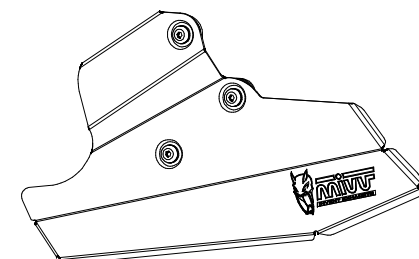
LINE SPORT

MUFFLER GHIBLI

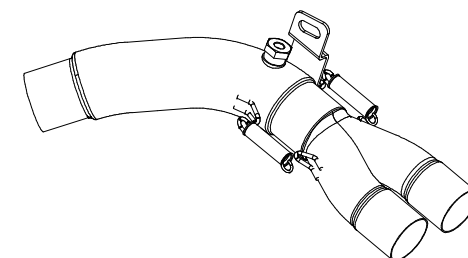
**SCHEMATIC**



**PARTI OPZIONALI / OPTIONAL PARTS**



COPERTURA IN ALLUMINIO / ALUMINIUM COVER  
50.CR.011.0 + KIT



TUBO ELIMINA KAT / NO KAT PIPE  
00.73.H.041.C1

**ELENCO PARTI / PARTS LIST**

#	QTÀ / QTY	DESCRIZIONE / DESCRIPTION	CODICE / CODE
1	1	DB killer / DB killer	50.DK.051.0
2	1	DB killer racing / Racing DB killer	50.DK.052.0
3	1	Silenziatore / Muffler	GHIBLI
4	3	Vite M4 x 12 / Screw M4 x 12	50.73.438.1
5	3	Rondella M4 / Washer M4	50.73.440.1
6	1	Dado 8 MA flangiato / Flanged nut 8 MA	50.73.052.1
7	1	Staffa / Bracket	50.SS.554.1
8	1	Rondella M8 / Washer M8	50.73.270.1
9	1	Vite M8 x 16 / Screw M8 x 16	50.73.098.1
10	1	Tubo di raccordo / Link pipe	9773H041S2
11	1	Fascetta Ø 48/51 mm / Pipe clamp Ø 48/51 mm	50.FA.007.1
12	1	Molla media / Middle spring	50.73.359.1
13	1	Tubo in gomma per molla / Rubber pipe for spring	50.73.210.1

**APPLICAZIONI / APPLICATIONS**

CODICE / CODE	TUBO / PIPE	SILENZIATORE / MUFFLER	
H.041.LGX	INOX / ST. STEEL	INOX / ST. STEEL	