



MODEL YAMAHA YZF R125

YEAR 2008-2013

LINE FULL SYSTEM

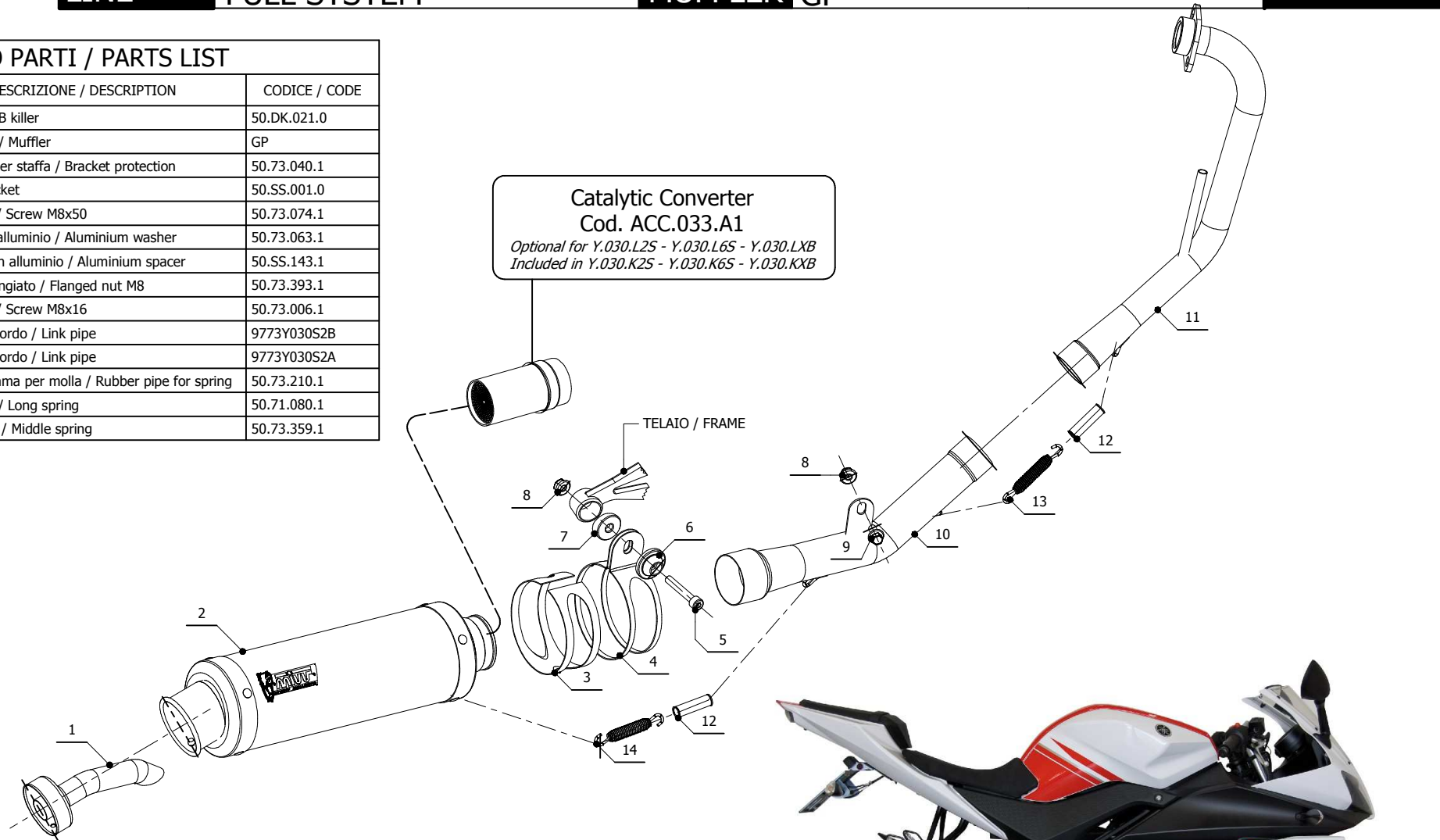
MUFFLER GP

SCHEMATIC

ELENCO PARTI / PARTS LIST

#	QTÀ / QTY	DESCRIZIONE / DESCRIPTION	CODICE / CODE
1	1	DB killer / DB killer	50.DK.021.0
2	1	Silenziatore / Muffler	GP
3	1	Protezione per staffa / Bracket protection	50.73.040.1
4	1	Staffa / Bracket	50.SS.001.0
5	1	Vite M8x50 / Screw M8x50	50.73.074.1
6	1	Rondella in alluminio / Aluminium washer	50.73.063.1
7	1	Distanziale in alluminio / Aluminium spacer	50.SS.143.1
8	2	Dado M8 flangiato / Flanged nut M8	50.73.393.1
9	1	Vite M8x16 / Screw M8x16	50.73.006.1
10	1	Tubo di raccordo / Link pipe	9773Y030S2B
11	1	Tubo di raccordo / Link pipe	9773Y030S2A
12	2	Tubo in gomma per molla / Rubber pipe for spring	50.73.210.1
13	1	Molla lunga / Long spring	50.71.080.1
14	1	Molla media / Middle spring	50.73.359.1

Catalytic Converter
Cod. ACC.033.A1
Optional for Y.030.L2S - Y.030.L6S - Y.030.LXB
Included in Y.030.K2S - Y.030.K6S - Y.030.KXB



APPLICAZIONI / APPLICATIONS

CODICE / CODE	SILENZIATORE / MUFFLER	TUBO / PIPE	FASCETTA / CLAMP	NOTE
Y.030.L2S Y.030.L6S Y.030.LXB	CARBONIO / CARBON FIBER TITANIO / TITANIUM STEEL BLACK	INOX / ST. STEEL	INOX / ST. STEEL	CATALYTIC CONVERTER NOT INCLUDED
Y.030.K2S Y.030.K6S Y.030.KXB	CARBONIO / CARBON FIBER TITANIO / TITANIUM STEEL BLACK	INOX / ST. STEEL	INOX / ST. STEEL	CATALYTIC CONVERTER INCLUDED

