



MODEL HONDA XLV 700 TRANSALP

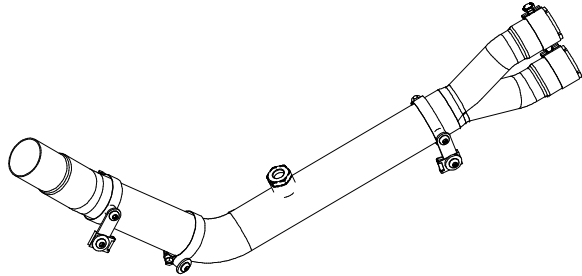
YEAR 2008

LINE SPORT

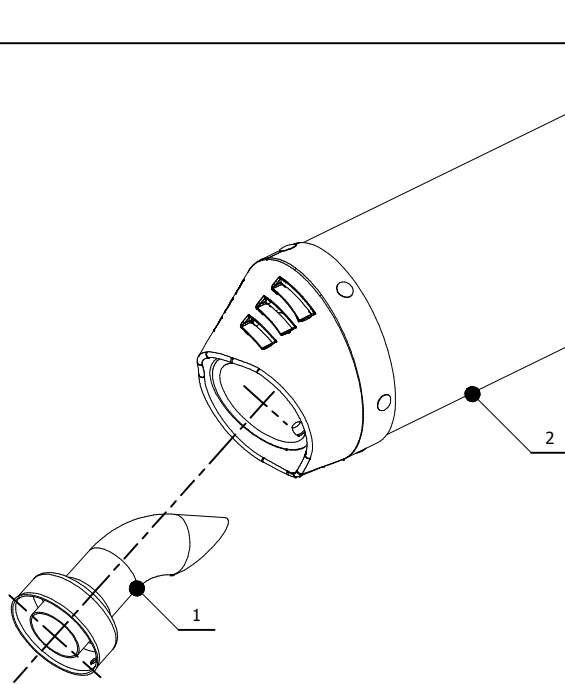
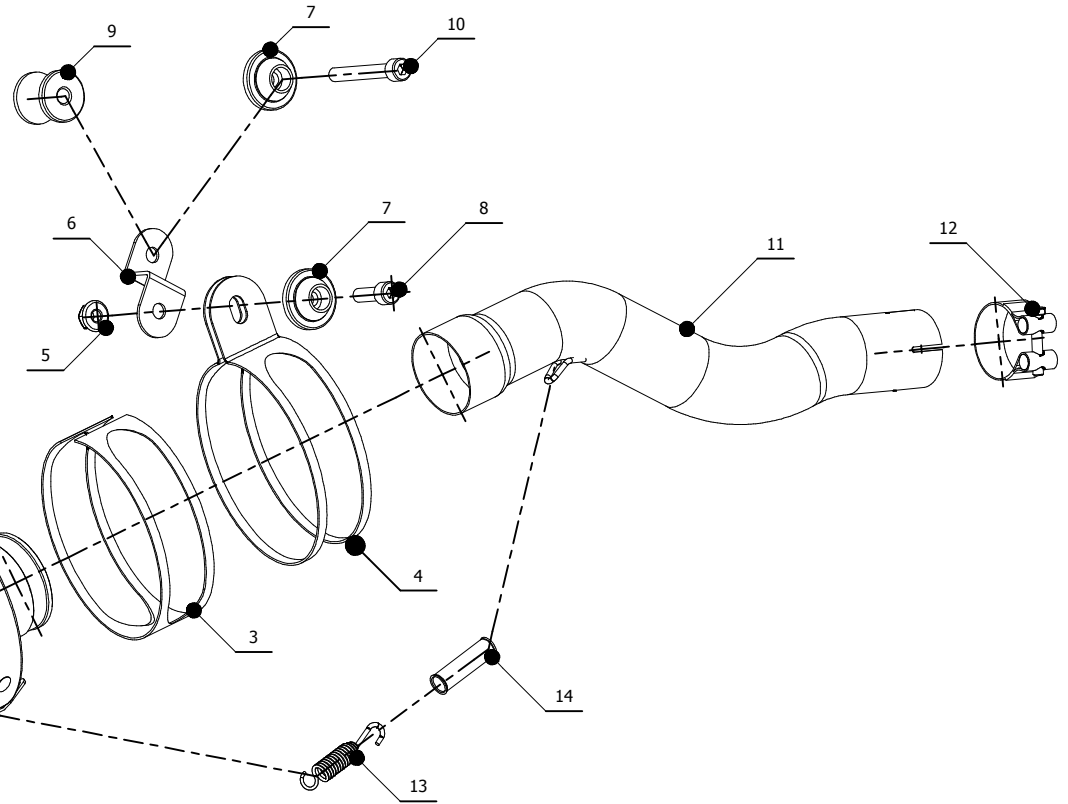
MUFFLER OVAL CARBON CAP

SCHEMATIC

PARTI OPZIONALI / OPTIONAL PARTS



TUBO ELIMINA KAT / NO KAT PIPE
00.73.H.040.C1



ELENCO PARTI / PARTS LIST

#	QTÀ / QTY	DESCRIZIONE / DESCRIPTION	CODICE / CODE
1	1	DB killer / DB killer	50.DK.020.0
2	1	Silenziatore / Muffler	OVAL CARBON CAP
3	1	Protezione in gomma per staffa / Rubber protection for bracket	50.73.077.1
4	1	Staffa / Bracket	50.SS.030.0
5	1	Dado 8 MA flangiato / Flanged nut 8 MA	50.73.052.1
6	1	Staffa / Bracket	50.SS.091.0
7	2	Rondella in alluminio / Aluminium washer	50.73.063.1
8	1	Vite M8x25 / Screw M8x25	50.73.064.1
9	1	Distanziale in alluminio / Aluminium spacer	50.SS.054.1
10	1	Vite M8x60 / Screw M8x60	50.73.078.1
11	1	Tubo di raccordo / Link pipe	9773H040S2
12	1	Fascetta Ø 44/47 mm / Pipe clamp Ø 44/47 mm	50.FA.006.1
13	1	Molla corta / Short Spring	50.73.123.1
14	1	Tubo in gomma per molla / Rubber pipe for spring	50.73.210.1

APPLICAZIONI / APPLICATIONS

CODICE / CODE	TUBO / PIPE	SILENZIATORE / MUFFLER	FASCETTA / CLAMP
H.040.L3C	INOX / ST. STEEL	CARBONIO (COPPA CARBONIO) / CARBON (CARBON CAP)	INOX / ST. STEEL
H.040.L4C	INOX / ST. STEEL	TITANIO (COPPA CARBONIO) / TITANIUM (CARBON CAP)	INOX / ST. STEEL