



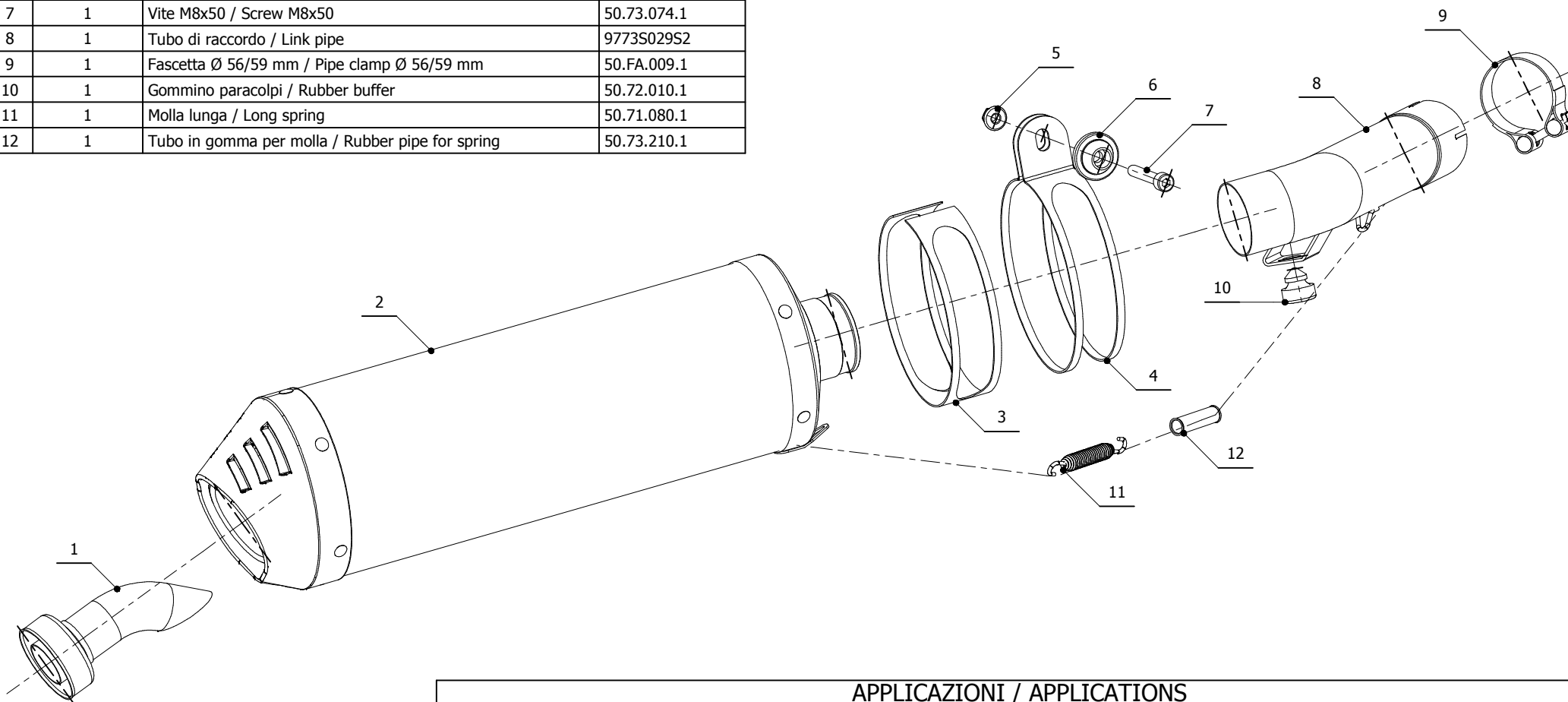
MODEL SUZUKI GSF 1250 BANDIT
SUZUKI GSX 1250 FA
LINE SPORT

YEAR 2007 -->
2009 -->
MUFFLER OVAL CARBON CAP

SCHEMATIC

ELENCO PARTI / PARTS LIST

#	QTÀ / QTY	DESCRIZIONE / DESCRIPTION	CODICE / CODE
1	1	DB killer / DB killer	50.DK.020.0
2	1	Silenziatore / Muffler	OVAL CARBON CAP
3	1	Protezione in gomma per staffa / Rubber protection for bracket	50.73.041.1
4	1	Staffa / Bracket	50.SS.002.0
5	1	Dado M8 flangiato / Flanged nut M8	50.73.393.1
6	1	Rondella in alluminio / Aluminium washer	50.73.063.1
7	1	Vite M8x50 / Screw M8x50	50.73.074.1
8	1	Tube di raccordo / Link pipe	9773S029S2
9	1	Fascetta Ø 56/59 mm / Pipe clamp Ø 56/59 mm	50.FA.009.1
10	1	Gommino paracolpi / Rubber buffer	50.72.010.1
11	1	Molla lunga / Long spring	50.71.080.1
12	1	Tube in gomma per molla / Rubber pipe for spring	50.73.210.1



APPLICAZIONI / APPLICATIONS

CODICE / CODE	TUBO / PIPE	SILENZIATORE / MUFFLER	FASCETTA / CLAMP
S.029.LEC	INOX / ST. STEEL	CARBONIO / CARBON FIBER	INOX / ST. STEEL
S.029.LNC	INOX / ST. STEEL	TITANIO / TITANIUM	INOX / ST. STEEL