



**MODEL** BMW R 1200 GS

**YEAR** 2004

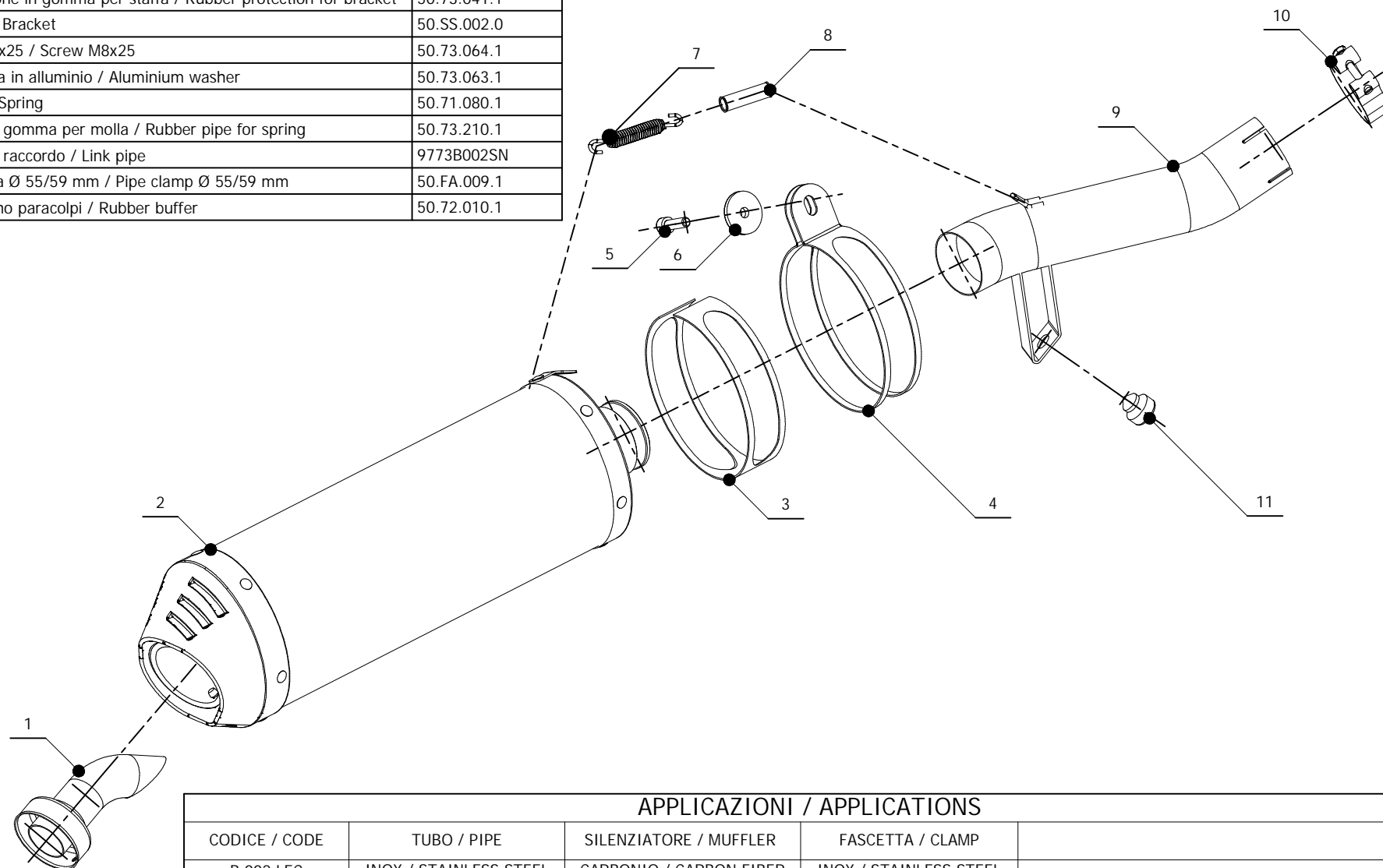
**LINE** SPORT

**MUFFLER** OVAL CARBON CAP

**SCHEMATIC**

ELENCO PARTI / PARTS LIST

#	QTA / QTY	DESCRIZIONE / DESCRIPTION	CODICE / CODE
1	1	DB killer / DB killer	50.DK.020.0
2	1	Silenziatore / Muffler	OVAL CARBON CAP
3	1	Protezione in gomma per staffa / Rubber protection for bracket	50.73.041.1
4	1	Staffa / Bracket	50.SS.002.0
5	1	Vite M8x25 / Screw M8x25	50.73.064.1
6	1	Rondella in alluminio / Aluminium washer	50.73.063.1
7	1	Molla / Spring	50.71.080.1
8	1	Tubo in gomma per molla / Rubber pipe for spring	50.73.210.1
9	1	Tubo di raccordo / Link pipe	9773B002SN
10	1	Fascetta Ø 55/59 mm / Pipe clamp Ø 55/59 mm	50.FA.009.1
11	1	Gommino paracolpi / Rubber buffer	50.72.010.1



APPLICAZIONI / APPLICATIONS

CODICE / CODE	TUBO / PIPE	SILENZIATORE / MUFFLER	FASCETTA / CLAMP
B.002.LEC	INOX / STAINLESS STEEL	CARBONIO / CARBON FIBER	INOX / STAINLESS STEEL
B.002.LNC	INOX / STAINLESS STEEL	TITANIO / TITANIUM	INOX / STAINLESS STEEL