



MODEL BMW R 1200 GS

YEAR 2008 -->

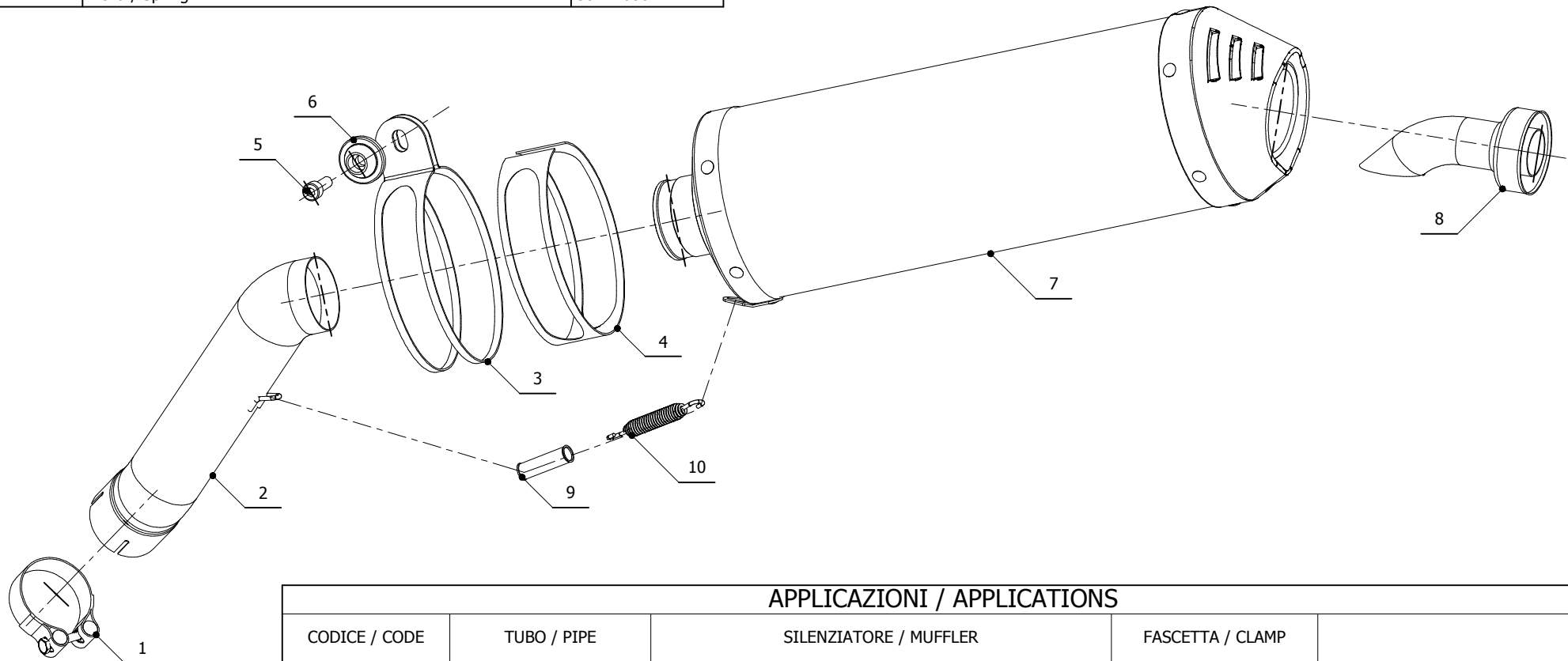
LINE SPORT

MUFFLER OVAL CARBON CAP

SCHEMATIC

ELENCO PARTI / PARTS LIST

#	QTÀ / QTY	DESCRIZIONE / DESCRIPTION	CODICE / CODE
1	1	Fascetta Ø 56/59 mm / Pipe clamp Ø 56/59 mm	50.FA.009.1
2	1	Tubo di raccordo / Link pipe	9773B004SE
3	1	Staffa / Bracket	50.SS.002.0
4	1	Protezione in gomma per staffa / Rubber protection for bracket	50.73.041.1
5	1	Vite M8x25 / Screw M8x25	50.73.064.1
6	1	Rondella in alluminio / Aluminium washer	50.73.063.1
7	1	Silenziatore / Muffler	OVAL CARBON CAP
8	1	DB killer / DB killer	50.DK.020.0
9	1	Tubo in gomma per molla / Rubber pipe for spring	50.73.210.1
10	1	Molla / Spring	50.71.080.1



APPLICAZIONI / APPLICATIONS

CODICE / CODE	TUBO / PIPE	SILENZIATORE / MUFFLER	FASCETTA / CLAMP
B.004.LEC	INOX / ST.STEEL	CARBONIO (COPPA CARBONIO) / CARBON (CARBON CAP)	INOX / ST.STEEL
B.004.LNC	INOX / ST.STEEL	TITANIO (COPPA CARBONIO) / TITANIUM (CARBON CAP)	INOX / ST.STEEL