



MODEL MOTO GUZZI BREVA 1200

YEAR 2007-->

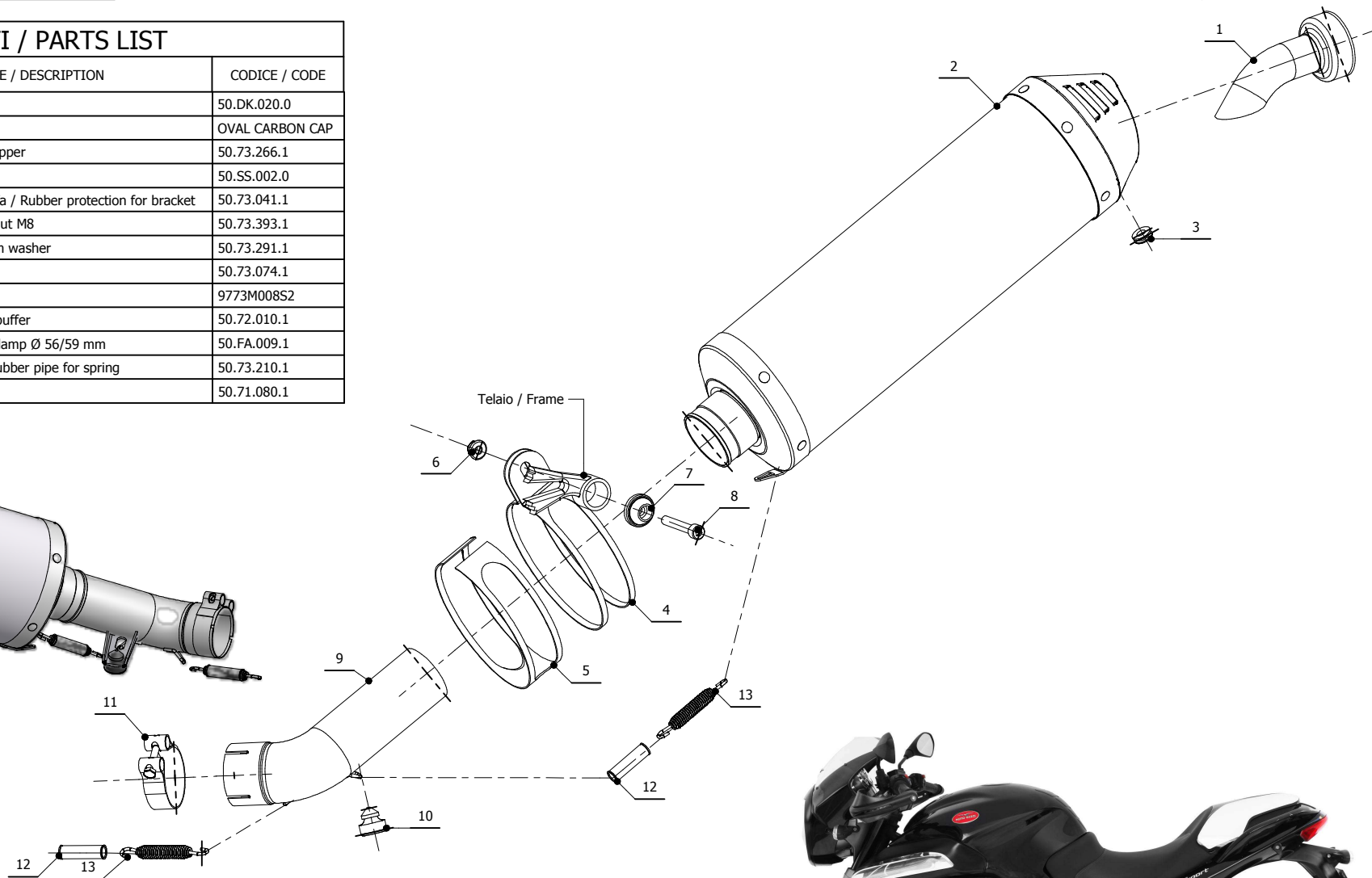
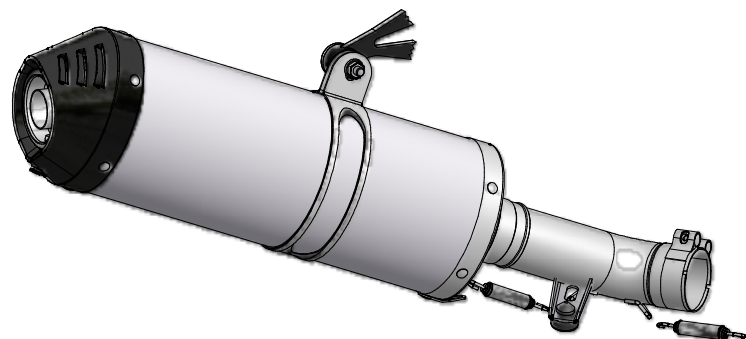
LINE SPORT

MUFFLER OVAL CARBON CAP

SCHEMATIC

ELENCO PARTI / PARTS LIST

#	QTÀ / QTY	DESCRIZIONE / DESCRIPTION	CODICE / CODE
1	1	DB killer / DB killer	50.DK.020.0
2	1	Silenziatore / Muffler	OVAL CARBON CAP
3	1	Tappo in gomma / Rubber stopper	50.73.266.1
4	1	Staffa / Bracket	50.SS.002.0
5	1	Protezione in gomma per staffa / Rubber protection for bracket	50.73.041.1
6	1	Dado M8 flangiato / Flanged nut M8	50.73.393.1
7	1	Rondella alluminio / Aluminium washer	50.73.291.1
8	1	Vite M8x50 / Screw M8x50	50.73.074.1
9	1	Tubo di raccordo / Link pipe	9773M008S2
10	1	Gommino paracolpi / Rubber buffer	50.72.010.1
11	1	Fascetta Ø 56/59 mm / Pipe clamp Ø 56/59 mm	50.FA.009.1
12	2	Tubo in gomma per molla / Rubber pipe for spring	50.73.210.1
13	2	Molla lunga / Long spring	50.71.080.1



APPLICAZIONI / APPLICATIONS

CODICE / CODE	TUBO / PIPE	SILENZIATORE / MUFFLER	FASCETTA / CLAMP
M.008.LEC	INOX / ST. STEEL	CARBONIO (COPPA CARBONIO) / CARBON (CARBON CAP)	INOX / ST. STEEL
M.008.LNC	INOX / ST. STEEL	TITANIO (COPPA CARBONIO) / TITANIUM (CARBON CAP)	INOX / ST. STEEL