



MODEL KAWASAKI ZX-6 R
KAWASAKI ZX-6 R 636

YEAR 2009-
2013-

SCHEMATIC

LINE SPORT

MUFFLER SUONO

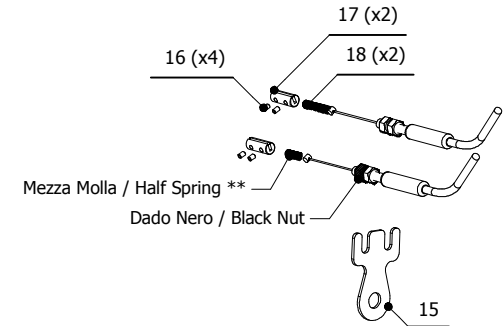
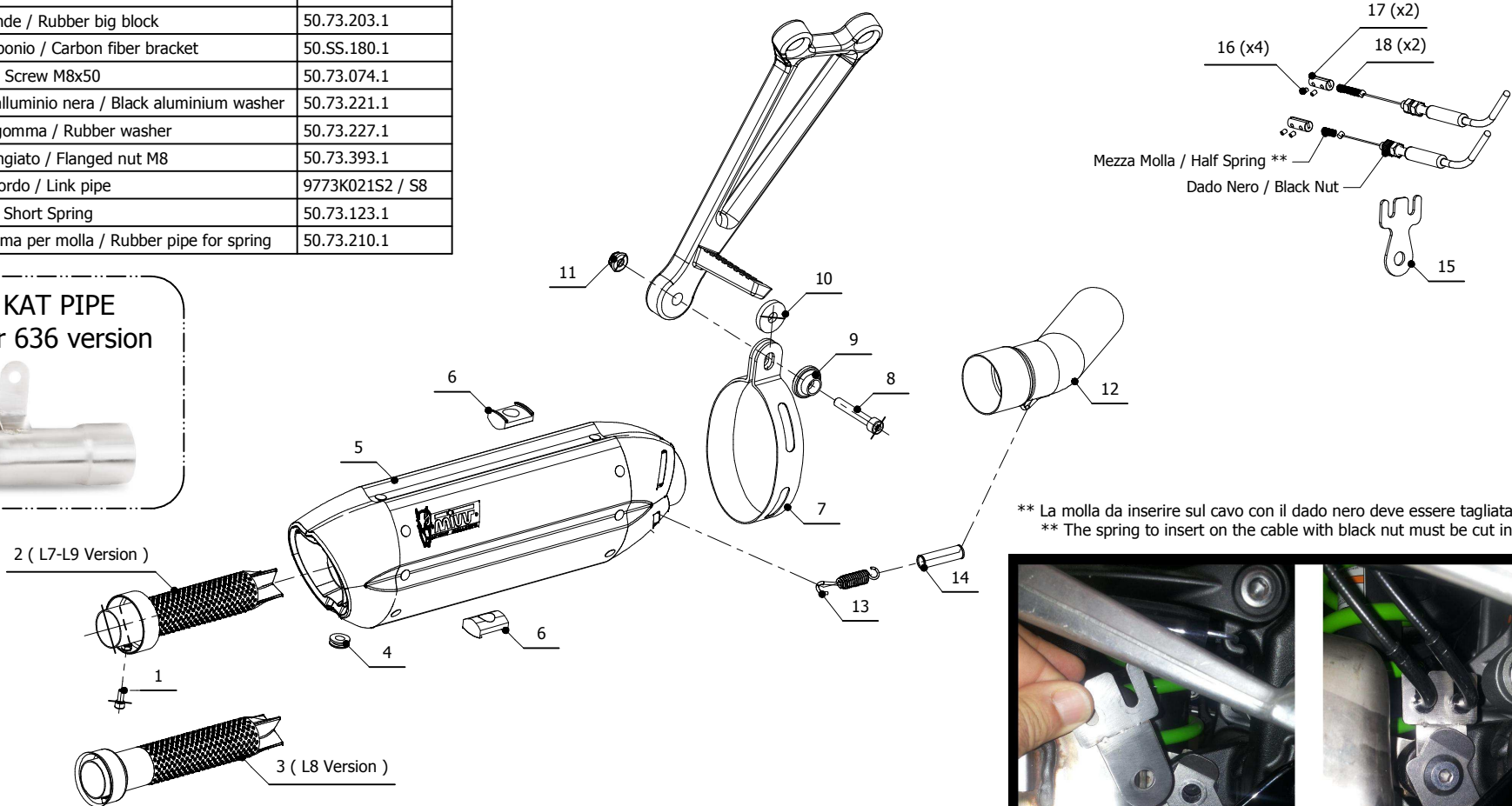
ELENCO PARTI / PARTS LIST

#	QTÀ / QTY	DESCRIZIONE / DESCRIPTION	CODICE / CODE
1	1	Vite M5x12 / Screw M5 x 12	50.73.628.1
2	1	Db Killer forato / Drilled DB killer (L7-L9 Version)	50.DK.071.0
3	1	Db Killer forato / Drilled DB killer (L8 Version)	50.DK.038.0
4	1	Tappo in gomma / Rubber stopper	50.73.266.1
5	1	Silenziatore / Muffler	SUONO 270
6	2	Tassello grande / Rubber big block	50.73.203.1
7	1	Staffa in carbonio / Carbon fiber bracket	50.SS.180.1
8	1	Vite M8x50 / Screw M8x50	50.73.074.1
9	1	Rondella in alluminio nera / Black aluminium washer	50.73.221.1
10	1	Rondella in gomma / Rubber washer	50.73.227.1
11	1	Dado M8 flangiato / Flanged nut M8	50.73.393.1
12	1	Tubo di raccordo / Link pipe	9773K021S2 / S8
13	1	Molla corta / Short Spring	50.73.123.1
14	1	Tubo in gomma per molla / Rubber pipe for spring	50.73.210.1

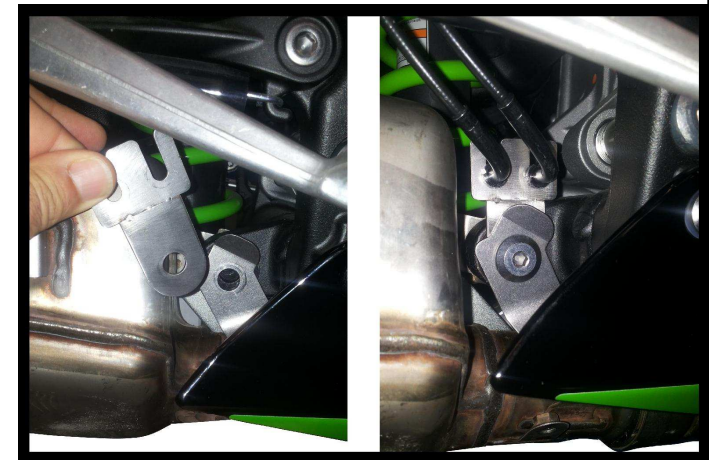
MONTAGGIO CAVI VALVOLA / THROTTLE CABLE ASSEMBLY

#	QTÀ / QTY	DESCRIZIONE / DESCRIPTION	CODICE / CODE
15	1	Staffa / Bracket	50.73.787.0
16	4	Grani M3 / Grub screws M3	50.73.140.1
17	2	Morsetti in alluminio / Aluminium clamps	50.73.138.1
18	2	Molla / Spring	50.73.142.1

OPTIONAL NO KAT PIPE
K.022.C2 - Only for 636 version



** La molla da inserire sul cavo con il dado nero deve essere tagliata a metà
** The spring to insert on the cable with black nut must be cut in half



APPLICAZIONI / APPLICATIONS

CODICE / CODE	TUBO / PIPE	SILENZIATORE / MUFFLER	FASCETTA / CLAMP
K.022.L7	INOX / ST. STEEL	INOX (COPPE CARBONIO) / ST. STEEL (CARBON CAPS)	CARBONIO / CARBON FIBER
K.022.L8	TITANIO / TITANIUM	TITANIO (COPPE CARBONIO) / TITANIUM (CARBON CAPS)	
K.022.L9	INOX / ST. STEEL	STEEL BLACK	