



**MODEL** HONDA CBR 125 R

**YEAR** 2011 -->

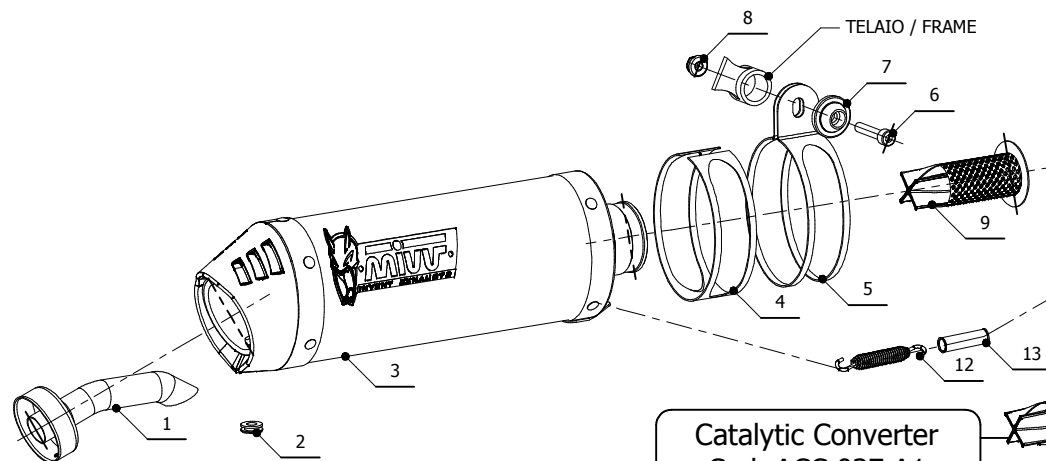
**LINE** FULL SYSTEM

**MUFFLER** OVAL CARBON CAP

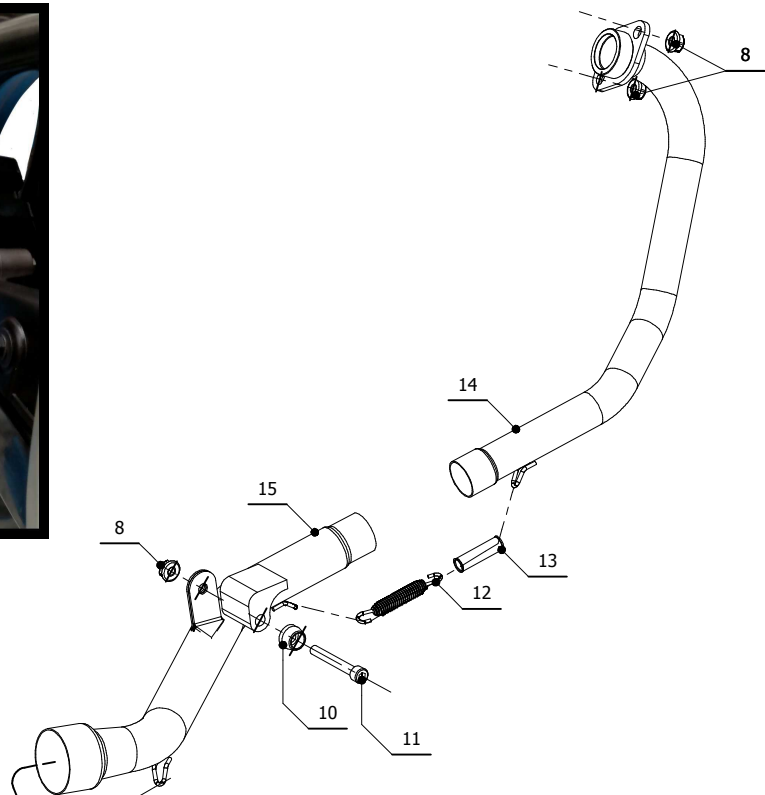
**SCHEMATIC**

**ELENCO PARTI / PARTS LIST**

| #  | QTÀ / QTY | DESCRIZIONE / DESCRIPTION                                      | CODICE / CODE       |
|----|-----------|--|---------------------|
| 1  | 1         | DB killer / DB killer  | 50.DK.021.0         |
| 2  | 1         | Tappo in gomma / Rubber stopper                                | 50.73.266.1         |
| 3  | 1         | Silenziatore / Muffler   | OVAL CARBON CAP 300 |
| 4  | 1         | Protezione in gomma per staffa / Rubber protection for bracket | 50.73.077.1         |
| 5  | 1         | Staffa / Bracket   | 50.SS.030.0         |
| 6  | 1         | Vite M8x40 / Screw M8x40                                       | 50.73.075.1         |
| 7  | 1         | Rondella in alluminio / Aluminium washer                       | 50.73.063.1         |
| 8  | 4         | Dado M8 flangiato / Flanged nut M8                             | 50.73.393.1         |
| 9  | 1         | Db Killer forato / Drilled DB killer                           | 50.DK.082.0         |
| 10 | 1         | Rondella in alluminio / Aluminium washer                       | 50.73.248.1         |
| 11 | 1         | Vite M8x60 / Screw M8x60                                       | 50.73.078.1         |
| 12 | 2         | Molla lunga / Long spring                                      | 50.71.080.1         |
| 13 | 2         | Tube in gomma per molla / Rubber pipe for spring               | 50.73.210.1         |
| 14 | 1         | Tube di raccordo / Link pipe                                   | 9773H043S2A         |
| 15 | 1         | Tube di raccordo / Link pipe                                   | 9773H060S2B         |



**Catalytic Converter**  
**Cod. ACC.037.A1**  
*Optional for H.060.L3C - H.060.L4C*  
*Included in H.060.K3C - H.060.K4C*



**APPLICAZIONI / APPLICATIONS**

| CODICE / CODE | SILENZIATORE / MUFFLER                           | TUBO / PIPE     | FASCETTA / CLAMP | NOTE                |
|---------------|--|-----------------|------------------|---------------------|
| H.060.L3C     | CARBONIO (COPPA CARBONIO) / CARBON (CARBON CAP)  | INOX / ST.STEEL | INOX / ST.STEEL  | CATALYTIC CONVERTER |
| H.060.L4C     | TITANIO (COPPA CARBONIO) / TITANIUM (CARBON CAP) | INOX / ST.STEEL | INOX / ST.STEEL  | NOT INCLUDED        |
| H.060.K3C     | CARBONIO (COPPA CARBONIO) / CARBON (CARBON CAP)  | INOX / ST.STEEL | INOX / ST.STEEL  | CATALYTIC CONVERTER |
| H.060.K4C     | TITANIO (COPPA CARBONIO) / TITANIUM (CARBON CAP) | INOX / ST.STEEL | INOX / ST.STEEL  | INCLUDED            |