



MODEL SUZUKI GSX-R 1000

YEAR 2007

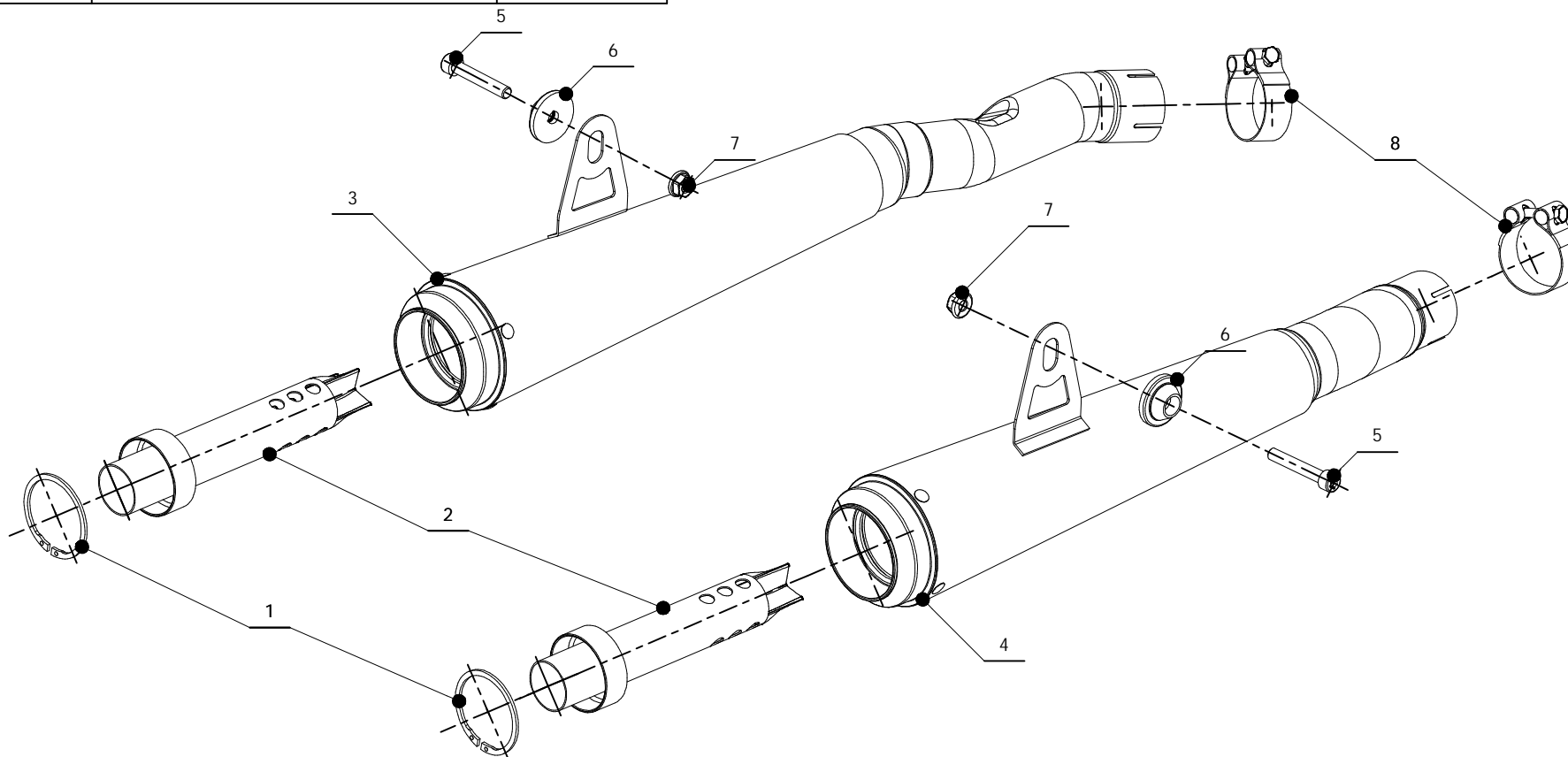
LINE SPORT

MUFFLER X-cone Plus

SCHEMATIC

ELENCO PARTI / PARTS LIST

#	QTÀ / QTY	DESCRIZIONE / DESCRIPTION	CODICE / CODE
1	2	Anello Seger / Seger Ring	50.73.218.1
2	2	DB killer / DB killer	50.DK.029.0
3	1	Silenziatore sinistro / Left muffler	X-cone Plus SX
4	1	Silenziatore destro / Right muffler	X-cone Plus DX
5	2	Vite M8x50 / Screw M8x50	50.73.074.1
6	2	Rondella in alluminio / Aluminium washer	50.73.063.1
7	2	Dado 8 MA flangiato / Flanged nut 8 MA	50.73.052.1
8	2	Fascetta Ø 47/51mm / Pipe clamp Ø 47/51mm	50.FA.007.1



APPLICAZIONI / APPLICATIONS

CODICE / CODE	TUBO / PIPE	MUFFLER / SILENZIATORE	FASCETTA / CLAMP
S.028.LP2	INOX / STAINLESS STEEL	INOX / STAINLESS STEEL	INOX / STAINLESS STEEL