



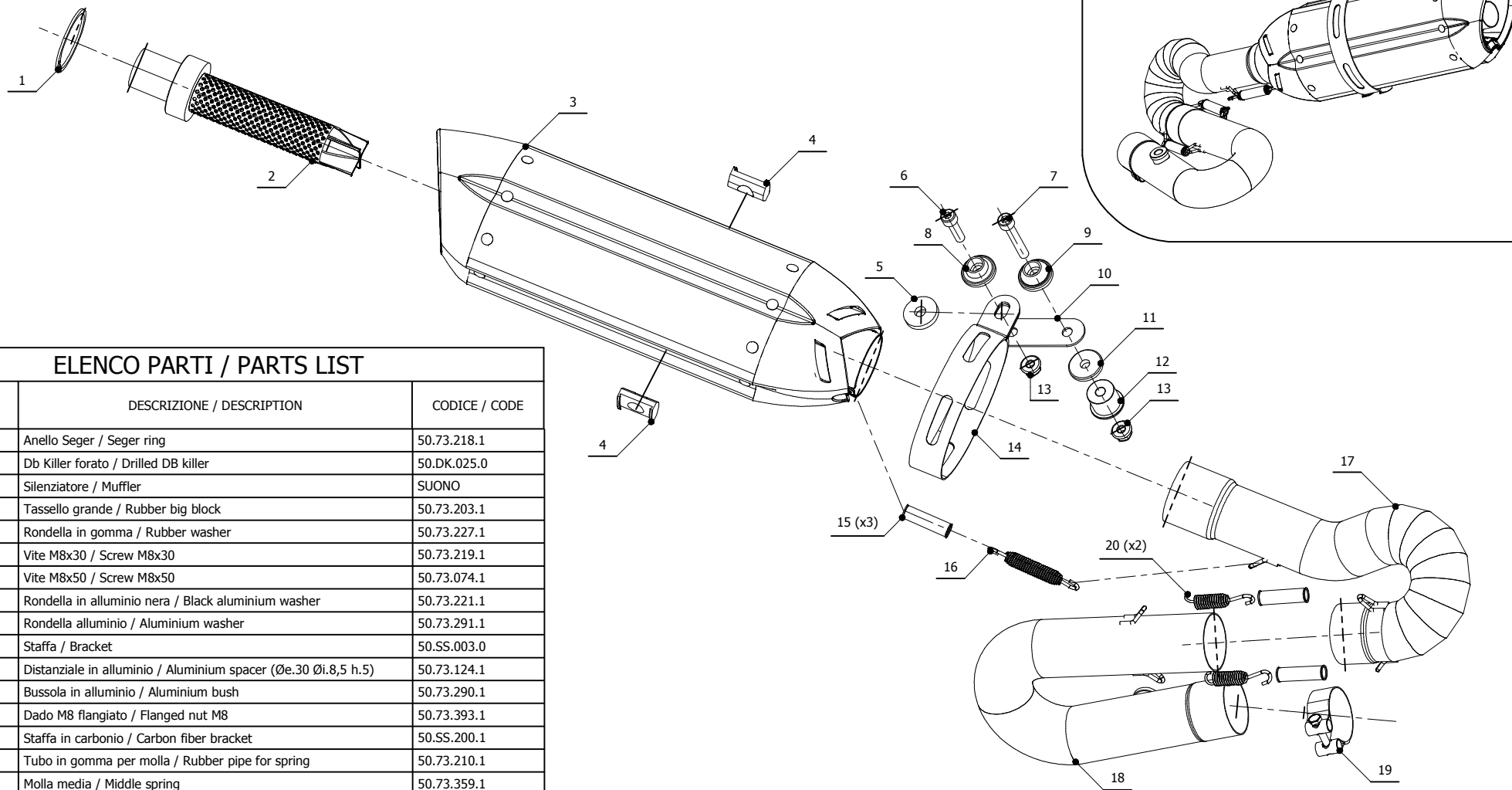
MODEL HONDA CBR1000 RR

YEAR 2008-2013

LINE SPORT

MUFFLER SUONO

SCHEMATIC



ELENCO PARTI / PARTS LIST

#	QTÀ / QTY	DESCRIZIONE / DESCRIPTION	CODICE / CODE
1	1	Anello Seger / Seger ring	50.73.218.1
2	1	Db Killer forato / Drilled DB killer	50.DK.025.0
3	1	Silenziatore / Muffler	SUONO
4	2	Tassello grande / Rubber big block	50.73.203.1
5	1	Rondella in gomma / Rubber washer	50.73.227.1
6	1	Vite M8x30 / Screw M8x30	50.73.219.1
7	1	Vite M8x50 / Screw M8x50	50.73.074.1
8	1	Rondella in alluminio nera / Black aluminium washer	50.73.221.1
9	1	Rondella alluminio / Aluminium washer	50.73.291.1
10	1	Staffa / Bracket	50.SS.003.0
11	1	Distanziale in alluminio / Aluminium spacer (Øe.30 Øi.8,5 h.5)	50.73.124.1
12	1	Bussola in alluminio / Aluminium bush	50.73.290.1
13	2	Dado M8 flangiato / Flanged nut M8	50.73.393.1
14	1	Staffa in carbonio / Carbon fiber bracket	50.SS.200.1
15	3	Tubo in gomma per molla / Rubber pipe for spring	50.73.210.1
16	1	Molla media / Middle spring	50.73.359.1
17	1	Tubo di raccordo / Link pipe	9773H039S2B
18	1	Tubo di raccordo / Link pipe	9773H039S2A
19	1	Fascetta Ø 48/51 mm / Pipe clamp Ø 48/51 mm	50.FA.007.1
20	2	Molla corta / Short Spring	50.73.123.1

APPLICAZIONI / APPLICATIONS

CODICE / CODE	TUBO / PIPE	SILENZIATORE / MUFFLER	FASCETTA / CLAMP
H.039.L7	INOX / ST. STEEL	INOX (COPPE CARBONIO) / ST. STEEL (CARBON CAPS)	CARBONIO / CARBON FIBER
H.039.L9	INOX / ST. STEEL	STEEL BLACK	CARBONIO / CARBON FIBER