



**MODEL** BMW F 800 R

**YEAR** 2009 -->

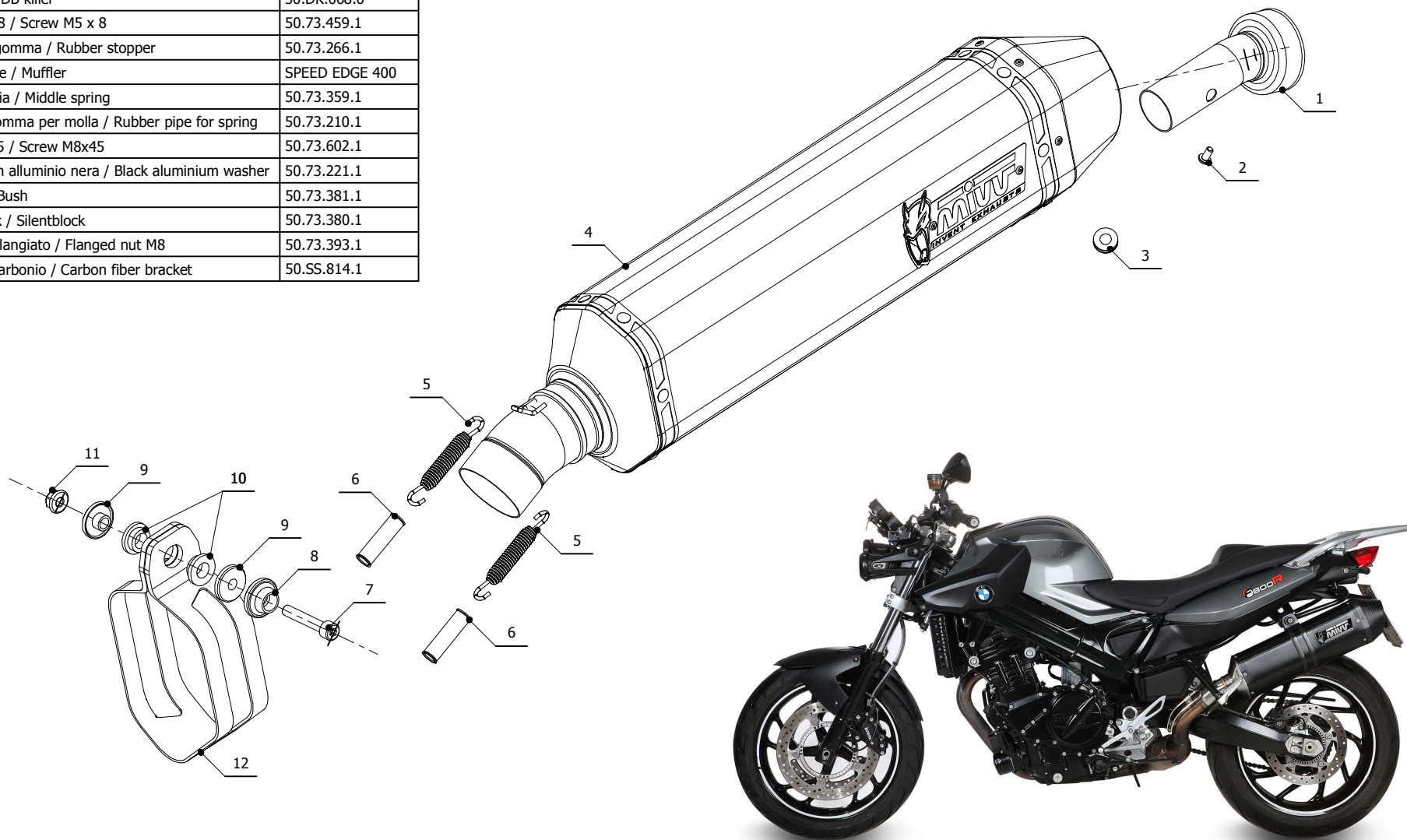
**LINE** SPORT

**MUFFLER** SPEED EDGE

**SCHEMATIC**

**ELENCO PARTI / PARTS LIST**

#	QTÀ / QTY	DESCRIZIONE / DESCRIPTION	CODICE / CODE
1	1	DB killer / DB killer	50.DK.068.0
2	1	Vite M5 x 8 / Screw M5 x 8	50.73.459.1
3	1	Tappo in gomma / Rubber stopper	50.73.266.1
4	1	Silenziatore / Muffler	SPEED EDGE 400
5	2	Molla media / Middle spring	50.73.359.1
6	2	Tubo in gomma per molla / Rubber pipe for spring	50.73.210.1
7	1	Vite M8x45 / Screw M8x45	50.73.602.1
8	1	Rondella in alluminio nera / Black aluminium washer	50.73.221.1
9	2	Boccola / Bush	50.73.381.1
10	2	Silentblock / Silentblock	50.73.380.1
11	1	Dado M8 flangiato / Flanged nut M8	50.73.393.1
12	1	Staffa in carbonio / Carbon fiber bracket	50.SS.814.1



**APPLICAZIONI / APPLICATIONS**

CODICE / CODE	TUBO / PIPE	SILENZIATORE / MUFFLER	FASCETTA / CLAMP
B.008.LRX	INOX / ST. STEEL	INOX (COPPE CARBONIO) / ST. STEEL (CARBON CAPS)	CARBONIO / CARBON FIBER
B.008.LRB	INOX / ST. STEEL	STEEL BLACK	CARBONIO / CARBON FIBER