



MODEL BMW R 1150 GS

YEAR 1999-2003

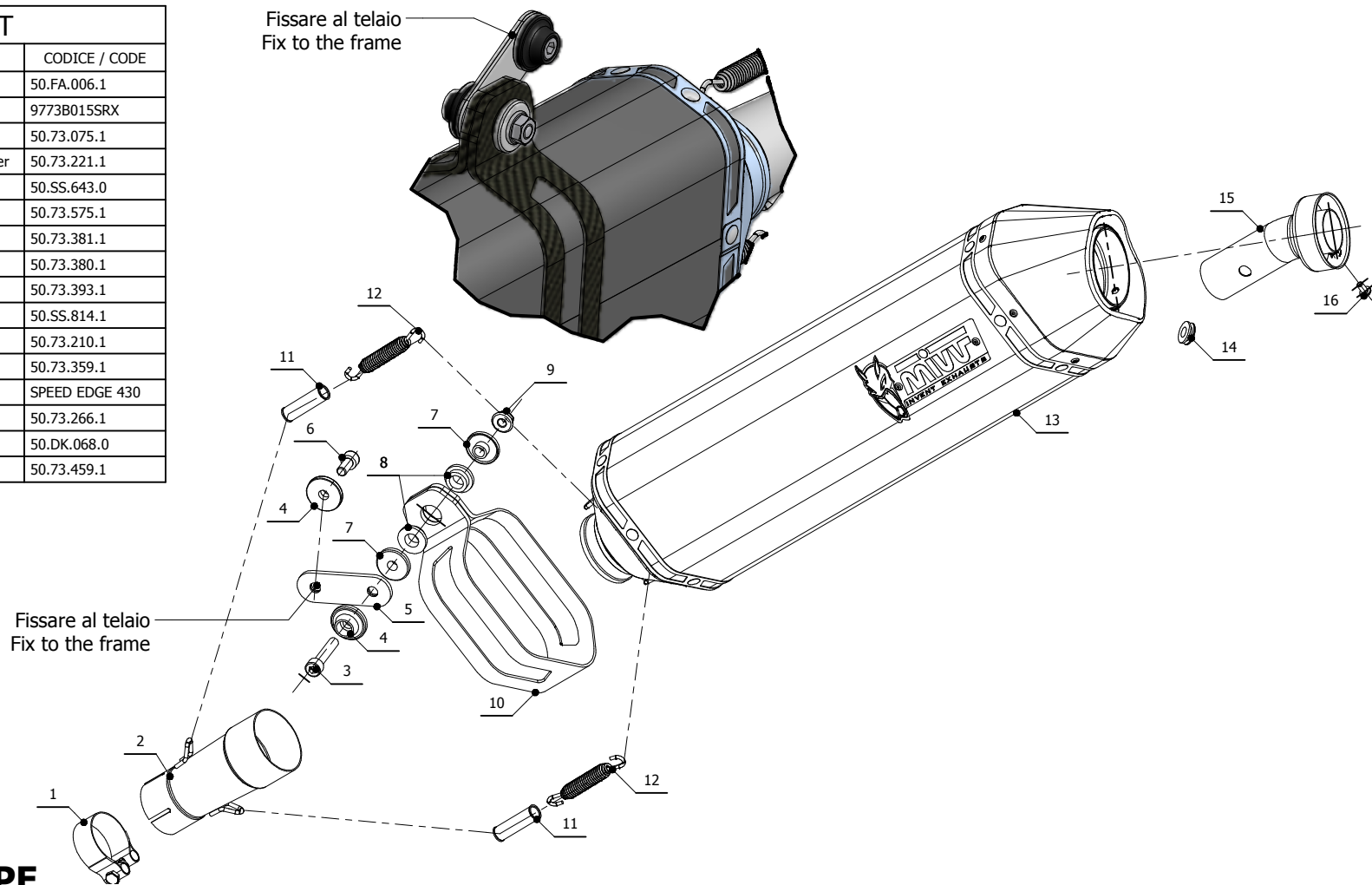
LINE SPORT

MUFFLER SPEED EDGE

SCHEMATIC

ELENCO PARTI / PARTS LIST

#	QTÀ / QTY	DESCRIZIONE / DESCRIPTION	CODICE / CODE
1	1	Fascetta Ø 44/47 mm / Pipe clamp Ø 44/47 mm	50.FA.006.1
2	1	Tubo di raccordo / Link pipe	9773B015SRX
3	1	Vite M8x40 / Screw M8x40	50.73.075.1
4	2	Rondella in alluminio nera / Black aluminium washer	50.73.221.1
5	1	Staffa / Bracket	50.SS.643.0
6	1	Vite M8x16 / Screw M8x16	50.73.575.1
7	2	Boccola / Bush	50.73.381.1
8	2	Silentblock / Silentblock	50.73.380.1
9	1	Dado M8 flangiato / Flanged nut M8	50.73.393.1
10	1	Staffa in carbonio / Carbon fiber bracket	50.SS.814.1
11	2	Tubo in gomma per molla / Rubber pipe for spring	50.73.210.1
12	2	Molla media / Middle spring	50.73.359.1
13	1	Silenziatore / Muffler	SPEED EDGE 430
14	1	Tappo in gomma / Rubber stopper	50.73.266.1
15	1	DB killer / DB killer	50.DK.068.0
16	1	Vite M5 x 8 / Screw M5 x 8	50.73.459.1



OPTIONAL PARTS
B.015.C1 - NO KAT PIPE



APPLICAZIONI / APPLICATIONS

CODICE / CODE	TUBO / PIPE	SILENZIATORE / MUFFLER	FASCETTA / CLAMP
B.015.LRX	INOX / ST. STEEL	INOX (COPPE CARBONIO) / ST. STEEL (CARBON CAPS)	CARBONIO / CARBON FIBER
B.015.LRB	INOX / ST. STEEL	STEEL BLACK	CARBONIO / CARBON FIBER