



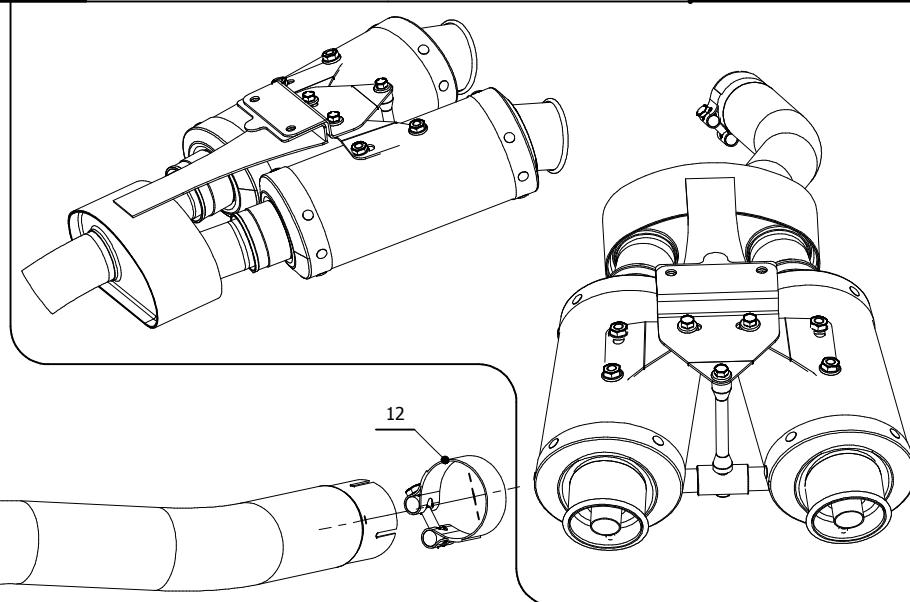
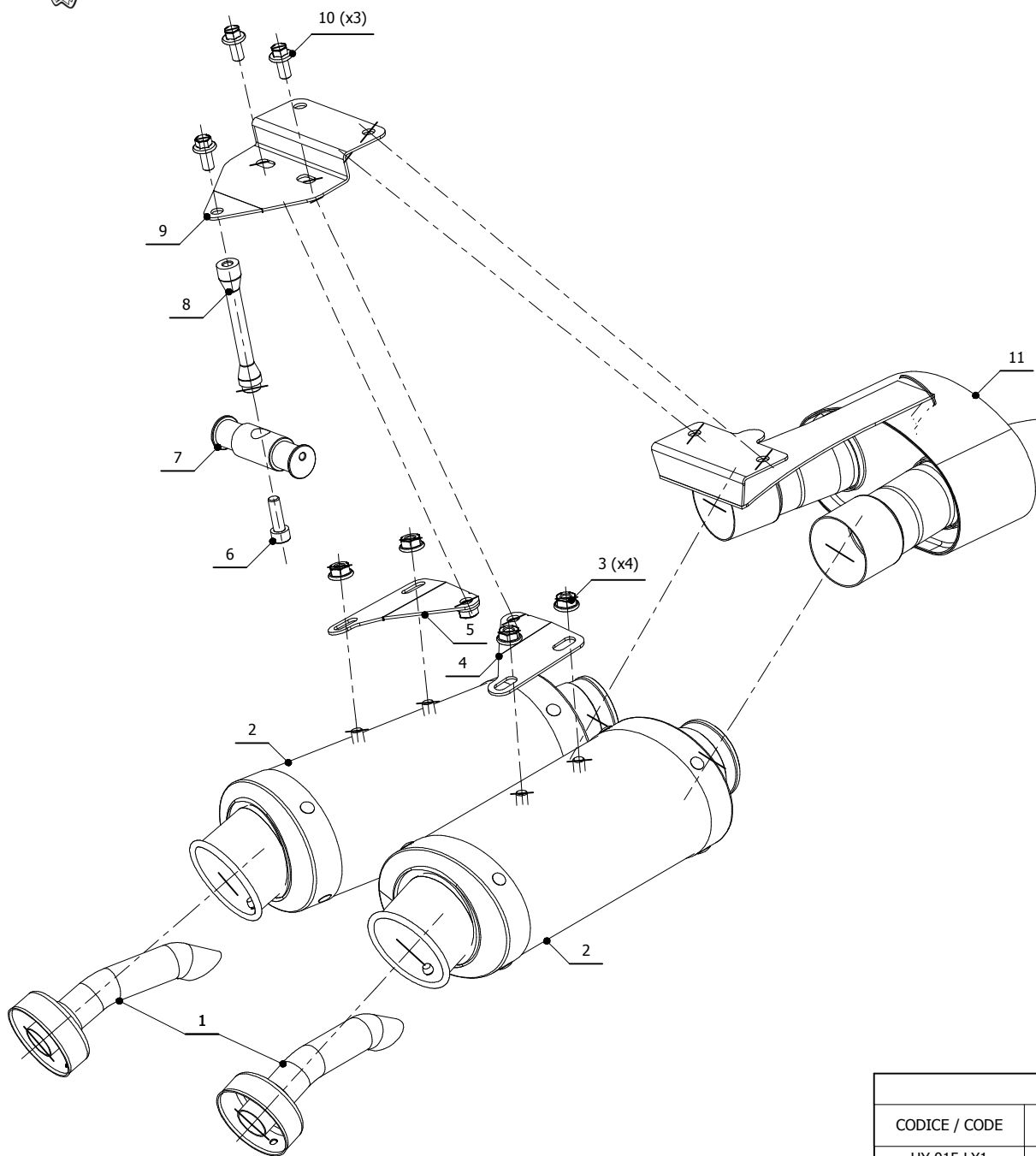
MODEL YAMAHA FZ6 / FZ6 FAZER

YEAR 2004-->

LINE SPORT

MUFFLER OVAL

SCHEMATIC



ELENCO PARTI / PARTS LIST

#	QTÀ / QTY	DESCRIZIONE / DESCRIPTION	CODICE / CODE
1	2	DB killer / DB killer	50.DK.021.0
2	2	Silenziatore / Muffler	OVAL
3	4	Dado 8 MA flangiato / Flanged nut 8 MA	50.73.052.1
4	1	Staffa destra / Right bracket	50.SS.078.0
5	1	Staffa sinistra / Left bracket	50.SS.079.0
6	1	Vite M8x25 / Screw M8x25	50.73.064.1
7	1	Montante orizzontale in alluminio / Aluminium horizontal rod	50.SS.080.1
8	1	Montante verticale in alluminio / Aluminium vertical rod	50.SS.081.1
9	1	Staffa / Bracket	50.SS.077.1
10	3	Vite M8x16 / Screw M8x16	50.73.006.1
11	1	Tubo compensatore / Compensator pipe	9873UY015S3A
12	1	Fascetta Ø 48/51 mm / Pipe clamp Ø 48/51 mm	50.FA.007.1

APPLICAZIONI / APPLICATIONS

CODICE / CODE	TUBO / PIPE	SILENZIATORE / MUFFLER	FASCETTA / CLAMP
UY.015.LX1	INOX / ST.STEEL	INOX / ST.STEEL	---