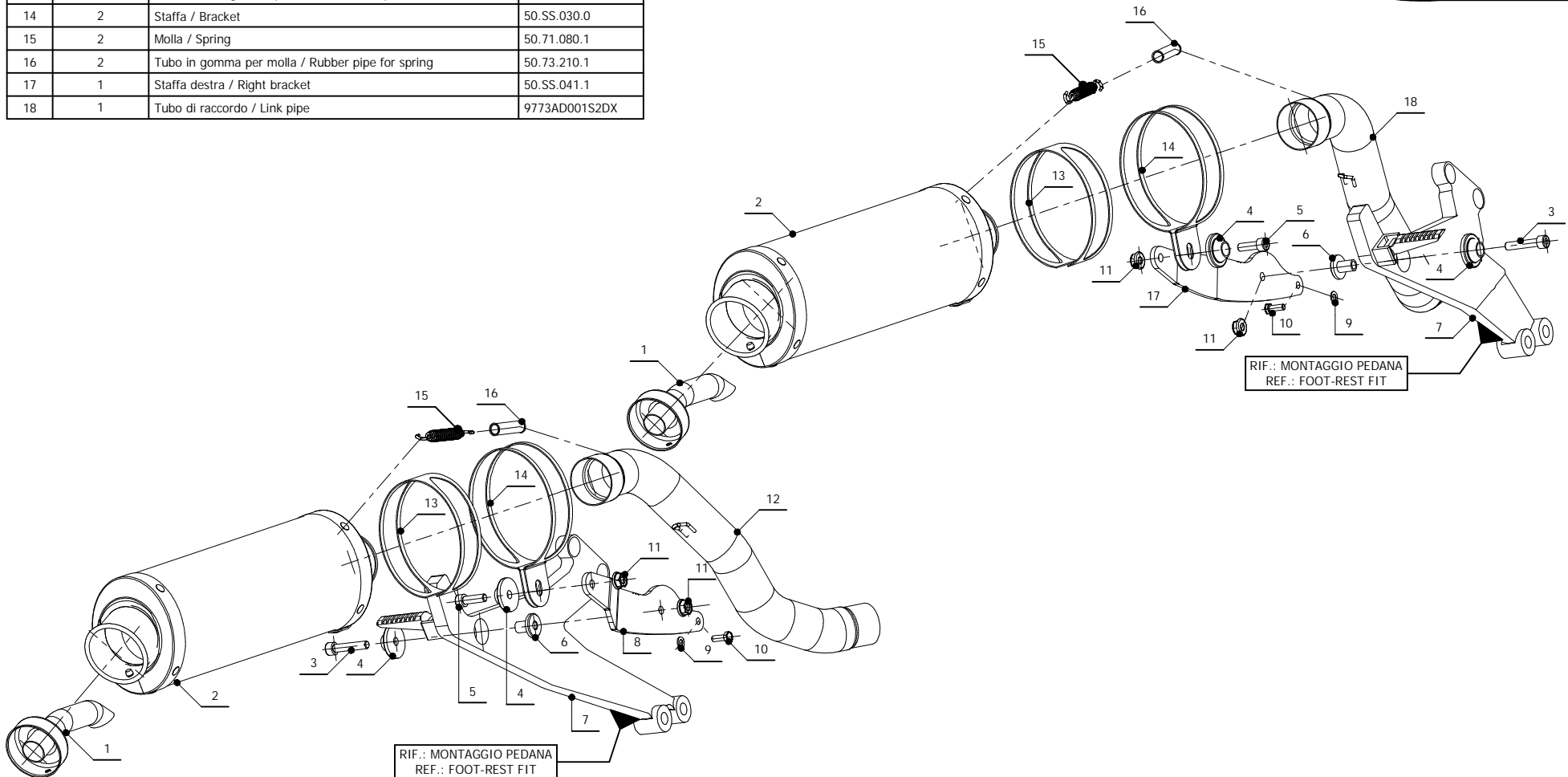
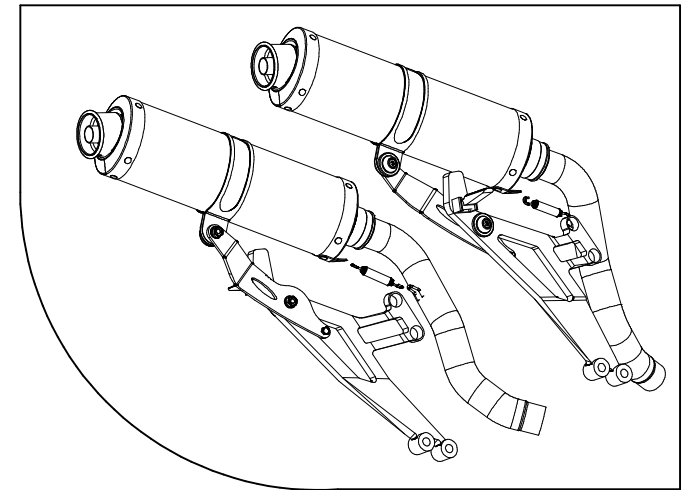


ELENCO PARTI / PARTS LIST

#	QTA / QTY	DESCRIZIONE / DESCRIPTION	CODICE / CODE
1	2	DB killer / DB killer	50.DK.021.0
2	2	Silenziatore / Muffler	OVAL
3	2	Vite M8x40 / Screw M8x40	50.73.075.1
4	4	Rondella in alluminio / Aluminium washer	50.73.063.1
5	2	Vite M8x25 / Screw M8x25	50.73.064.1
6	2	Bussola in alluminio / Aluminium bush	50.73.081.1
7	2	Pedana / Foot-rest	
8	1	Staffa sinistra / Left bracket	50.SS.042.1
9	2	Rondella M6 / Washer M6	50.72.027.1
10	2	Vite M6x16 / Screw M6x16	50.73.087.1
11	4	Dado 8 MA flangiato / Flanged nut 8 MA	50.73.052.1
12	1	Tubo di raccordo / Link pipe	9773AD001S2SX
13	2	Protezione in gomma per staffa / Rubber protection for bracket	50.73.077.1
14	2	Staffa / Bracket	50.SS.030.0
15	2	Molla / Spring	50.71.080.1
16	2	Tubo in gomma per molla / Rubber pipe for spring	50.73.210.1
17	1	Staffa destra / Right bracket	50.SS.041.1
18	1	Tubo di raccordo / Link pipe	9773AD001S2DX



ELENCO PARTI / PARTS LIST

#	QTA / QTY	DESCRIZIONE / DESCRIPTION	CODICE / CODE
1	1	Pedana / Foot-rest	
2	2	Vite M10x60 / Screw M10x60	50.73.135.1
3	2	Rondella alluminio / Aluminium washer	50.73.120.1
4	2	Bussola in alluminio / Aluminium bush	50.73.122.1
5	2	Distanziale in alluminio / Aluminium spacer	50.SS.108.1
6	2	Distanziale in alluminio / Aluminium spacer	50.SS.056.1
7	2	Bussola in alluminio / Aluminium bush	50.73.121.1
8	2	Rondella in alluminio / Aluminium washer	50.73.063.1
9	2	Vite M8x60 / Screw M8x60	50.73.078.1

