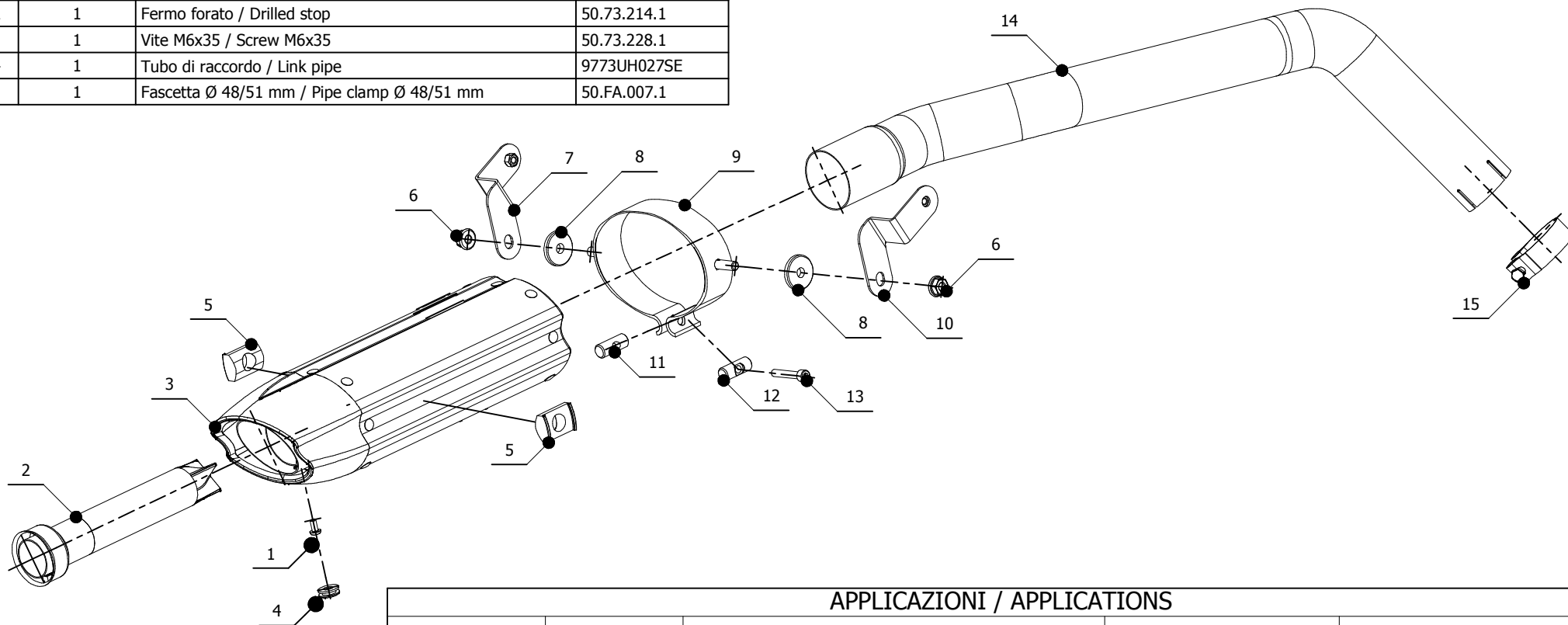


**ELENCO PARTI / PARTS LIST**

| #  | QTÀ / QTY | DESCRIZIONE / DESCRIPTION                   | CODICE / CODE |
|----|-----------|---|---------------|
| 1  | 1         | Vite M5 x 8 / Screw M5 x 8                  | 50.73.233.1   |
| 2  | 1         | Db Killer forato / Drilled DB killer        | 50.DK.038.0   |
| 3  | 1         | Silenziatore / Muffler                      | SUONO         |
| 4  | 1         | Tappo in gomma / Rubber stopper             | 50.73.266.1   |
| 5  | 2         | Tassello grande / Rubber big block          | 50.73.203.1   |
| 6  | 2         | Dado 8 MA flangiato / Flanged nut 8 MA      | 50.73.052.1   |
| 7  | 1         | Staffa / Bracket                            | 50.SS.231.1   |
| 8  | 2         | Distanziale in alluminio / Aluminium spacer | 50.73.124.1   |
| 9  | 1         | Staffa in carbonio / Carbon fiber bracket   | 50.SS.184.1   |
| 10 | 1         | Staffa / Bracket                            | 50.SS.232.1   |
| 11 | 1         | Fermo filettato / Threaded stop             | 50.73.213.1   |
| 12 | 1         | Fermo forato / Drilled stop                 | 50.73.214.1   |
| 13 | 1         | Vite M6x35 / Screw M6x35                    | 50.73.228.1   |
| 14 | 1         | Tubo di raccordo / Link pipe                | 9773UH027SE   |
| 15 | 1         | Fascetta Ø 48/51 mm / Pipe clamp Ø 48/51 mm | 50.FA.007.1   |


**APPLICAZIONI / APPLICATIONS**

| CODICE / CODE | TUBO / PIPE | SILENZIATORE / MUFFLER                         | FASCETTA / CLAMP        | CODICE OMOL. / HOMOL. CODE |
|---------------|-------------|--|-------------------------|----------------------------|
| UH.037.L8     | TITANIUM    | CARBONIO E TITANIO / CARBON FIBER AND TITANIUM | CARBONIO / CARBON FIBER | ME021 e9 1213              |