



MODEL TRIUMPH SPEED TRIPLE

YEAR 2011-2015

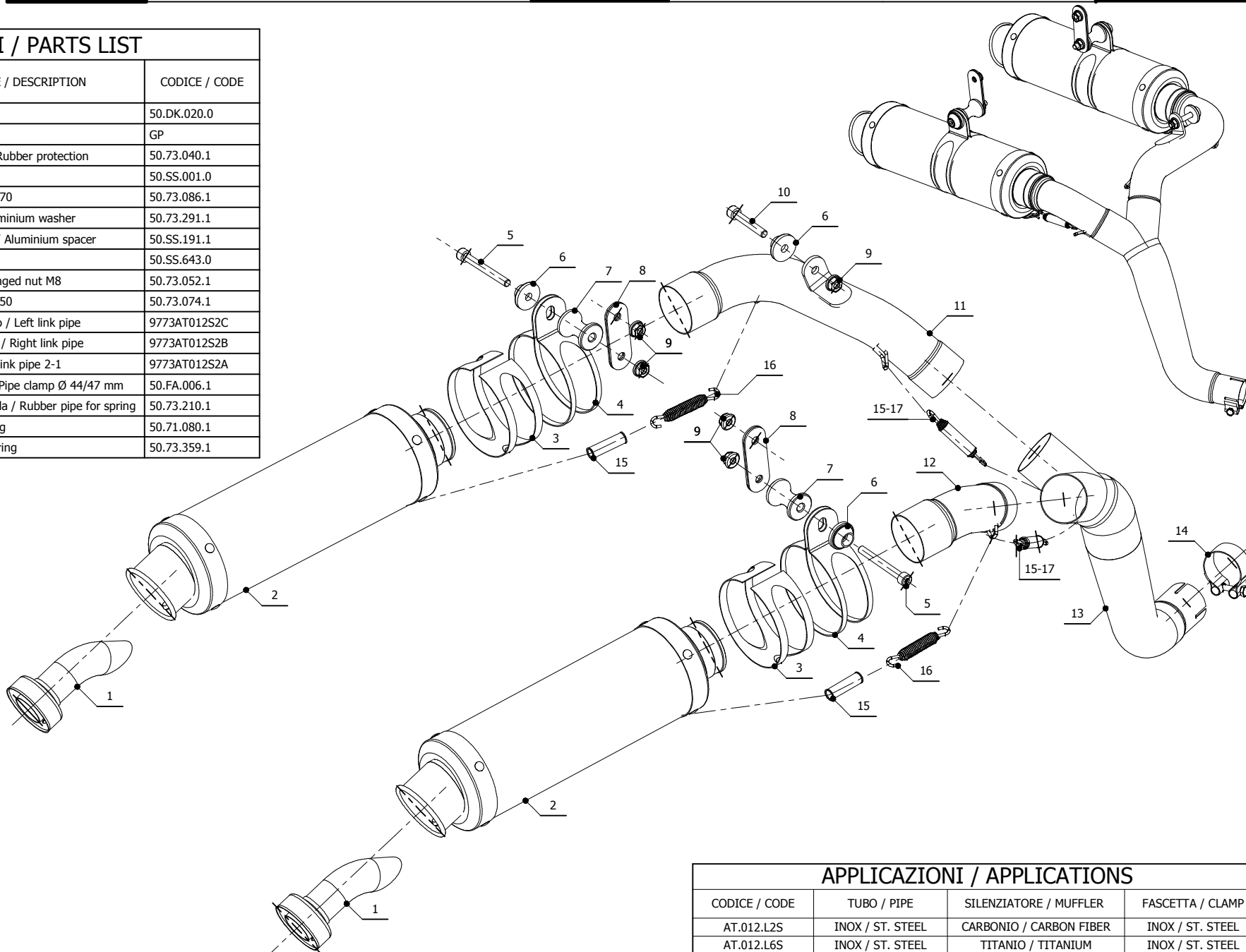
LINE SPORT

MUFFLER GP

SCHEMATIC

ELENCO PARTI / PARTS LIST

#	QTÀ / QTY	DESCRIZIONE / DESCRIPTION	CODICE / CODE
1	2	DB killer / DB killer	50.DK.020.0
2	2	Silenziatore / Muffler	GP
3	2	Protezione in gomma / Rubber protection	50.73.040.1
4	2	Staffa / Bracket	50.SS.001.0
5	2	Vite M8x70 / Screw M8x70	50.73.086.1
6	3	Rondella alluminio / Aluminium washer	50.73.291.1
7	2	Distanziale in alluminio / Aluminium spacer	50.SS.191.1
8	2	Staffa / Bracket	50.SS.643.0
9	5	Dado M8 flangiato / Flanged nut M8	50.73.052.1
10	1	Vite M8x50 / Screw M8x50	50.73.074.1
11	1	Tubo di raccordo sinistro / Left link pipe	9773AT012S2C
12	1	Tubo di raccordo destro / Right link pipe	9773AT012S2B
13	1	Tubo di raccordo 2-1 / Link pipe 2-1	9773AT012S2A
14	1	Fascetta Ø 44/47 mm / Pipe clamp Ø 44/47 mm	50.FA.006.1
15	4	Tubo in gomma per molla / Rubber pipe for spring	50.73.210.1
16	2	Molla lunga / Long spring	50.71.080.1
17	2	Molla media / Middle spring	50.73.359.1



APPLICAZIONI / APPLICATIONS

CODICE / CODE	TUBO / PIPE	SILENZIATORE / MUFFLER	FASCETTA / CLAMP
AT.012.L2S	INOX / ST. STEEL	CARBONIO / CARBON FIBER	INOX / ST. STEEL
AT.012.L6S	INOX / ST. STEEL	TITANIO / TITANIUM	INOX / ST. STEEL
AT.012.LXB	INOX / ST. STEEL	STEEL BLACK	INOX / ST. STEEL