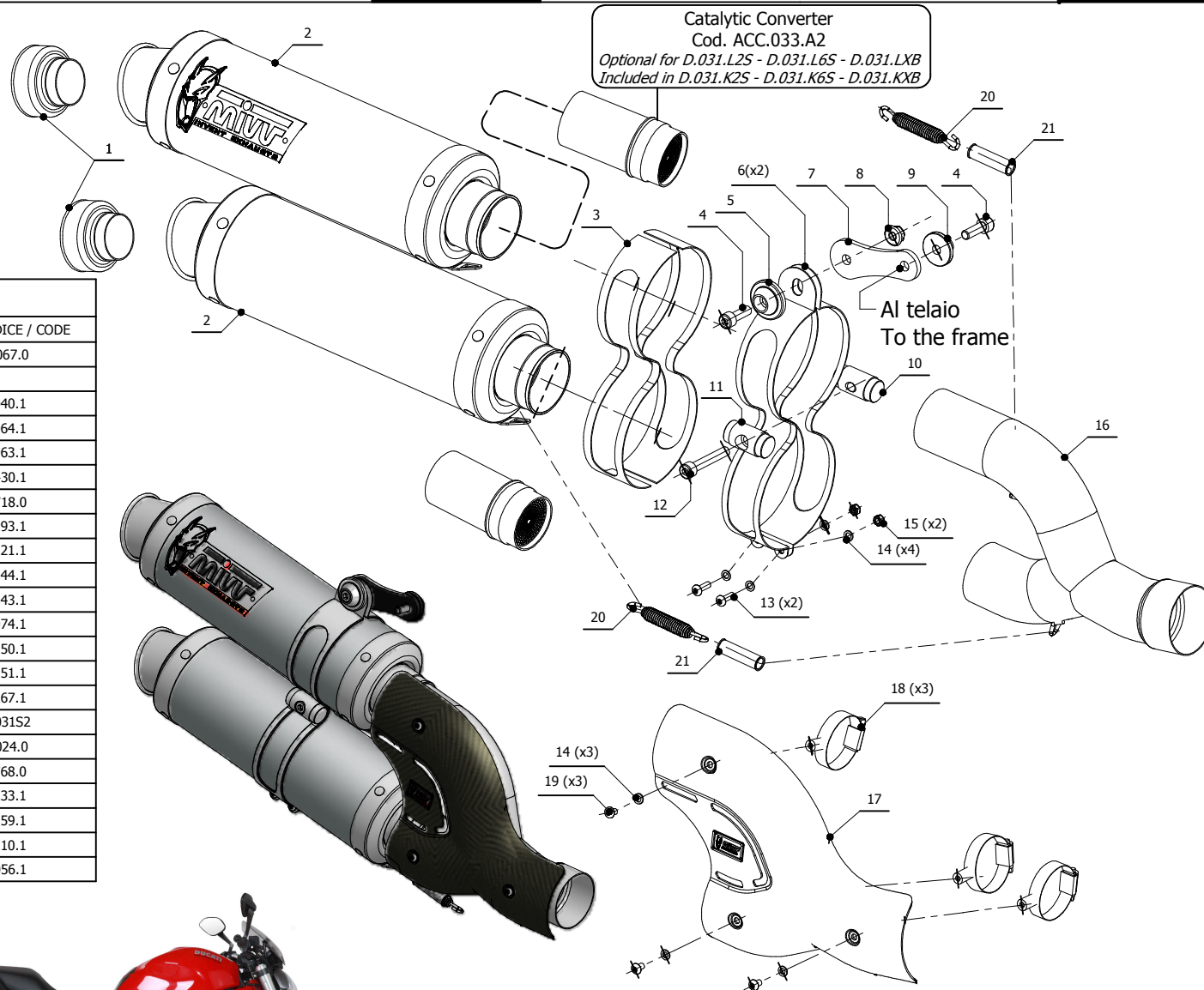
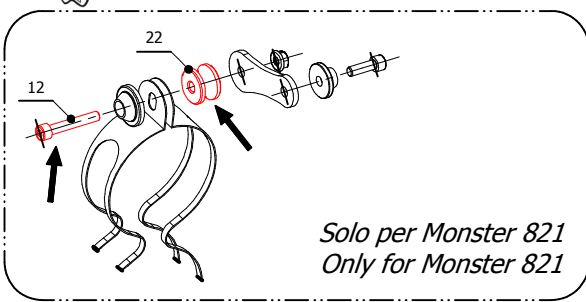




MODEL DUCATI MONSTER 1200
DUCATI MONSTER 821
LINE SLIP ON

YEAR 2014 - 2016
2015 - 2016
MUFFLER GP

SCHEMATIC



ELENCO PARTI / PARTS LIST

| # | QTÀ / QTY | DESCRIZIONE / DESCRIPTION | CODICE / CODE |
|----|-----------|---|---------------|
| 1 | 2 | DB killer / DB killer | 50.DK.067.0 |
| 2 | 2 | Silenziatore / Muffler | GP |
| 3 | 2 | Protezione in gomma / Rubber protection | 50.73.040.1 |
| 4 | 2 | Vite M8x25 / Screw M8x25 | 50.73.064.1 |
| 5 | 1 | Rondella in alluminio / Aluminium washer | 50.73.063.1 |
| 6 | 2 | Staffa / Bracket | 50.SS.430.1 |
| 7 | 1 | Staffa / Bracket | 50.SS.718.0 |
| 8 | 1 | Dado M8 flangiato / Flanged nut M8 | 50.73.393.1 |
| 9 | 1 | Rondella in alluminio nera / Black aluminium washer | 50.73.221.1 |
| 10 | 1 | Bussola filettata / Threaded bush | 50.73.344.1 |
| 11 | 1 | Bussola forata / Drilled bush | 50.73.343.1 |
| 12 | 2 | Vite M8x50 / Screw M8x50 | 50.73.074.1 |
| 13 | 2 | Vite M5 x 16 / Screw M5 x 16 | 50.73.350.1 |
| 14 | 7 | Rondella M5 / Washer M5 | 50.73.351.1 |
| 15 | 2 | Dado M5 / M5 nut | 50.73.267.1 |
| 16 | 1 | Tube di raccordo / Link pipe | 9773D031S2 |
| 17 | 1 | Cover in carbonio / Carbon cover | 50.CR.024.0 |
| 18 | 3 | Fascetta con bussola / Pipe clamp with bush | 50.73.768.0 |
| 19 | 3 | Vite M5 x 8 / Screw M5 x 8 | 50.73.233.1 |
| 20 | 2 | Molla media / Middle spring | 50.73.359.1 |
| 21 | 2 | Gommino per molla / Rubber for spring | 50.73.210.1 |
| 22 | 1 | Distanziale in alluminio / Aluminium spacer (Øe.30 Øi.8,5 h.20) | 50.SS.056.1 |



MONSTER 1200



MONSTER 821

APPLICAZIONI / APPLICATIONS

| CODICE / CODE | SILENZIATORE / MUFFLER | TUBO / PIPE | FASCETTA / CLAMP | NOTE |
|-------------------------------------|--|------------------|------------------|-------------------------------------|
| D.031.L2S D.031.L6S D.031.LXB | CARBONIO / CARBON FIBERTITANIO / TITANIUMSTEEL BLACK | INOX / ST. STEEL | INOX / ST. STEEL | CATALYTIC CONVERTER NOT INCLUDED |
| D.031.K2S D.031.K6S D.031.KXB | CARBONIO / CARBON FIBERTITANIO / TITANIUMSTEEL BLACK | INOX / ST. STEEL | INOX / ST. STEEL | CATALYTIC CONVERTER INCLUDED |