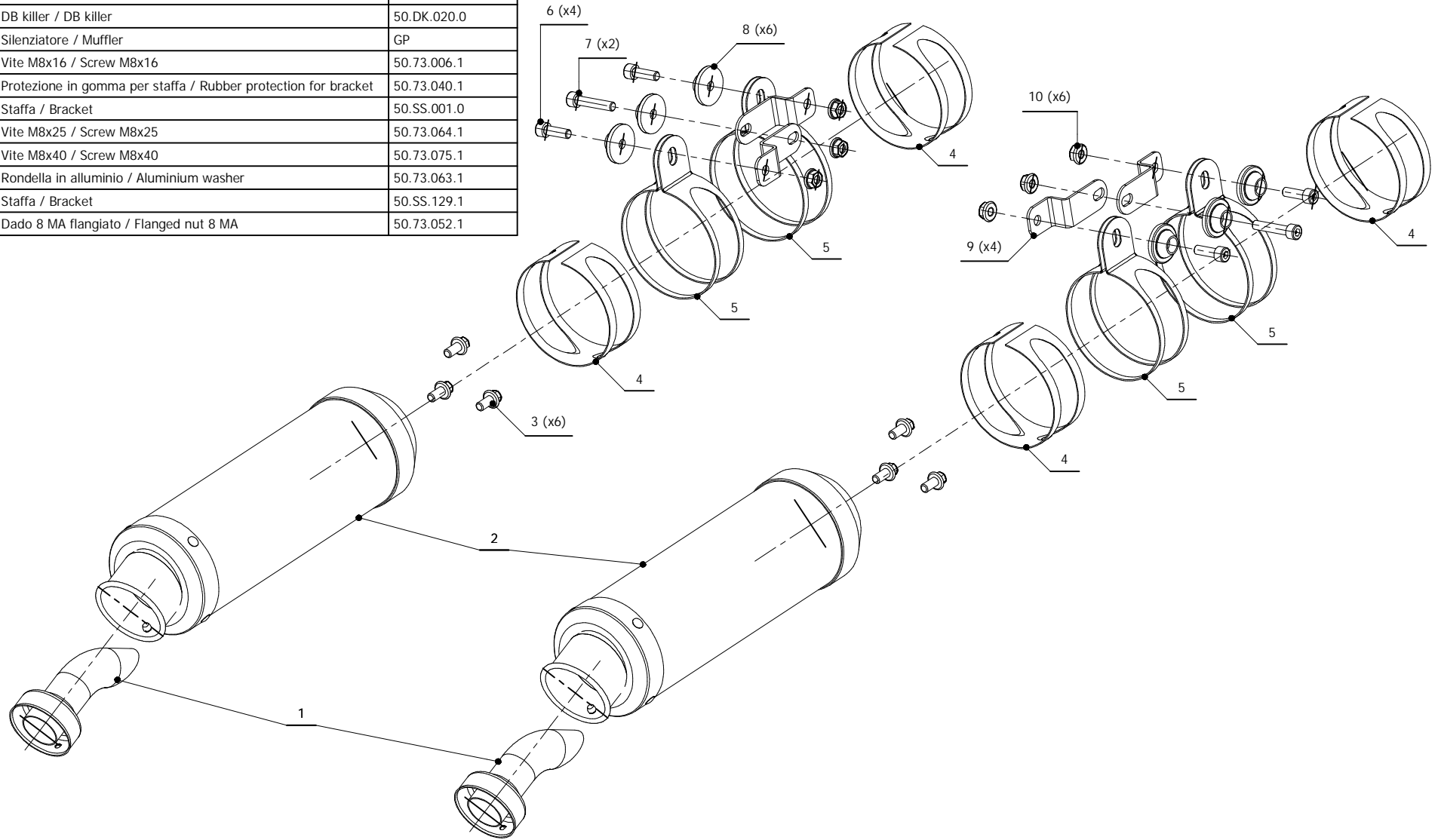


**ELENCO PARTI / PARTS LIST**

#	QTÀ / QTY	DESCRIZIONE / DESCRIPTION	CODICE / CODE
1	2	DB killer / DB killer	50.DK.020.0
2	2	Silenziatore / Muffler	GP
3	6	Vite M8x16 / Screw M8x16	50.73.006.1
4	4	Protezione in gomma per staffa / Rubber protection for bracket	50.73.040.1
5	4	Staffa / Bracket	50.SS.001.0
6	4	Vite M8x25 / Screw M8x25	50.73.064.1
7	2	Vite M8x40 / Screw M8x40	50.73.075.1
8	6	Rondella in alluminio / Aluminium washer	50.73.063.1
9	4	Staffa / Bracket	50.SS.129.1
10	6	Dado 8 MA flangiato / Flanged nut 8 MA	50.73.052.1


**APPLICAZIONI / APPLICATIONS**

CODICE / CODE	TUBO / PIPE	MUFFLER / SILENZIATORE	FASCETTA / CLAMP
KT.001.L2	INOX / STAINLESS STEEL	CARBONIO / CARBON FIBER	INOX / STAINLESS STEEL
KT.001.L6	INOX / STAINLESS STEEL	TITANIO / TITANIUM	INOX / STAINLESS STEEL