



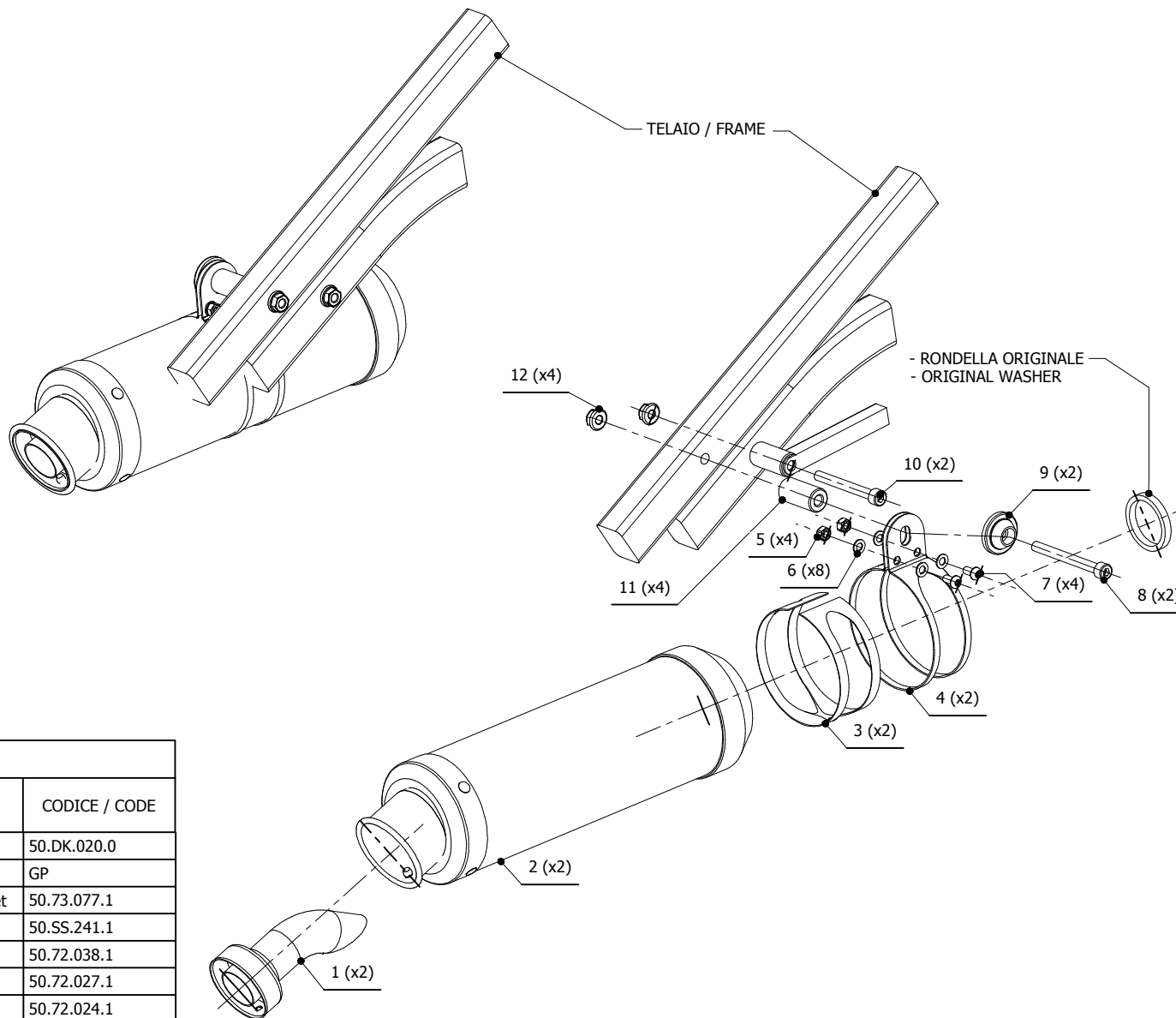
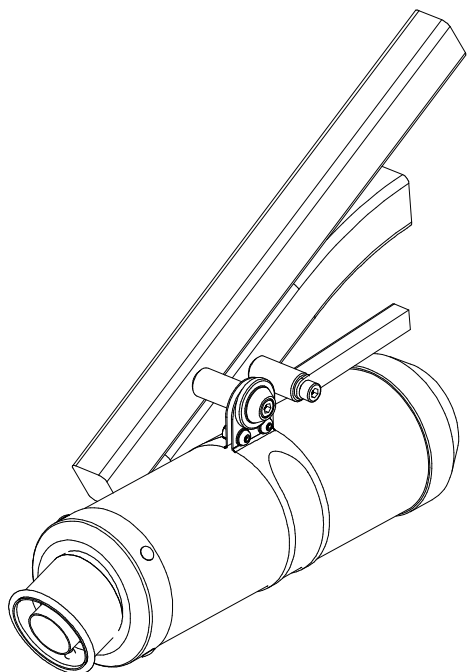
**MODEL** KTM LC8 990 SUPERMOTO  
KTM LC8 950 SUPERMOTO R

**YEAR** 2007-->  
2005-2006

**LINE** SPORT

**MUFFLER** GP

**SCHEMATIC**



**ELENCO PARTI / PARTS LIST**

#	QTÀ / QTY	DESCRIZIONE / DESCRIPTION	CODICE / CODE
1	2	DB killer / DB killer	50.DK.020.0
2	2	Silenziatore / Muffler	GP
3	2	Protezione in gomma per staffa / Rubber protection for bracket	50.73.077.1
4	2	Staffa / Bracket	50.SS.241.1
5	4	Dado M6 / Nut M6	50.72.038.1
6	8	Rondella M6 / Washer M6	50.72.027.1
7	4	Vite M6 x 12 / Screw M6 x 12	50.72.024.1
8	2	Vite M8x80 / Screw M8x80	50.73.072.1
9	2	Rondella in alluminio / Aluminium washer	50.73.063.1
10	2	Vite M8x70 / Screw M8x70	50.73.086.1
11	4	Distanziale in alluminio / Aluminium spacer	50.SS.074.1
12	4	Dado 8 MA flangiato / Flanged nut 8 MA	50.73.052.1

**APPLICAZIONI / APPLICATIONS**

CODICE / CODE	TUBO / PIPE	SILENZIATORE / MUFFLER	FASCETTA / CLAMP
KT.005.L2	INOX / ST. STEEL	CARBONIO / CARBON FIBER	INOX / ST. STEEL
KT.005.L6	INOX / ST. STEEL	TITANIO / TITANIUM	INOX / ST. STEEL