



MODEL DUCATI MONSTER S4R
DUCATI MONSTER S2R 800
DUCATI MONSTER S2R 1000

LINE SPORT

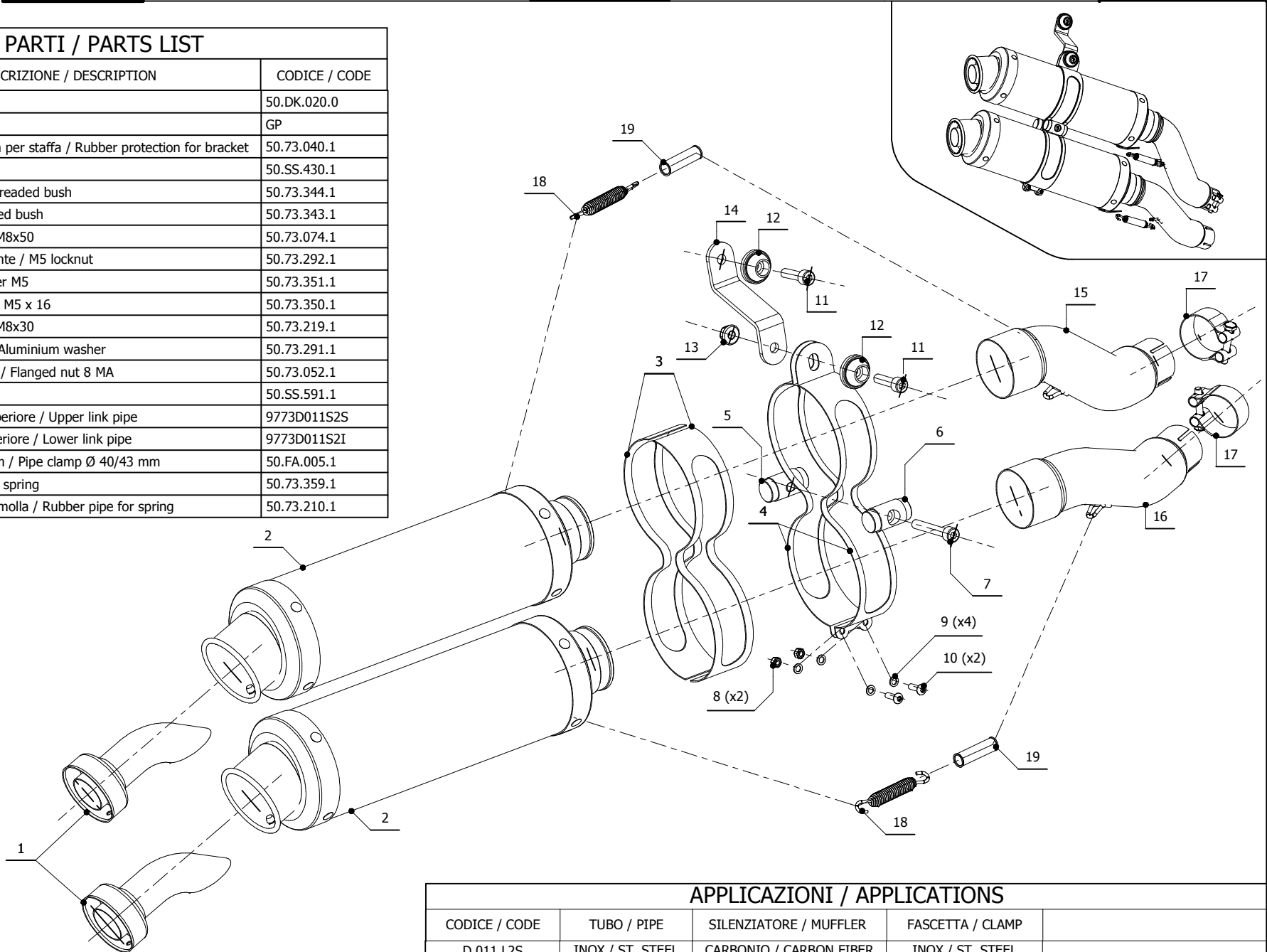
YEAR 2003-2005
2006-->
2006-->

MUFFLER GP

SCHEMATIC

ELENCO PARTI / PARTS LIST

#	QTÀ / QTY	DESCRIZIONE / DESCRIPTION	CODICE / CODE
1	2	DB killer / DB killer	50.DK.020.0
2	2	Silenziatore / Muffler	GP
3	2	Protezione in gomma per staffa / Rubber protection for bracket	50.73.040.1
4	2	Staffa / Bracket	50.SS.430.1
5	1	Bussola filettata / Threaded bush	50.73.344.1
6	1	Bussola forata / Drilled bush	50.73.343.1
7	1	Vite M8x50 / Screw M8x50	50.73.074.1
8	2	Dado M5 autobloccante / M5 locknut	50.73.292.1
9	4	Rondella M5 / Washer M5	50.73.351.1
10	2	Vite M5 x 16 / Screw M5 x 16	50.73.350.1
11	2	Vite M8x30 / Screw M8x30	50.73.219.1
12	2	Rondella alluminio / Aluminium washer	50.73.291.1
13	1	Dado 8 MA flangiato / Flanged nut 8 MA	50.73.052.1
14	1	Staffa / Bracket	50.SS.591.1
15	1	Tubo di raccordo superiore / Upper link pipe	9773D011S2S
16	1	Tubo di raccordo inferiore / Lower link pipe	9773D011S2I
17	2	Fascetta Ø 40/43 mm / Pipe clamp Ø 40/43 mm	50.FA.005.1
18	2	Molla media / Middle spring	50.73.359.1
19	2	Tubo in gomma per molla / Rubber pipe for spring	50.73.210.1



APPLICAZIONI / APPLICATIONS

CODICE / CODE	TUBO / PIPE	SILENZIATORE / MUFFLER	FASCETTA / CLAMP
D.011.L2S	INOX / ST. STEEL	CARBONIO / CARBON FIBER	INOX / ST. STEEL
D.011.L6S	INOX / ST. STEEL	TITANIO / TITANIUM	INOX / ST. STEEL