



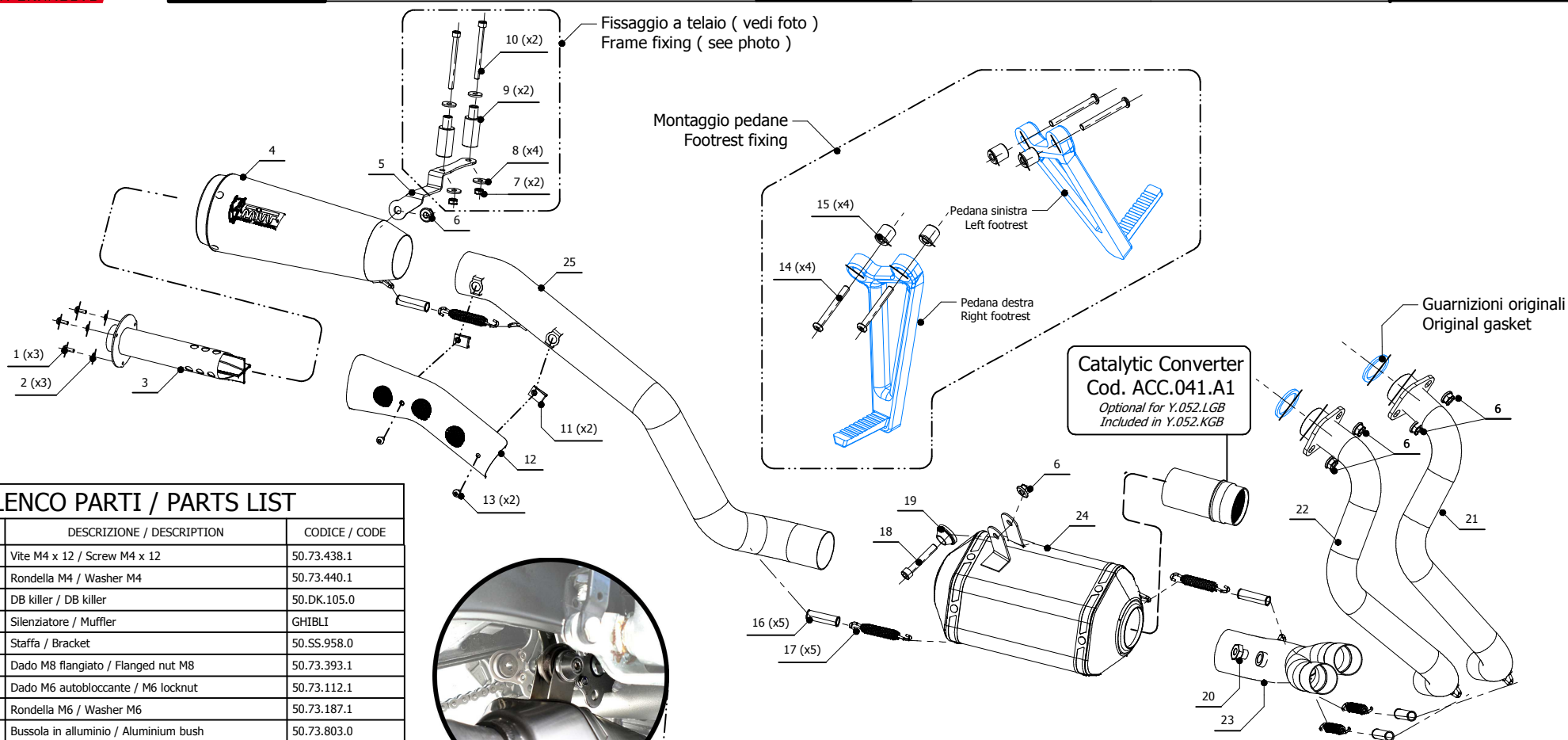
**MODEL** YAMAHA XSR 700

**YEAR** 2016

**LINE** FULL SYSTEM

**MUFFLER** GHIBLI

**SCHEMATIC**



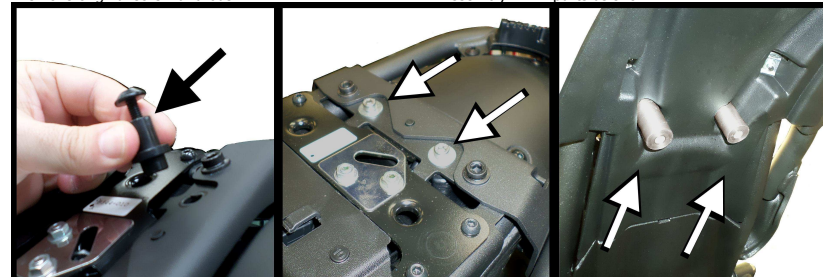
**ELENCO PARTI / PARTS LIST**

#	QTÀ / QTY	DESCRIZIONE / DESCRIPTION	CODICE / CODE
1	3	Vite M4 x 12 / Screw M4 x 12	50.73.438.1
2	3	Rondella M4 / Washer M4	50.73.440.1
3	1	DB killer / DB killer	50.DK.105.0
4	1	Silenziatore / Muffler	GHIBLI
5	1	Staffa / Bracket	50.SS.958.0
6	6	Dado M8 flangiato / Flanged nut M8	50.73.393.1
7	2	Dado M6 autobloccante / M6 locknut	50.73.112.1
8	4	Rondella M6 / Washer M6	50.73.187.1
9	2	Bussola in alluminio / Aluminium bush	50.73.803.0
10	2	Vite M6x70 / Screw M6x70	50.73.801.1
11	2	Dado rapido M5 / M5 Cage nut	50.73.674.1
12	1	Cover acciaio / Steel cover	50.CR.033.0
13	2	Vite M5 x 8 / Screw M5 x 8	50.73.233.1
14	4	Vite M8 x 70 / Screw M8 x 70	50.73.802.1
15	4	Distanziale in alluminio / Aluminium spacer	50.SS.073.1
16	5	Tubo in gomma per molla / Rubber pipe for spring	50.73.210.1
17	5	Molla media / Middle spring	50.73.359.1
18	1	Vite M8x50 / Screw M8x50	50.73.074.1
19	1	Rondella alluminio / Aluminium washer	50.73.291.1
20	1	Tappo per sonda lambda / Stopper for lambda probe	50.73.111.1
21	1	Collettore #1 / Down pipe #1	9773Y044C1A
22	1	Collettore #2 / Down pipe #2	9773Y044C1B
23	1	Tubo di raccordo 2-1 / Link pipe 2-1	9773Y052C1C
24	1	Silenziatore / Muffler	9873Y0465HXA
25	1	Tubo di raccordo / Link pipe	9773Y052SGX



Rimuovere vite e bussola originale  
Remove original screw and bush

Assemblare componenti MIVV come mostrato  
Assembly MIVV parts as shown



**APPLICAZIONI / APPLICATIONS**

CODICE / CODE	TUBO / PIPE	SILENZIATORE / MUFFLER	NOTE
Y.052.LGB	INOX / ST. STEEL	STEEL BLACK	CATALYTIC CONVERTER NOT INCLUDED
Y.052.KGB	INOX / ST. STEEL	STEEL BLACK	CATALYTIC CONVERTER INCLUDED