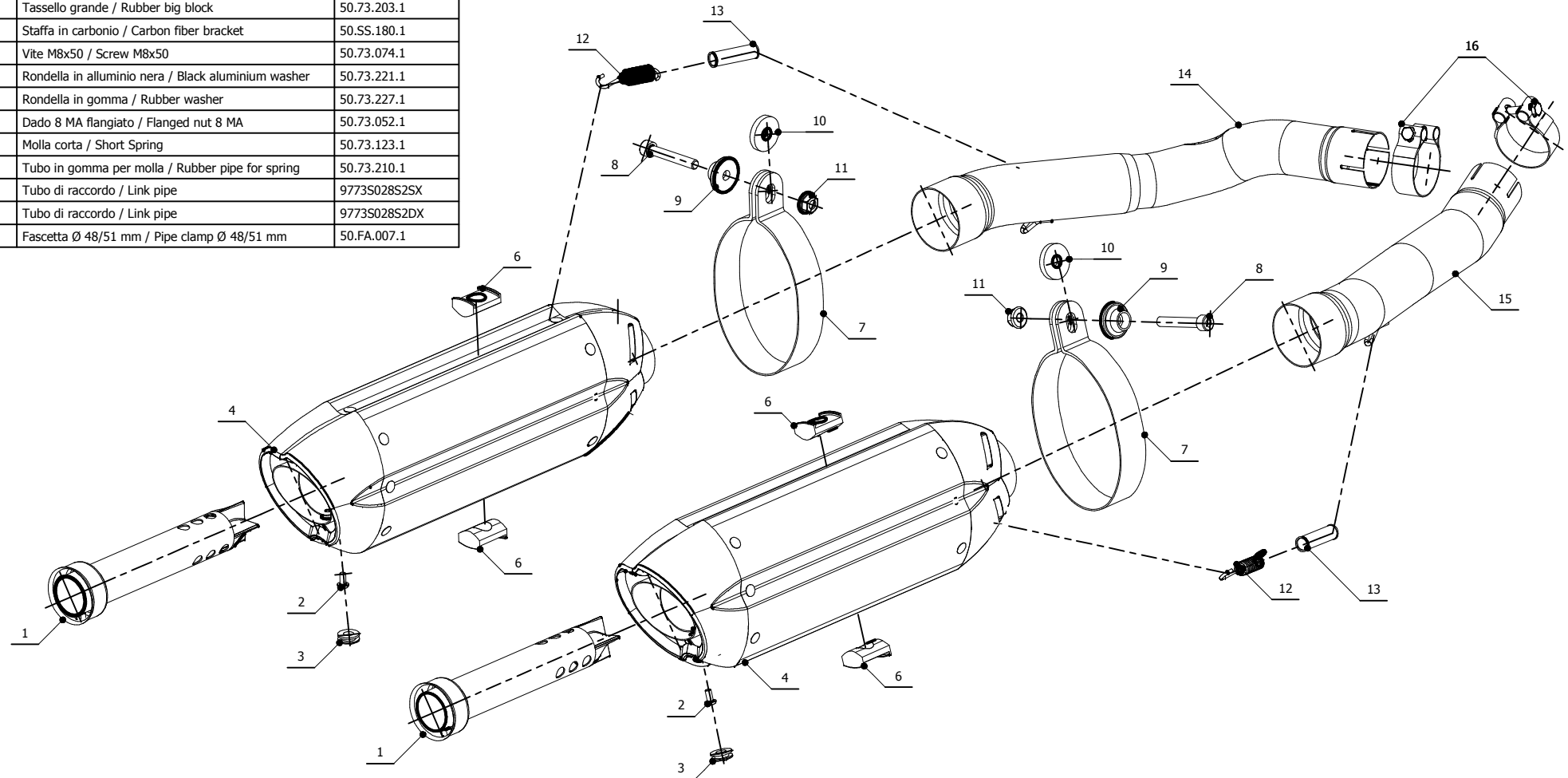


ELENCO PARTI / PARTS LIST

#	QTÀ / QTY	DESCRIZIONE / DESCRIPTION	CODICE / CODE
1	2	DB killer / DB killer	50.DK.037.0
2	2	Vite M5 x 8 / Screw M5 x 8	50.73.233.1
3	2	Tappo in gomma / Rubber stopper	50.73.266.1
4	2	Silenziatore / Muffler	SUONO
5			
6	4	Tassello grande / Rubber big block	50.73.203.1
7	2	Staffa in carbonio / Carbon fiber bracket	50.SS.180.1
8	2	Vite M8x50 / Screw M8x50	50.73.074.1
9	2	Rondella in alluminio nera / Black aluminium washer	50.73.221.1
10	2	Rondella in gomma / Rubber washer	50.73.227.1
11	2	Dado 8 MA flangiato / Flanged nut 8 MA	50.73.052.1
12	2	Molla corta / Short Spring	50.73.123.1
13	2	Tubo in gomma per molla / Rubber pipe for spring	50.73.210.1
14	1	Tubo di raccordo / Link pipe	9773S028S2SX
15	1	Tubo di raccordo / Link pipe	9773S028S2DX
16	2	Fascetta Ø 48/51 mm / Pipe clamp Ø 48/51 mm	50.FA.007.1


APPLICAZIONI / APPLICATIONS

CODICE / CODE	TUBO / PIPE	SILENZIATORE / MUFFLER	FASCETTA / CLAMP
S.028.L8	TITANIUM	CARBONIO E TITANIO / CARBON FIBER AND TITANIUM	CARBONIO / CARBON FIBER