



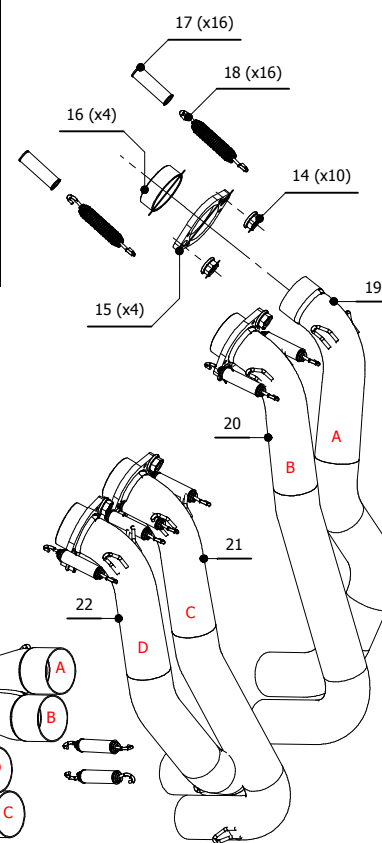
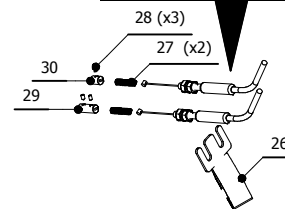
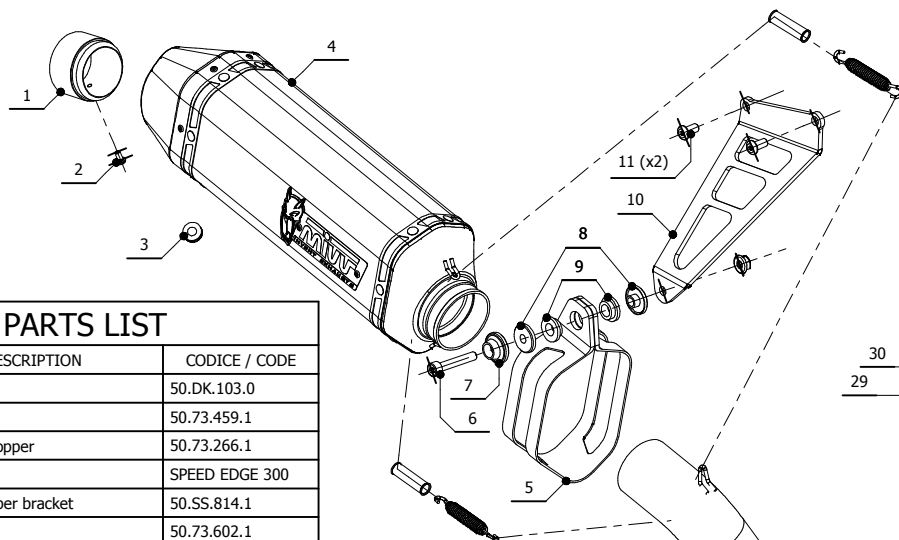
MODEL KAWASAKI ZX-10R

YEAR 2016 - 2017

LINE FULL SYSTEM

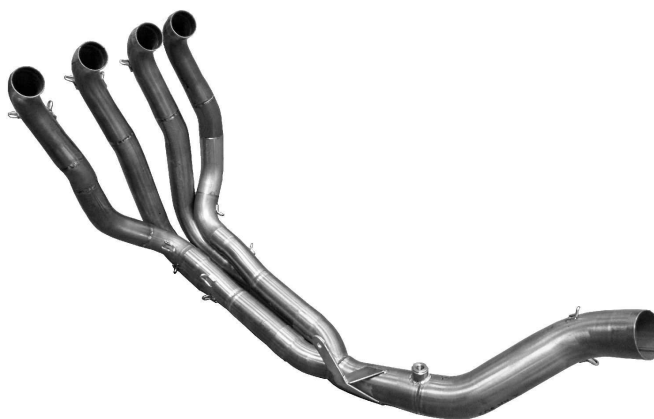
MUFFLER SPEED EDGE

SCHEMATIC



ELENCO PARTI / PARTS LIST

#	QTÀ / QTY	DESCRIZIONE / DESCRIPTION	CODICE / CODE
1	1	DB killer / DB killer	50.DK.103.0
2	1	Vite M5 x 8 / Screw M5 x 8	50.73.459.1
3	1	Tappo in gomma / Rubber stopper	50.73.266.1
4	1	Silenziatore / Muffler	SPEED EDGE 300
5	1	Staffa in carbonio / Carbon fiber bracket	50.SS.814.1
6	1	Vite M8x45 / Screw M8x45	50.73.602.1
7	2	Rondella in alluminio nera / Black aluminium washer	50.73.221.1
8	2	Boccola / Bush	50.73.381.1
9	2	Silentblock / Silentblock	50.73.380.1
10	1	Staffa / Bracket	50.SS.966.0
11	2	Vite M8 x 16 / Screw M8 x 16	50.73.098.1
12	1	Riduttore sonda lambda / Lambda probe reduction	50.73.340.1
13	1	Vite M8x60 / Screw M8x60	50.73.078.1
14	10	Dado M8 flangiato / Flanged nut M8	50.73.393.1
15	4	Flangia in alluminio / Aluminium flange	50.73.339.1
16	4	Boccola / Bush	50.73.809.1
17	16	Tubo in gomma per molla / Rubber pipe for spring	50.73.210.1
18	16	Molla media / Middle spring	50.73.359.1
19	1	Collettore #1 / Header pipe #1	97XKA0006A
20	1	Collettore #2 / Header pipe #2	97XKA0006B
21	1	Collettore #3 / Header pipe #3	97XKA0006C
22	1	Collettore #4 / Header pipe #4	97XKA0006D
23	1	Tubo di raccordo 2-1 / Link pipe 2-1	97XKA0005E
24	1	Tubo di raccordo 2-1 / Link pipe 2-1	97XKA0005F
25	1	Tubo di raccordo / Link pipe	97XKA0006G
26	1	Fascetta passacavi / fairlead clamp	50.SS.139.0
27	2	Molla / Spring	50.73.142.1
28	3	Grani M3 / Grub screws M3	50.73.140.1
29	1	Morsetti in alluminio / Aluminium clamps	50.73.138.1
30	1	Morsetti in alluminio / Aluminium clamps	50.73.139.1



APPLICAZIONI / APPLICATIONS

CODICE / CODE	SILENZIATORE / MUFFLER	TUBO / PIPE	FASCETTA / CLAMP
00.X.KA.0006.SRX	INOX (COPPE CARBONIO) / ST. STEEL (CARBON CAPS)	INOX / ST. STEEL	CARBONIO / CARBON FIBER
00.R.KA.0006.SRT	TITANIO (COPPE CARBONIO) / TITANIUM (CARBON CAPS)	TITANIO / TITANIUM	CARBONIO / CARBON FIBER